

4

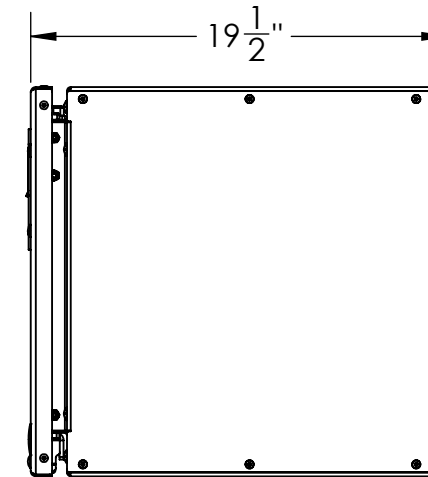
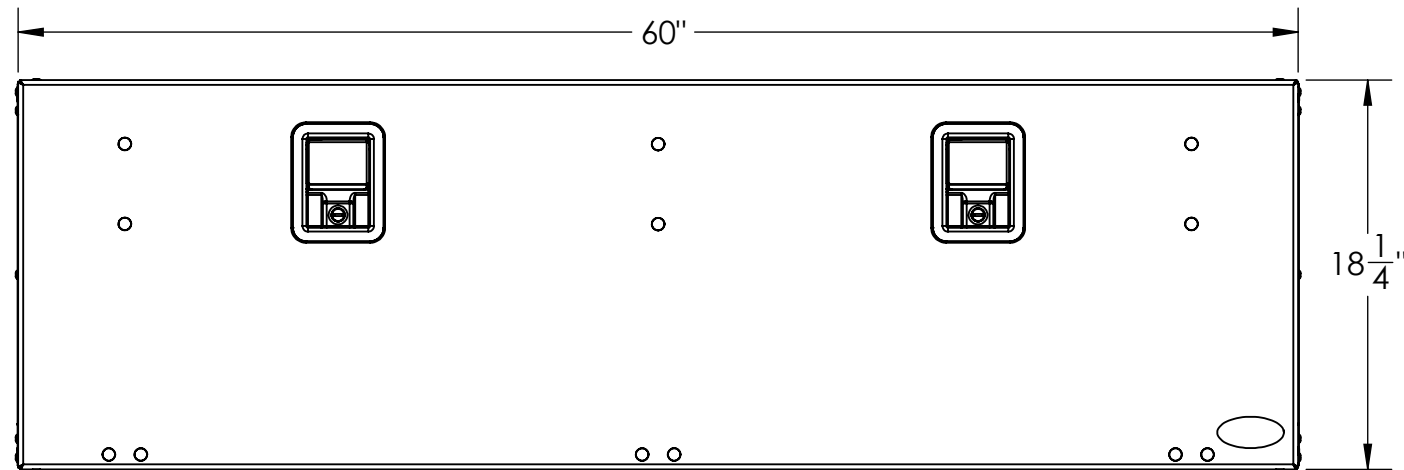
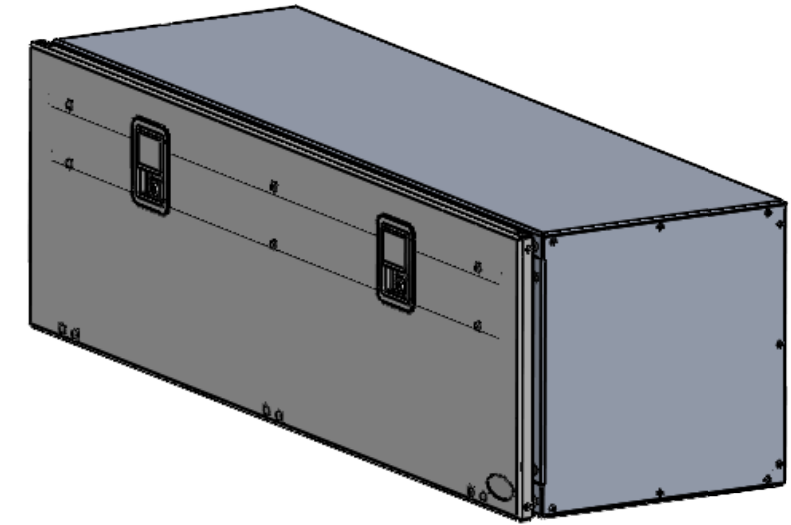
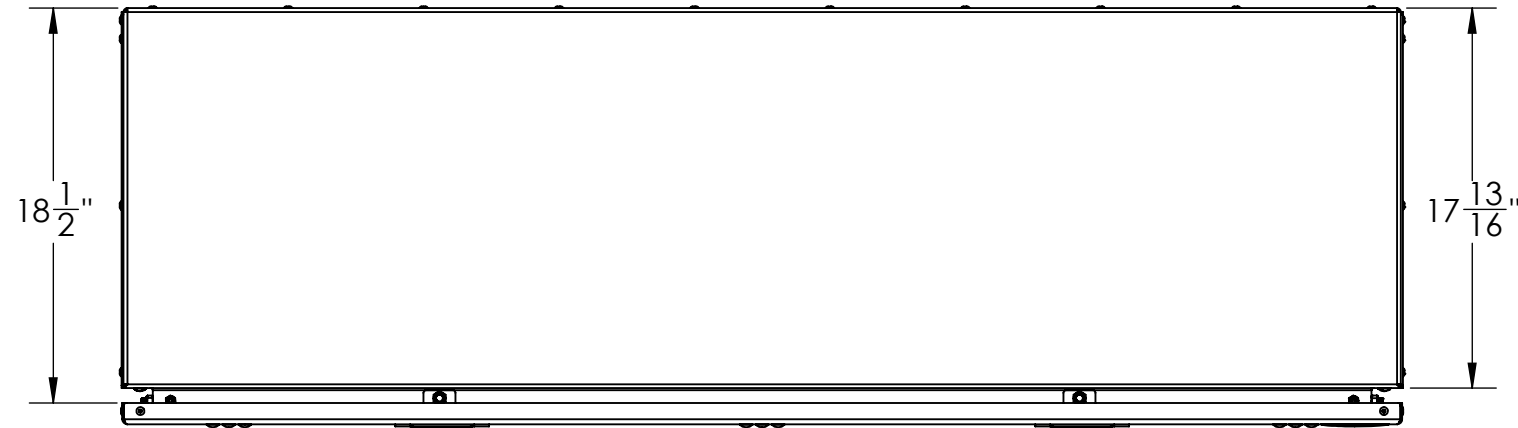
3

2

1

CLOSED DIMENSIONS

MATERIAL DESCRIPTION:	QTY/ASSEMBLY
VARIES	1



UNLESS OTHERWISE SPECIFIED		NAME	DATE	inventive-group One Company, 4 Brands
TOLERANCES:		DRAWN	AM	
ANGULAR:	BEND $\pm 0.3^\circ$	ENG APPR.	PROPRIETARY AND CONFIDENTIAL	TITLE: 60" WORKMAN SERIES UNDERBODY TOOLBOX - ASSEMBLY
FRACTIONAL	$\pm 1/16"$			
TWO PLACE DECIMAL	$\pm 0.020"$			
THREE PLACE DECIMAL	$\pm 0.010"$	THE INFORMATION CONTAINED IN THIS DRAWING IS THE SOLE PROPERTY OF INVENTIVE GROUP LLC. ANY REPRODUCTION IN PART OR AS A WHOLE WITHOUT THE WRITTEN PERMISSION OF INVENTIVE GROUP LLC, IS PROHIBITED.		REV
GD&T ASME Y14.5-2018		WEIGHT		SIZE
TOP LEVEL ASSEMBLY P/N		69.60 LBS		B
ITD24592		SURFACE AREA		
MATERIAL		12863.43 SQ IN		ITD24617
FINISH		VARIES		SCALE: 1:12
VARIES		SCALE: 1:12		DO NOT SCALE DRAWING
VARIES		SCALE: 1:12		SHEET 1 OF 2

4

3

2

1

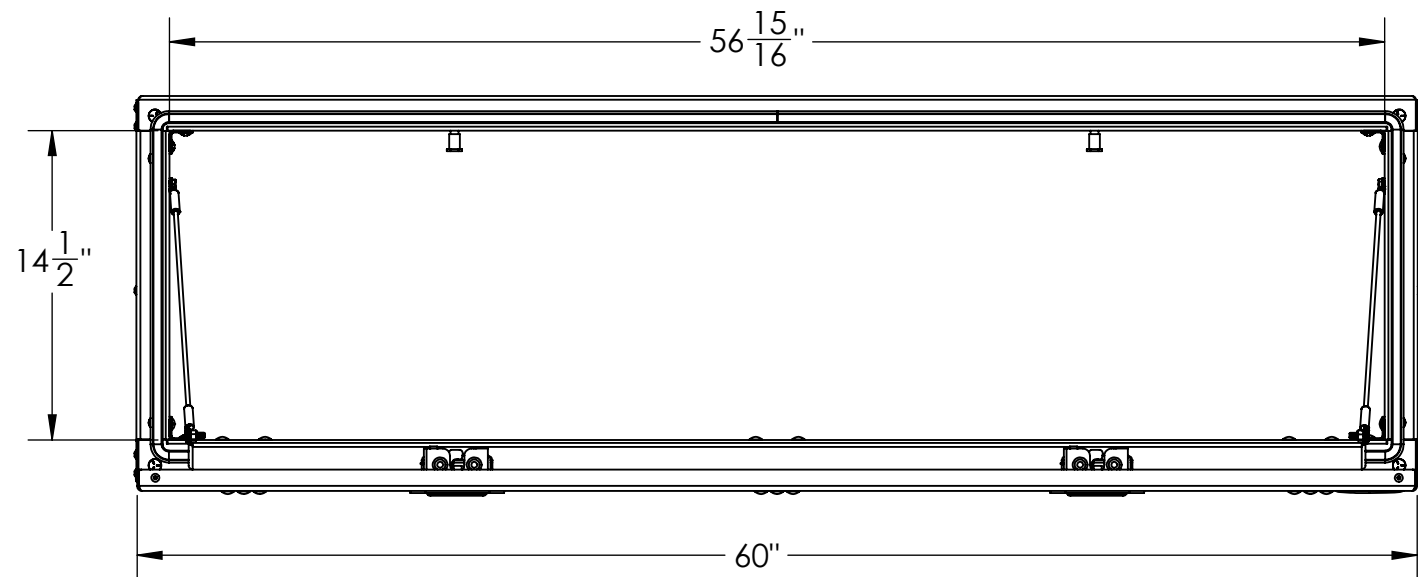
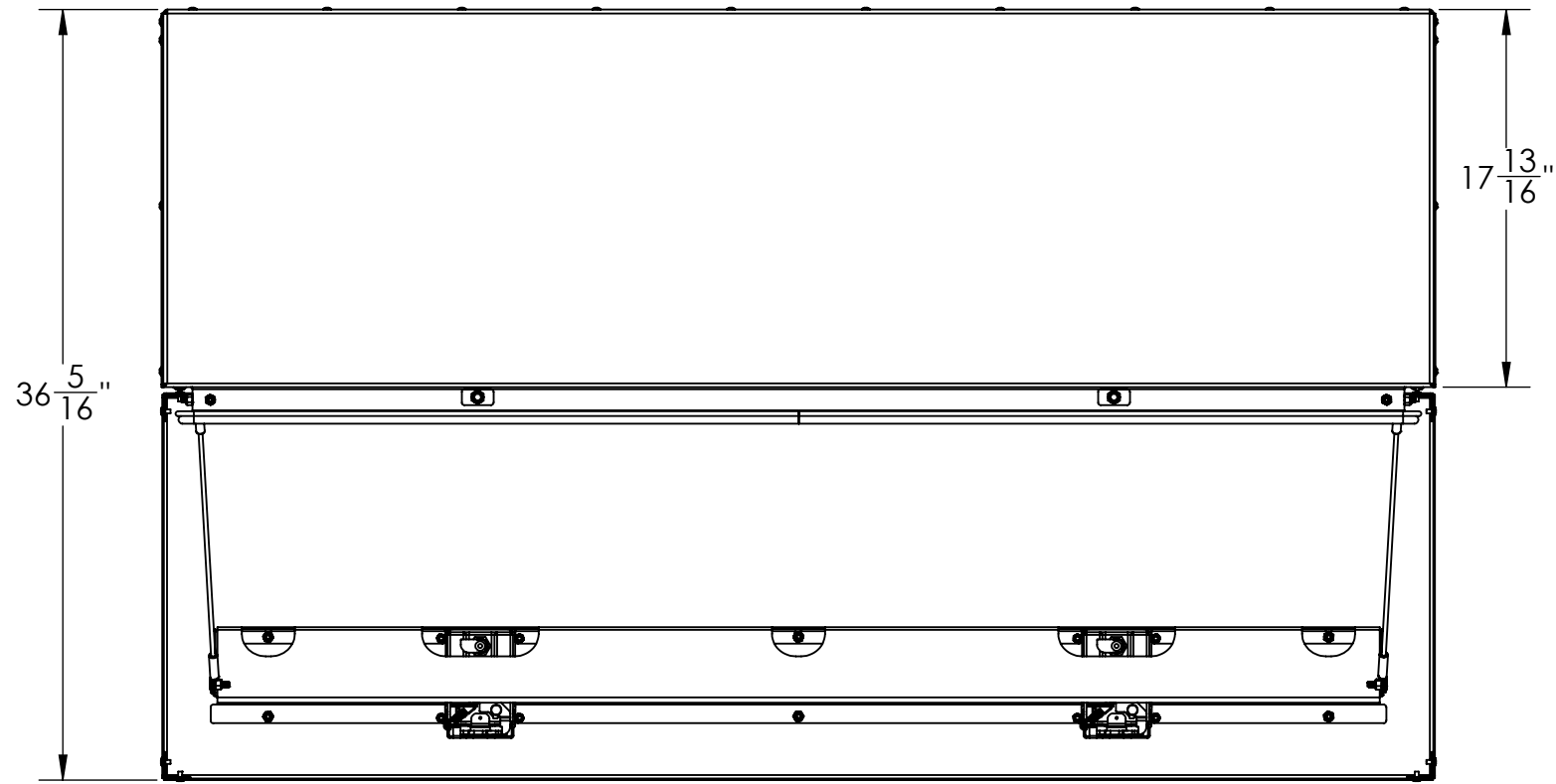
B

B

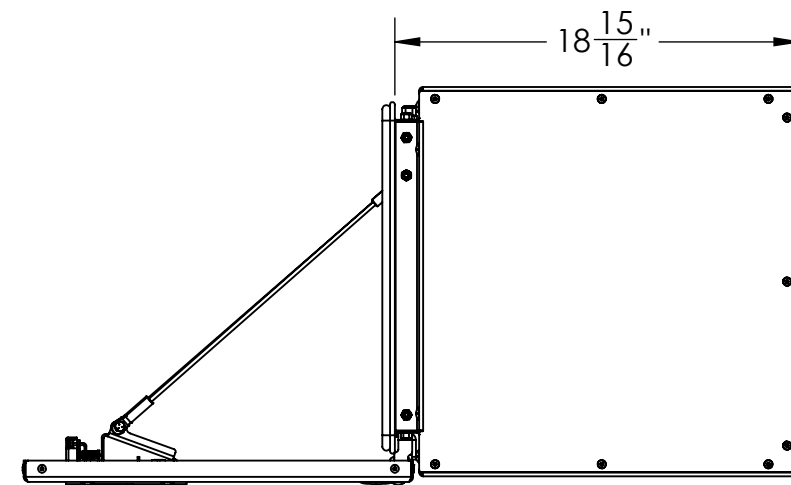
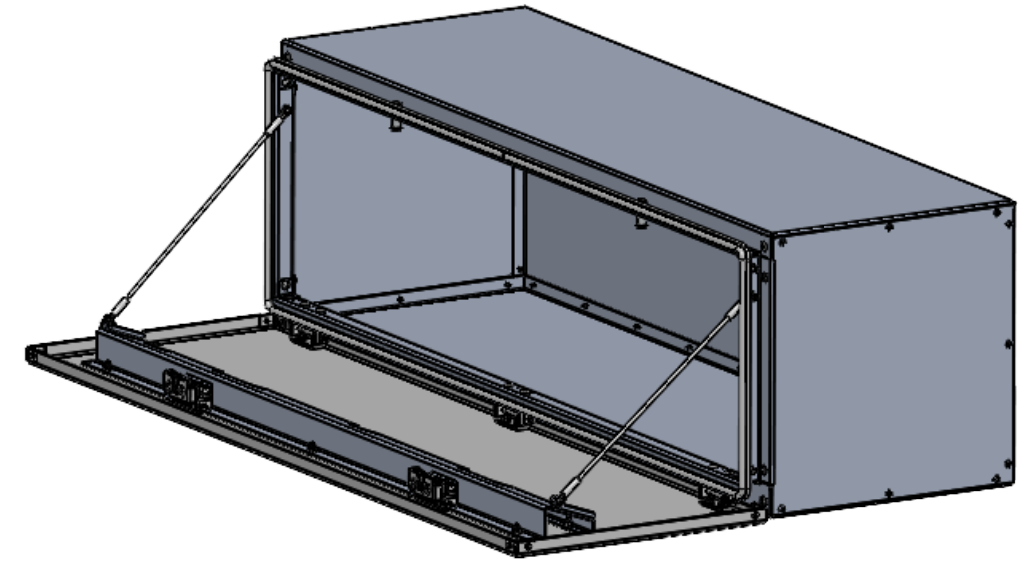
A

A

OPEN DIMENSIONS



MATERIAL DESCRIPTION:	QTY/ASSEMBLY
VARIES	1



UNLESS OTHERWISE SPECIFIED		NAME	DATE	<p>One Company, 4 Brands</p>
TOLERANCES:		DRAWN	AM	
ANGULAR: BEND	± 0.3°	ENG APPR.		TITLE: 60" WORKMAN SERIES UNDERBODY TOOLBOX - ASSEMBLY
FRACTIONAL	± 1/16"	PROPRIETARY AND CONFIDENTIAL THE INFORMATION CONTAINED IN THIS DRAWING IS THE SOLE PROPERTY OF INVENTIVE GROUP LLC. ANY REPRODUCTION IN PART OR AS A WHOLE WITHOUT THE WRITTEN PERMISSION OF INVENTIVE GROUP LLC. IS PROHIBITED.		
TWO PLACE DECIMAL	± 0.020"	SIZE B		PART NUMBER: ITD24617
THREE PLACE DECIMAL	± 0.010"	WEIGHT 70.24 LBS		
GD&T ASME Y14.5-2018		SURFACE AREA 13500.40 SQ IN		REV
TOP LEVEL ASSEMBLY P/N	ITD24592	SCALE: 1:12		DO NOT SCALE DRAWING
MATERIAL	VARIES	SHEET 2 OF 2		
FINISH	VARIES			