

4

3

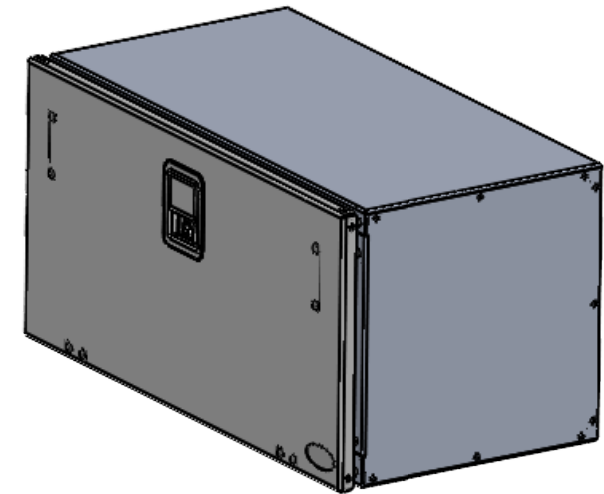
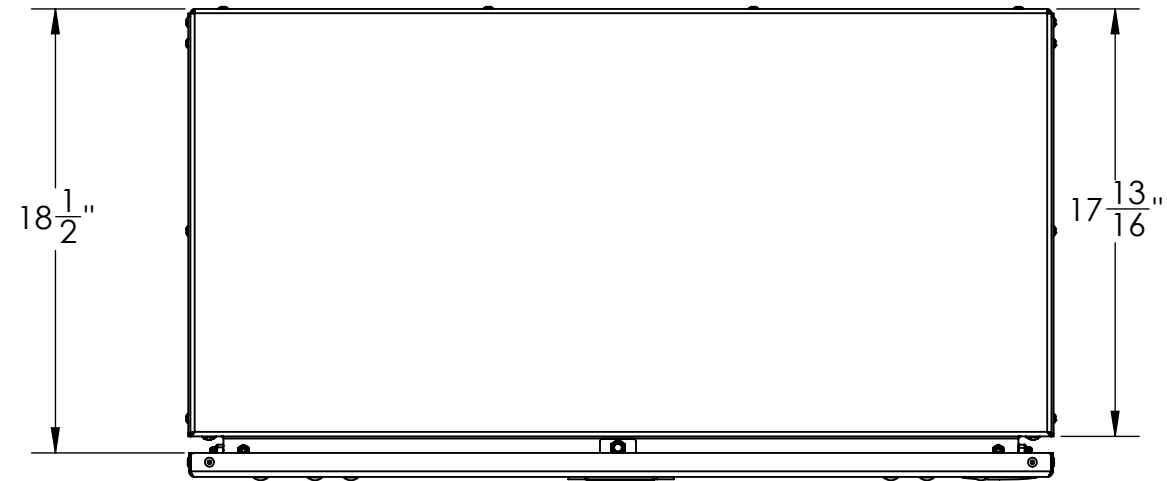
2

1

**CLOSED DIMENSIONS**

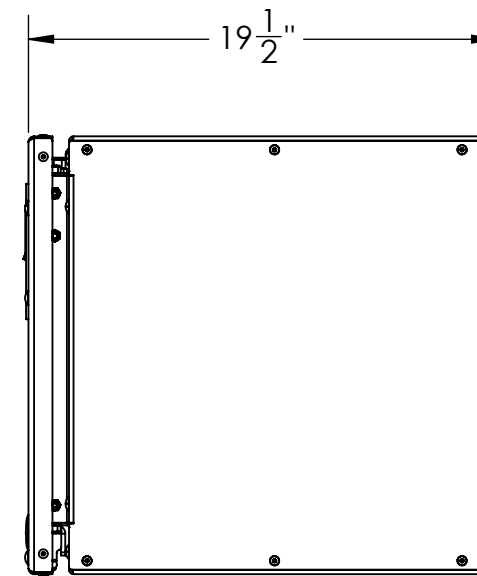
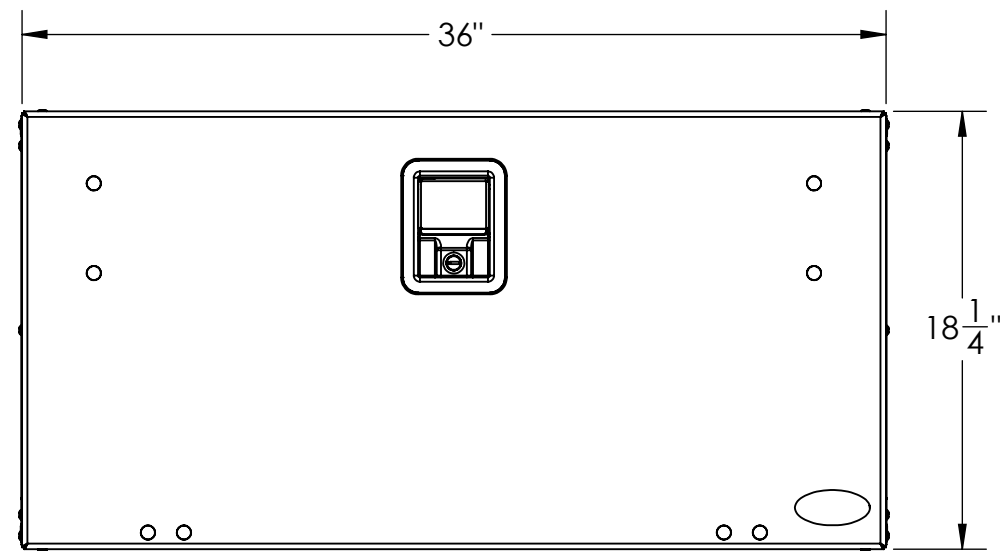
MATERIAL DESCRIPTION:	QTY/ASSEMBLY
<b>VARIES</b>	<b>1</b>

B



B

A



A

4

3

2

1

UNLESS OTHERWISE SPECIFIED		NAME	DATE	 <b>One Company, 4 Brands</b>
<b>TOLERANCES:</b>		DRAWN	AM	
ANGULAR:	BEND ± 0.3°	ENG APPR.		<b>PROPRIETARY AND CONFIDENTIAL</b> THE INFORMATION CONTAINED IN THIS DRAWING IS THE SOLE PROPERTY OF INVENTIVE GROUP LLC. ANY REPRODUCTION IN PART OR AS A WHOLE WITHOUT THE WRITTEN PERMISSION OF INVENTIVE GROUP LLC. IS PROHIBITED.
FRACTIONAL	± 1/16"			
TWO PLACE DECIMAL	± 0.020"			
THREE PLACE DECIMAL	± 0.010"	GD&T ASME Y14.5-2018 TOP LEVEL ASSEMBLY P/N <b>ITD24592</b>		<b>TITLE:</b> <b>36" WORKMAN SERIES UNDERBODY TOOLBOX - ASSEMBLY</b>
MATERIAL	VARIES	WEIGHT	43.25 LBS	<b>SIZE</b> <b>B</b>
FINISH	VARIES	SURFACE AREA	7961.09 SQ IN	PART NUMBER: <b>ITD24599</b>
		SCALE: 1:12		DO NOT SCALE DRAWING SHEET 1 OF 2

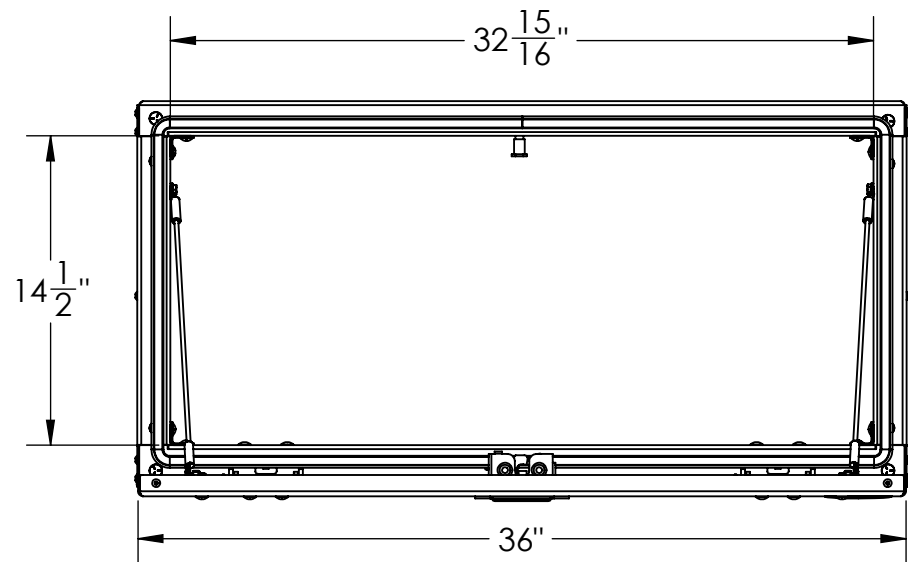
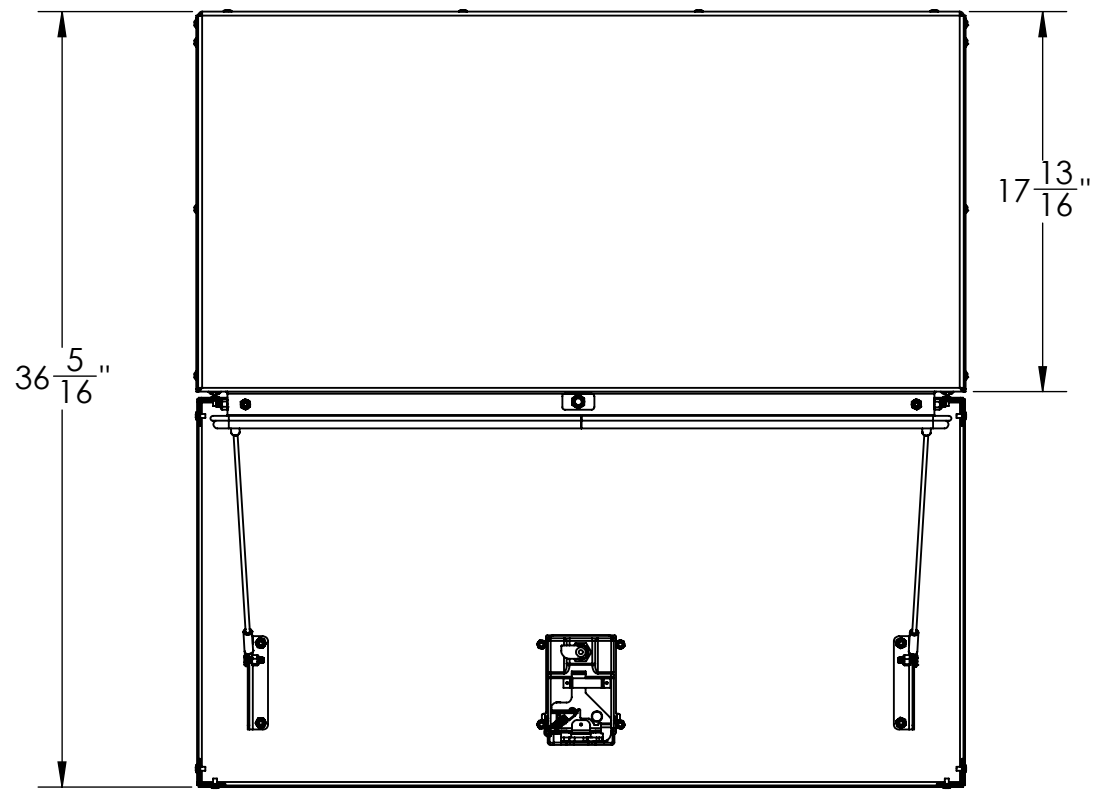
4

3

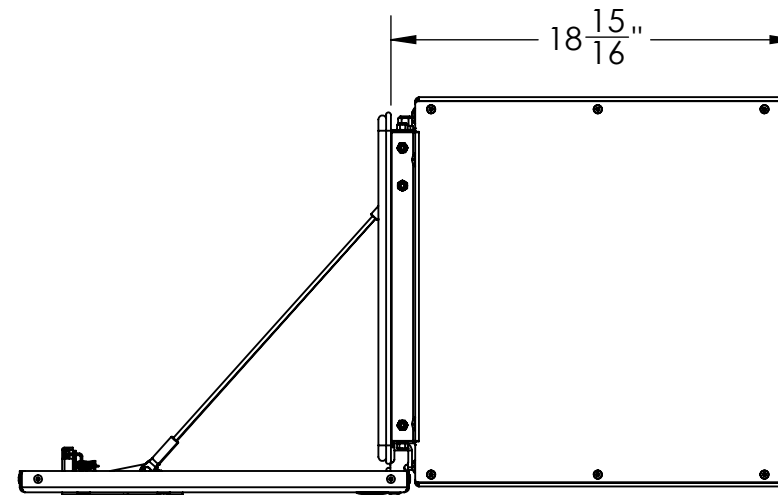
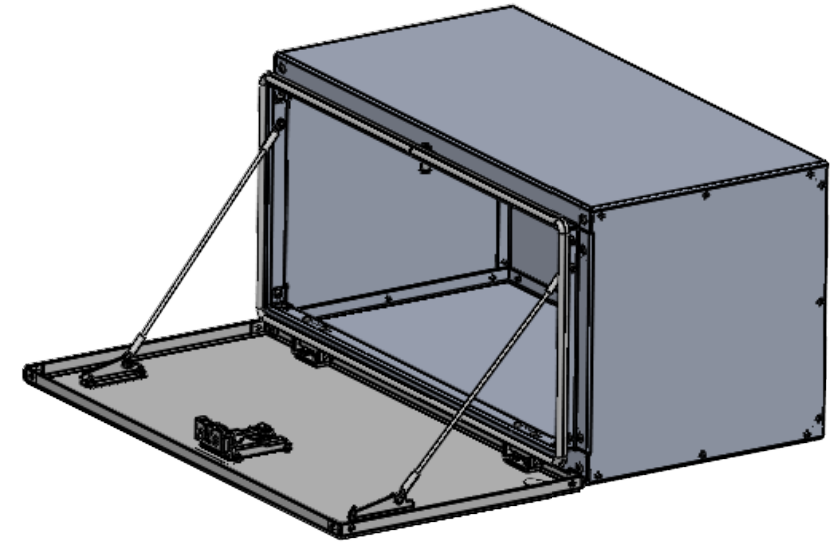
2

1

**OPEN DIMENSIONS**



MATERIAL DESCRIPTION:	QTY/ASSEMBLY
<b>VARIES</b>	<b>1</b>



UNLESS OTHERWISE SPECIFIED		NAME	DATE	<b>inventive-group</b> One Company, 4 Brands
<b>TOLERANCES:</b>		DRAWN	AM	
ANGULAR:	BEND ± 0.3°	ENG APPR.		TITLE: 36" WORKMAN SERIES UNDERBODY TOOLBOX - ASSEMBLY
FRACTIONAL	± 1/16"			
TWO PLACE DECIMAL	± 0.020"			
THREE PLACE DECIMAL	± 0.010"	PROPRIETARY AND CONFIDENTIAL		SIZE <b>B</b>
GD&T ASME Y14.5-2018 TOP LEVEL ASSEMBLY P/N ITD24592		THE INFORMATION CONTAINED IN THIS DRAWING IS THE SOLE PROPERTY OF INVENTIVE GROUP LLC. ANY REPRODUCTION IN PART OR AS A WHOLE WITHOUT THE WRITTEN PERMISSION OF INVENTIVE GROUP LLC, IS PROHIBITED.		PART NUMBER: ITD24599
MATERIAL	VARIES	WEIGHT	43.70 LBS	REV
FINISH	VARIES	SURFACE AREA	8399.53 SQ IN	SCALE: 1:12
				DO NOT SCALE DRAWING
				SHEET 2 OF 2

4

3

2

1

B

B

A

A