

4

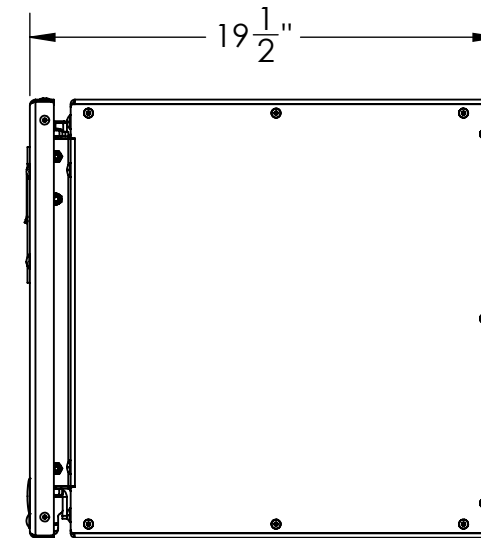
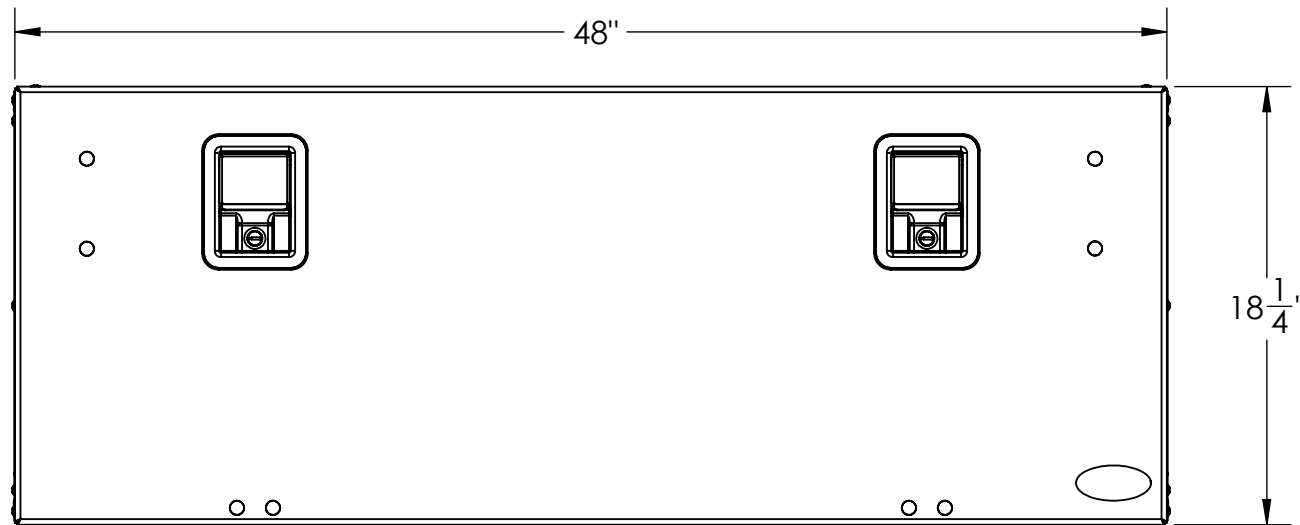
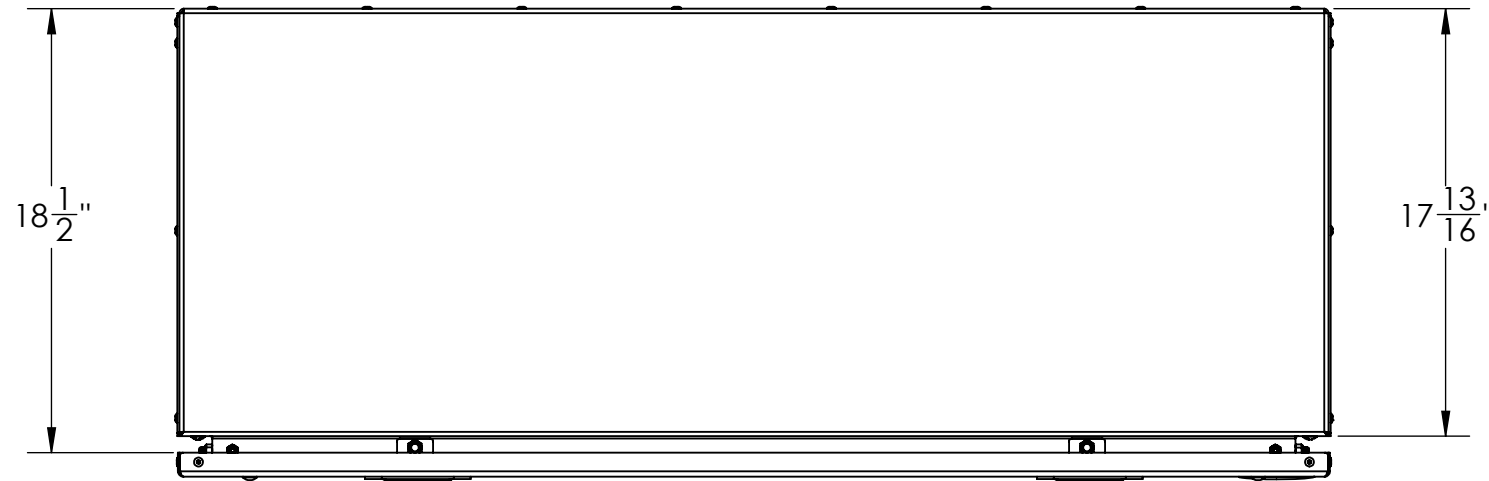
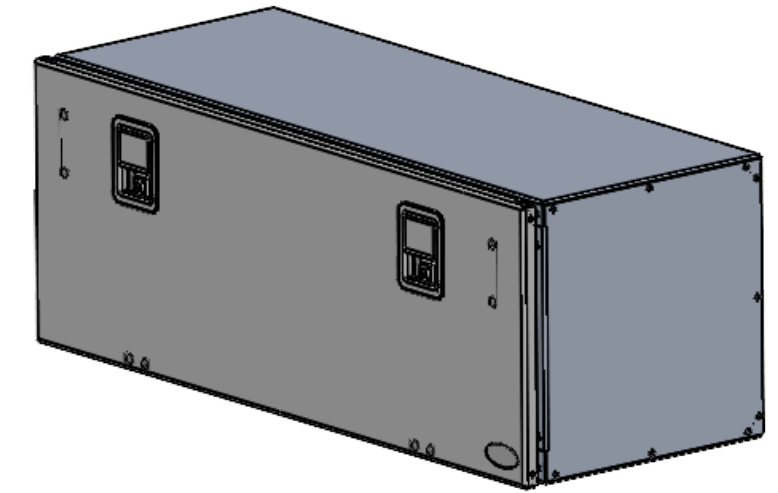
3

2

1

CLOSED DIMENSIONS

MATERIAL DESCRIPTION:	QTY/ASSEMBLY
VARIES	1



UNLESS OTHERWISE SPECIFIED		NAME	DATE	inventive-group One Company, 4 Brands
TOLERANCES:		DRAWN	AM	
ANGULAR:	BEND ± 0.3°	ENG APPR.	PROPRIETARY AND CONFIDENTIAL	TITLE: 48" WORKMAN SERIES UNDERBODY TOOLBOX - ASSEMBLY
FRACTIONAL	± 1/16"			
TWO PLACE DECIMAL	± 0.020"			
THREE PLACE DECIMAL	± 0.010"	THE INFORMATION CONTAINED IN THIS DRAWING IS THE SOLE PROPERTY OF INVENTIVE GROUP LLC. ANY REPRODUCTION IN PART OR AS A WHOLE WITHOUT THE WRITTEN PERMISSION OF INVENTIVE GROUP LLC, IS PROHIBITED.		REV
GD&T ASME Y14.5-2018		WEIGHT		54.56 LBS
TOP LEVEL ASSEMBLY P/N		SURFACE AREA		10067.31 SQ IN
ITD24592		SCALE: 1:12		DO NOT SCALE DRAWING
MATERIAL	VARIES	PART NUMBER:		ITD24592
FINISH	VARIES	SIZE		B
SHEET 1 OF 2				

4

3

2

1

B

B

A

A

4

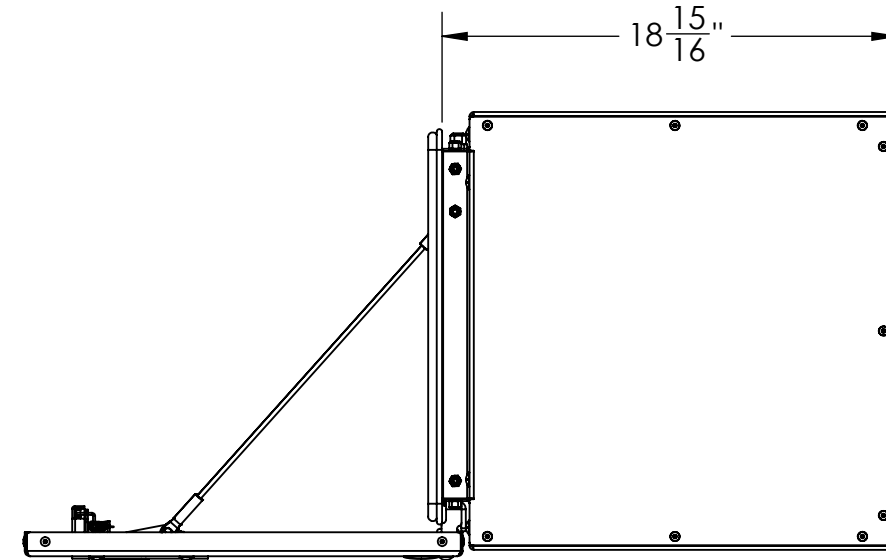
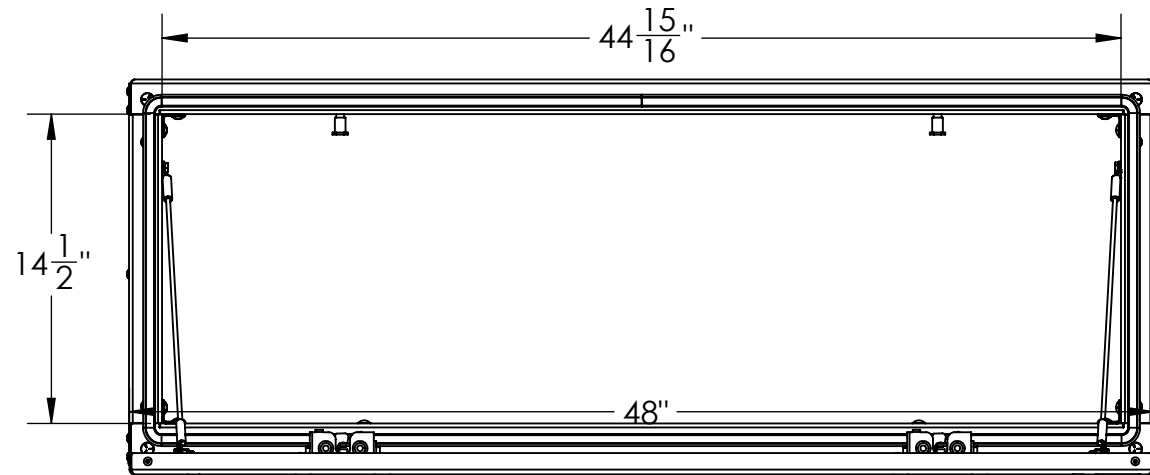
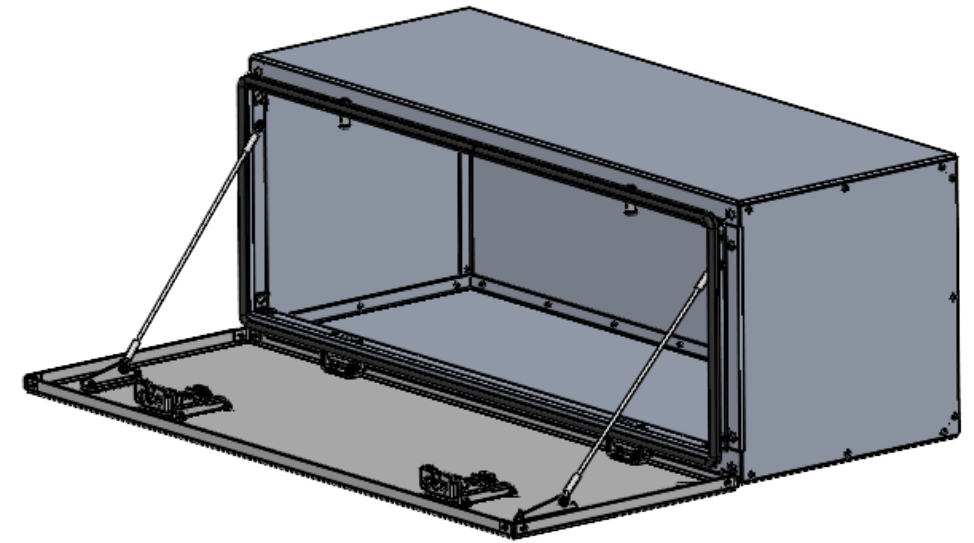
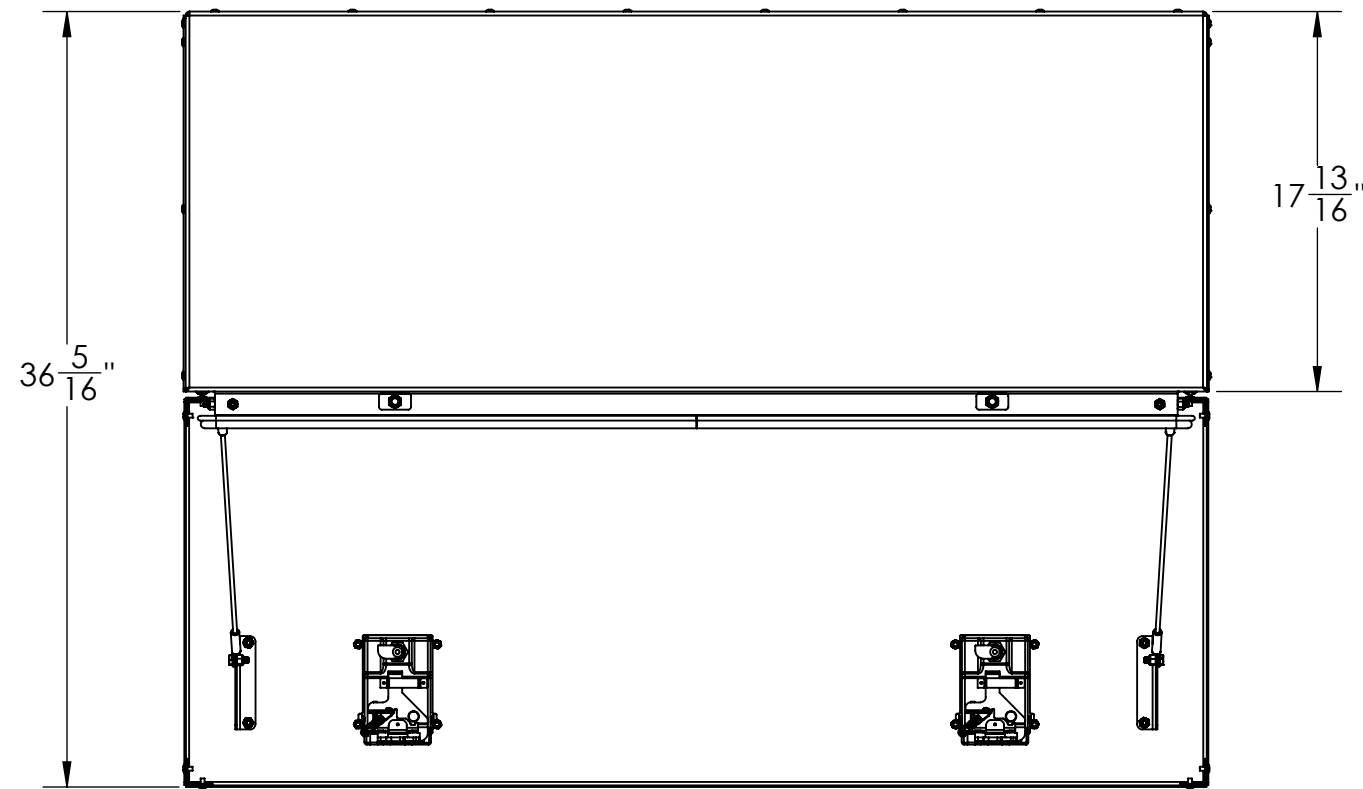
3

2

1

OPEN DIMENSIONS

MATERIAL DESCRIPTION:	QTY/ASSEMBLY
VARIES	1



UNLESS OTHERWISE SPECIFIED		NAME	DATE	inventive-group One Company, 4 Brands
TOLERANCES:		DRAWN	AM	
ANGULAR:	BEND ± 0.3°	ENG APPR.		TITLE: 48" WORKMAN SERIES UNDERBODY TOOLBOX - ASSEMBLY
FRACTIONAL	± 1/16"	PROPRIETARY AND CONFIDENTIAL		
TWO PLACE DECIMAL	± 0.020"	THE INFORMATION CONTAINED IN THIS DRAWING IS THE SOLE PROPERTY OF INVENTIVE GROUP LLC. ANY REPRODUCTION IN PART OR AS A WHOLE WITHOUT THE WRITTEN PERMISSION OF INVENTIVE GROUP LLC. IS PROHIBITED.		SIZE
THREE PLACE DECIMAL	± 0.010"			PART NUMBER:
GD&T ASME Y14.5-2018				B
TOP LEVEL ASSEMBLY P/N				ITD24592
MATERIAL				REV
VARIES				
FINISH		WEIGHT	55.10 LBS	SCALE: 1:12
VARIES		SURFACE AREA	10605.02 SQ IN	DO NOT SCALE DRAWING
				SHEET 2 OF 2

4

3

2

1

B

B

A

A