

4

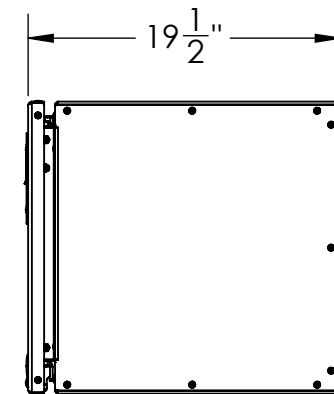
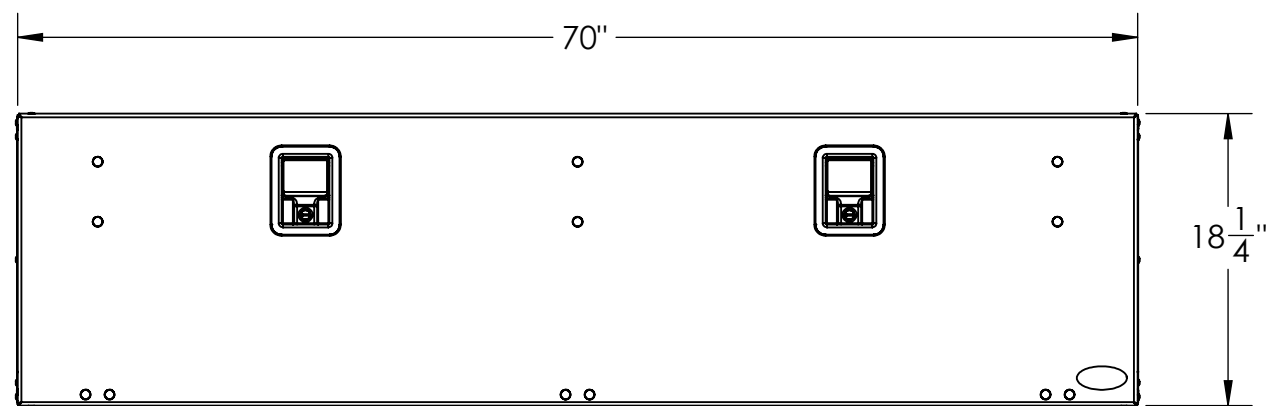
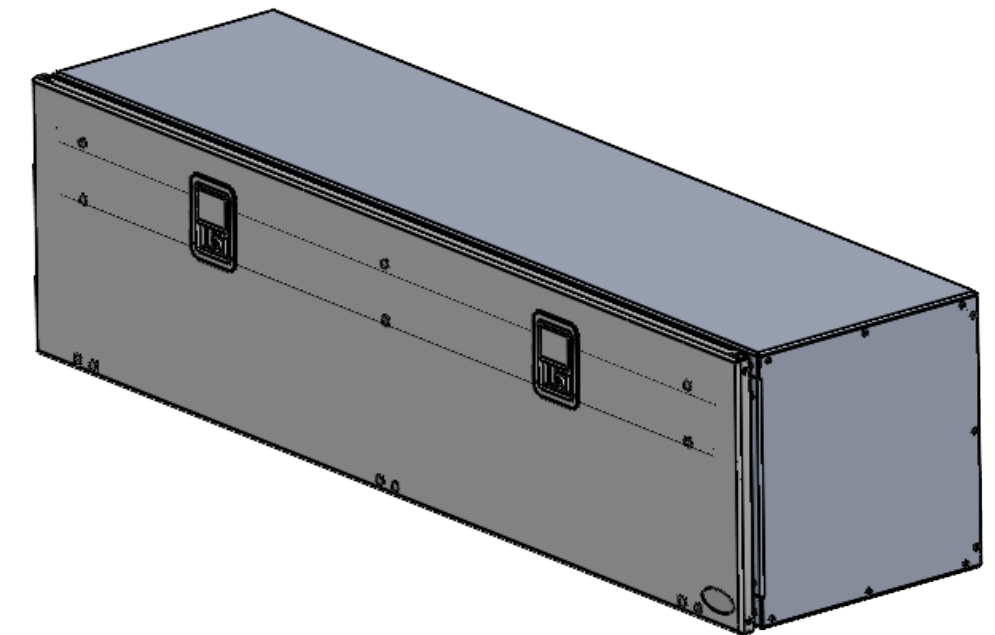
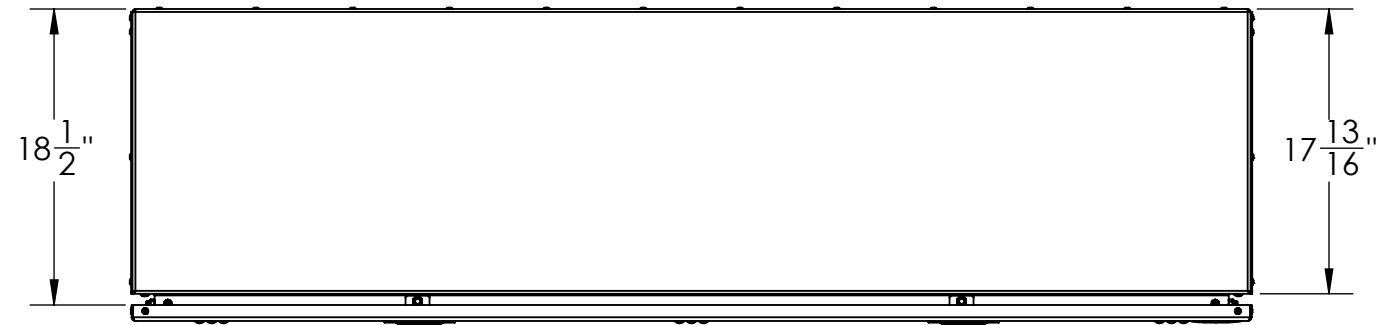
3

2

1

CLOSED DIMENSIONS

MATERIAL DESCRIPTION:	QTY/ASSEMBLY
VARIES	1



UNLESS OTHERWISE SPECIFIED		NAME	DATE	inventive-group One Company, 4 Brands
TOLERANCES: ANGULAR: BEND ± 0.3° FRACTIONAL ± 1/16" TWO PLACE DECIMAL ± 0.020" THREE PLACE DECIMAL ± 0.010"		DRAWN	AM	
GD&T ASME Y14.5-2018		PROPRIETARY AND CONFIDENTIAL THE INFORMATION CONTAINED IN THIS DRAWING IS THE SOLE PROPERTY OF INVENTIVE GROUP LLC. ANY REPRODUCTION IN PART OR AS A WHOLE WITHOUT THE WRITTEN PERMISSION OF INVENTIVE GROUP LLC IS PROHIBITED.		TITLE:
TOP LEVEL ASSEMBLY P/N		ENG APPR.		70" WORKMAN SERIES UNDERBODY TOOLBOX - ASSEMBLY
MATERIAL		WEIGHT 79.80 LBS SURFACE AREA 14657.92 SQ IN		SIZE B PART NUMBER: ITD24500 REV
FINISH		SCALE: 1:12		DO NOT SCALE DRAWING SHEET 1 OF 3
VARIES				

4

3

2

1

B

B

A

A

4

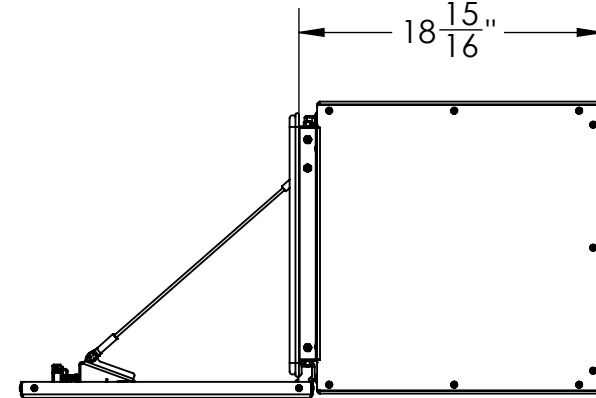
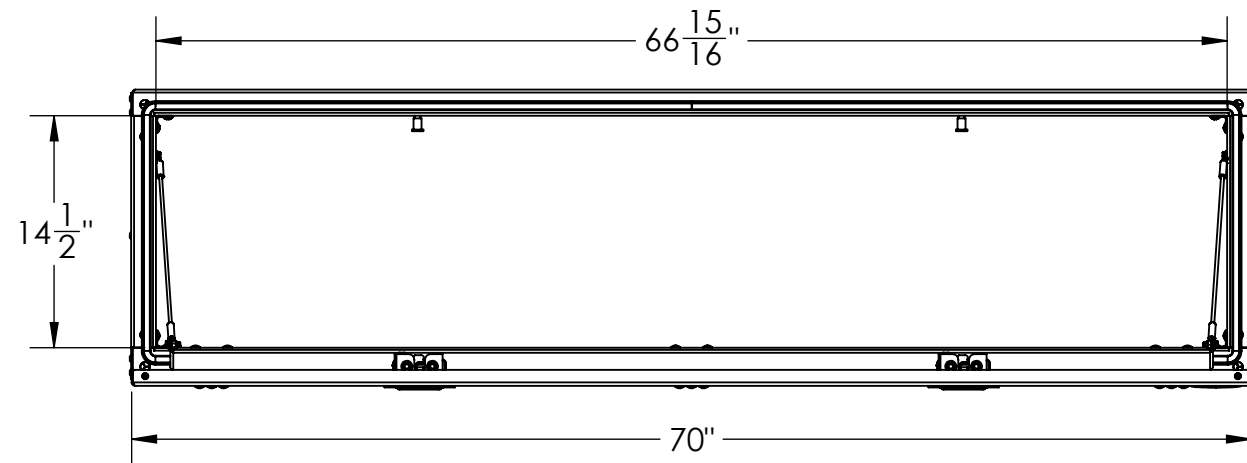
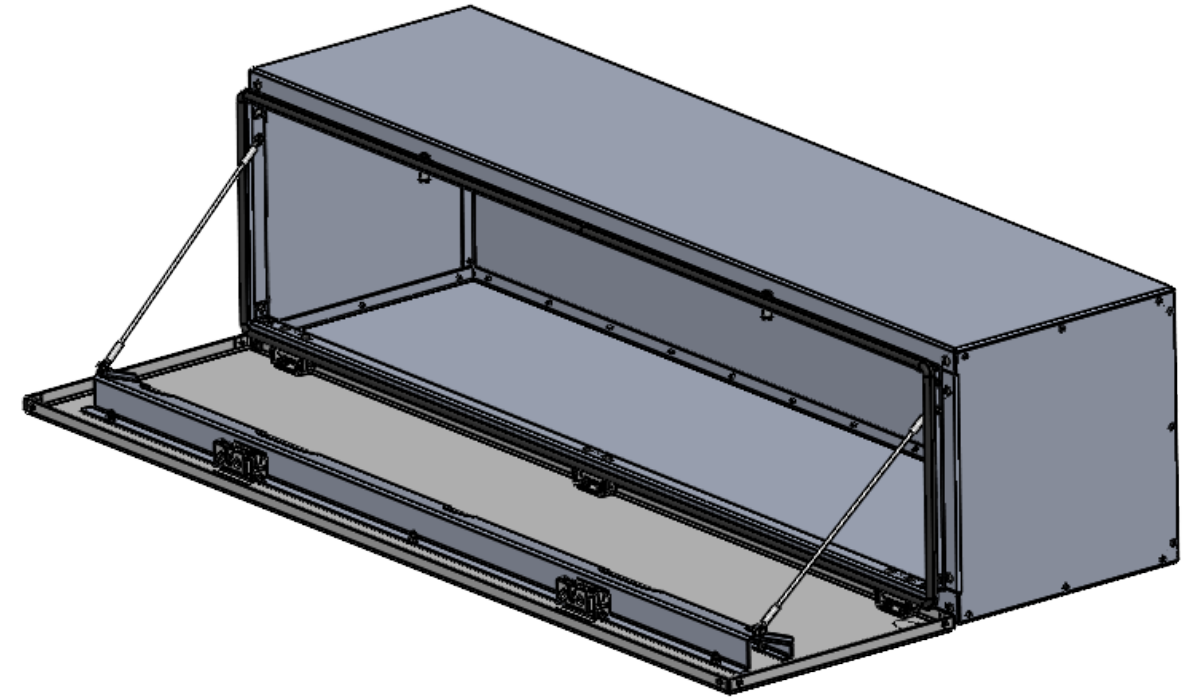
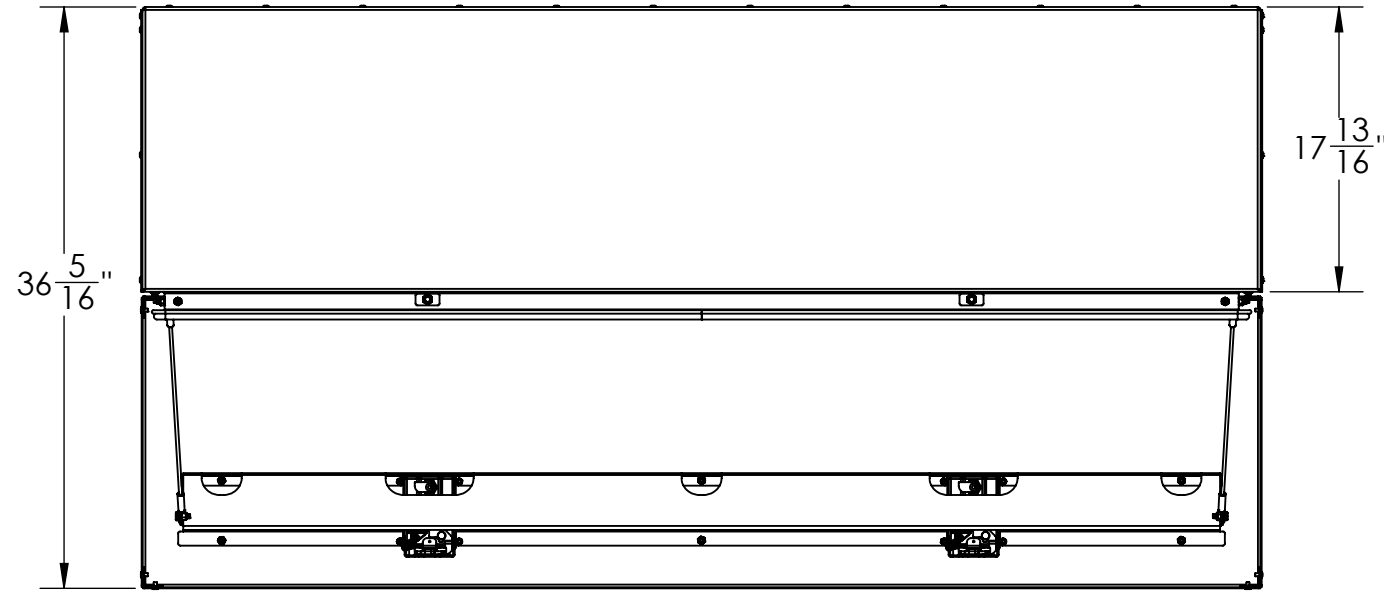
3

2

1

OPEN DIMENSIONS

MATERIAL DESCRIPTION:	QTY/ASSEMBLY
VARIES	1



UNLESS OTHERWISE SPECIFIED		NAME	DATE	inventive-group One Company, 4 Brands
TOLERANCES:		DRAWN	AM	
ANGULAR:	BEND ± 0.3°	ENG APPR.		TITLE:
FRACTIONAL	± 1/16"	PROPRIETARY AND CONFIDENTIAL		70" WORKMAN SERIES
TWO PLACE DECIMAL	± 0.020"			UNDERBODY TOOLBOX -
THREE PLACE DECIMAL	± 0.010"	THE INFORMATION CONTAINED IN THIS DRAWING IS THE SOLE PROPERTY OF INVENTIVE GROUP LLC. ANY REPRODUCTION IN PART OR AS A WHOLE WITHOUT THE WRITTEN PERMISSION OF INVENTIVE GROUP LLC. IS PROHIBITED.		ASSEMBLY
GD&T ASME Y14.5-2018				SIZE
TOP LEVEL ASSEMBLY P/N	ITD24500			PART NUMBER:
MATERIAL	VARIES			B
FINISH	VARIES			ITD24500
		WEIGHT	80.51 LBS	REV
		SURFACE AREA	15377.61 SQ IN	SCALE: 1:12
				DO NOT SCALE DRAWING
				SHEET 2 OF 3

4

3

2

1

B

B

A

A