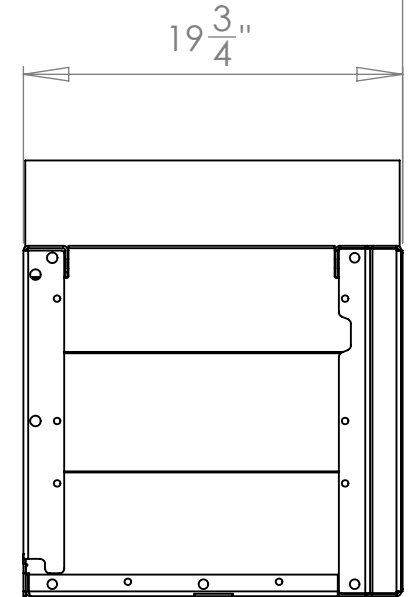
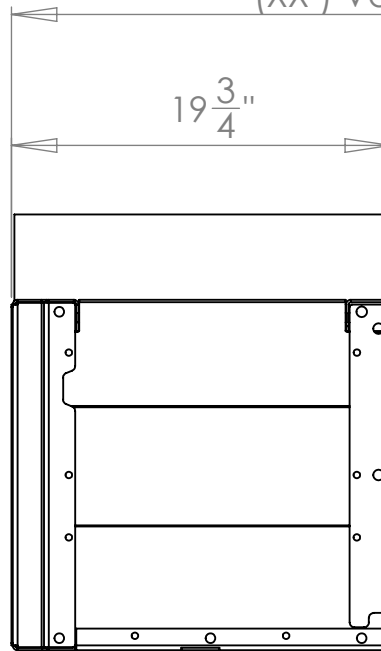
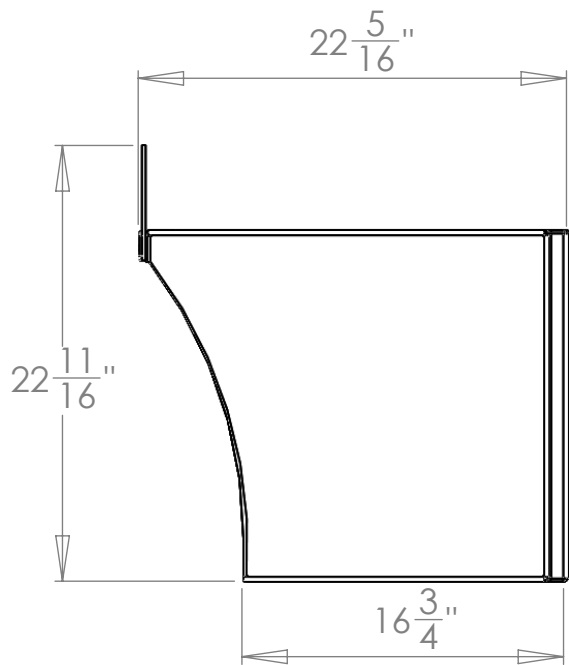


(XX") Varies Depending on Configuration



DRAWN BY: JL      DRAWN DATE: 4/17/2014  
 UNLESS OTHERWISE SPECIFIED:  
 DIMENSIONS ARE IN INCHES  
 TOLERANCES:  
 FRACTIONAL ± 1/16"  
 ANGULAR: MACH ± 0.25° BEND ± 1.5°  
 TWO PLACE DECIMAL ± 0.020"  
 THREE PLACE DECIMAL ± 0.005"  
 MATERIAL: N/A  
 DO NOT SCALE DRAWING

**Inventive LLC**  
 In The Ditch Towing Products  
 DESCRIPTION 16.75" Storage Fender Set  
 SIZE PART NO. **A** ITD2328  
 SHEET SCALE 1:20      SHEET 1 of 1