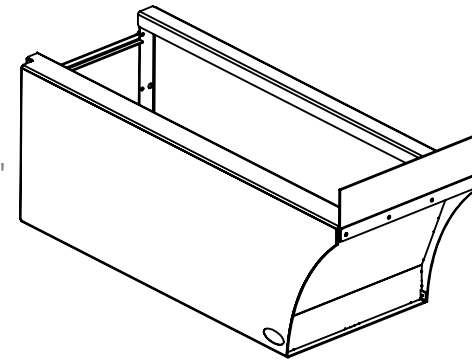
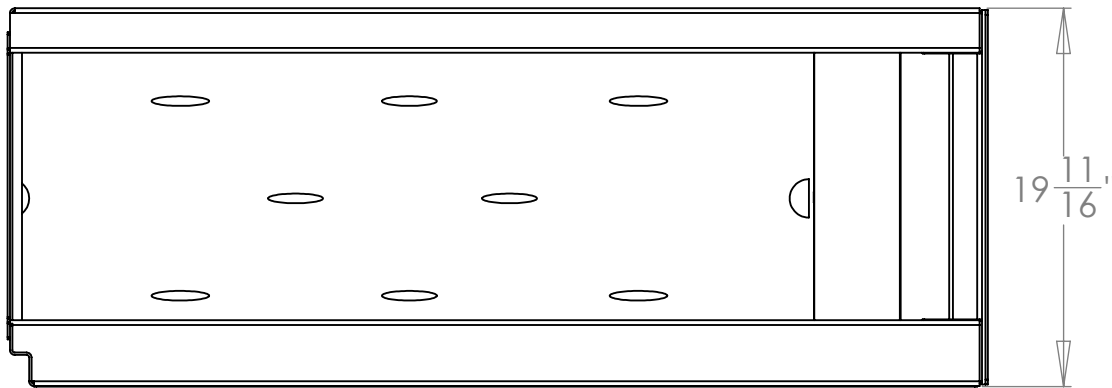
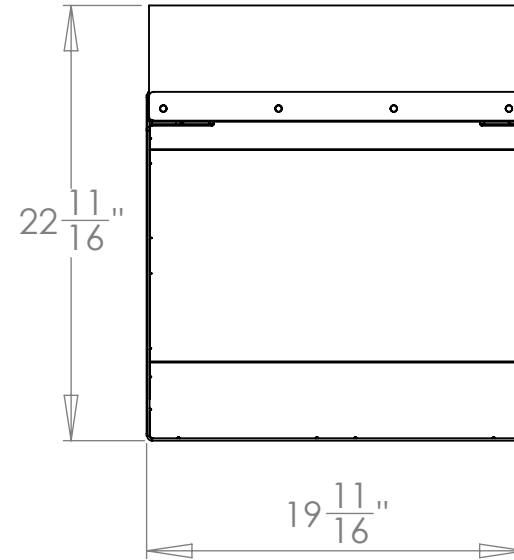
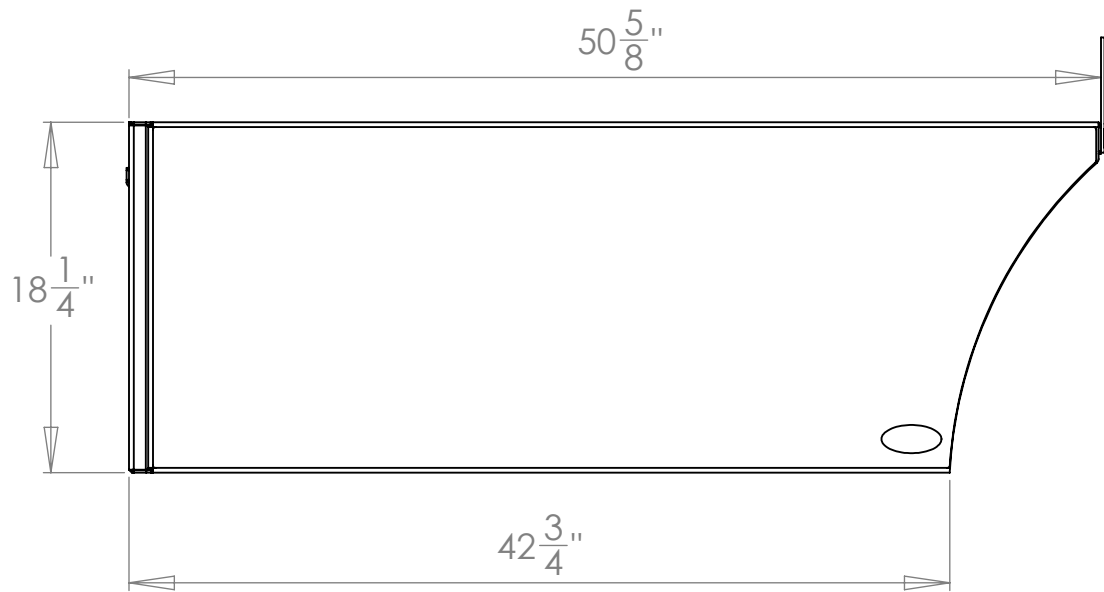


REV.	DESCRIPTION	DATE	APPROVED
------	-------------	------	----------



DRAWN BY: CJS    DRAWN DATE: 8/3/2015  
 UNLESS OTHERWISE SPECIFIED:  
 DIMENSIONS ARE IN INCHES  
 TOLERANCES:  
 FRACTIONAL ± 1/16"  
 ANGULAR: MACH ± 0.25° BEND ± 1.5°  
 TWO PLACE DECIMAL ± 0.020"  
 THREE PLACE DECIMAL ± 0.005"  
 MATERIAL:  
 DO NOT SCALE DRAWING

**Inventive LLC**  
 In The Ditch Towing Products  
 DESCRIPTION 42.75" Left Storage Fender ITD1588  
 SIZE PART NO. **A** ITD1591-L    REV  
 SHEET SCALE 1:20    SHEET 1 of 2