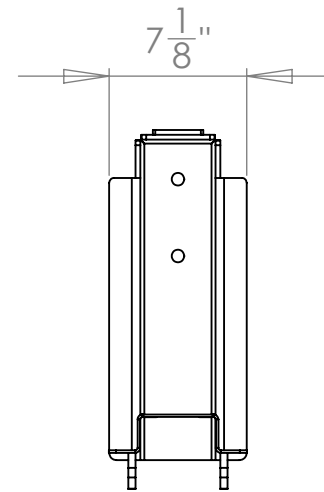
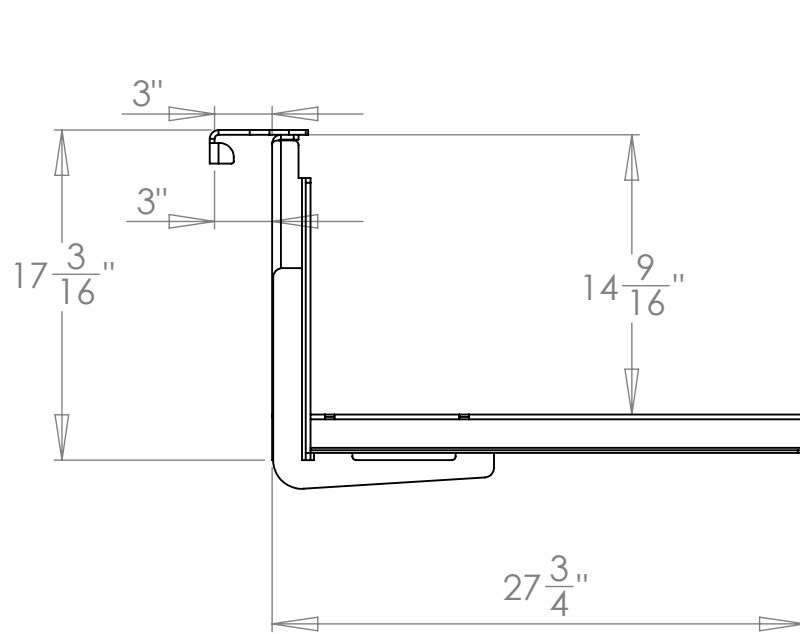


REV.	DESCRIPTION	DATE	APPROVED
------	-------------	------	----------



DRAWN BY: KBH DRAWN DATE: 7/30/2012 UNLESS OTHERWISE SPECIFIED: DIMENSIONS ARE IN INCHES TOLERANCES: FRACTIONAL $\pm 1/16"$ ANGULAR: MACH $\pm 0.25^\circ$ BEND $\pm 1.5^\circ$ TWO PLACE DECIMAL $\pm 0.020"$ THREE PLACE DECIMAL $\pm 0.005"$ MATERIAL: See BOM DO NOT SCALE DRAWING	Inventive LLC In The Ditch Towing Products Quick Hang Carrier Toolbox Mount - Standard PART NAME SIZE PART NO. A ITD1581 SHEET SCALE 1:20	SHEET 1 of 1
--	--	--------------