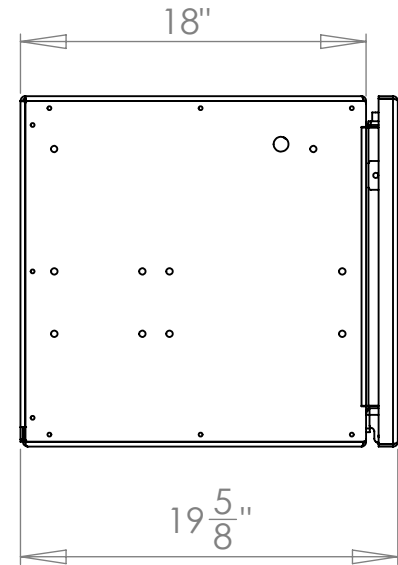
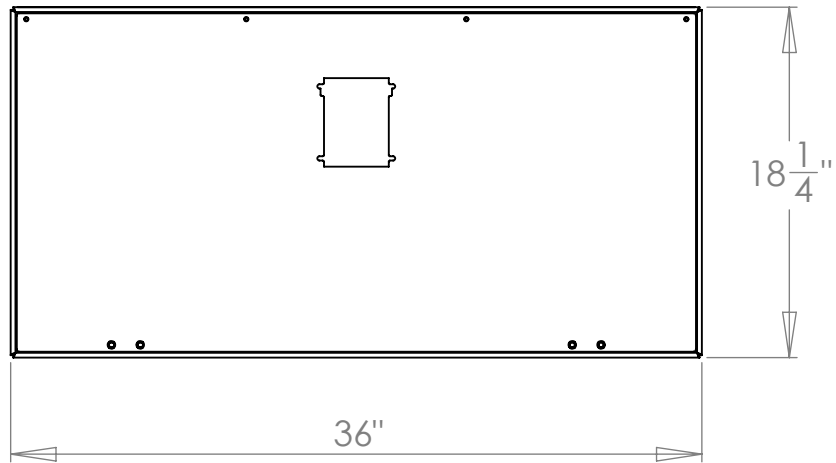
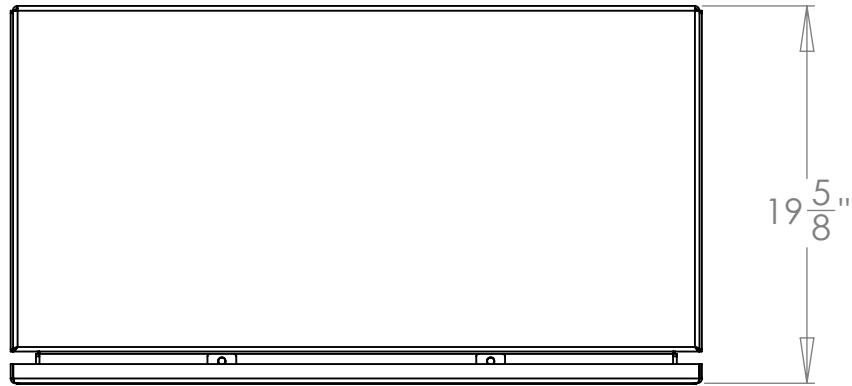


REV.	DESCRIPTION	DATE	APPROVED
------	-------------	------	----------



DRAWN BY: KBH      DRAWN DATE: 7/31/2012

UNLESS OTHERWISE SPECIFIED:

DIMENSIONS ARE IN INCHES  
 TOLERANCES:  
 FRACTIONAL ± 1/16"  
 ANGULAR: MACH ± 0.25° BEND ± 1.5°  
 TWO PLACE DECIMAL ± 0.020"  
 THREE PLACE DECIMAL ± 0.005"  
 MATERIAL: See BOM

DO NOT SCALE DRAWING

**Inventive LLC**  
 In The Ditch Towing Products

PART NAME  
**36" Aluminum Tool Box Assembly**

SIZE PART NO.

**A**

ITD1536

SHEET SCALE 1:10

SHEET 1 of 1