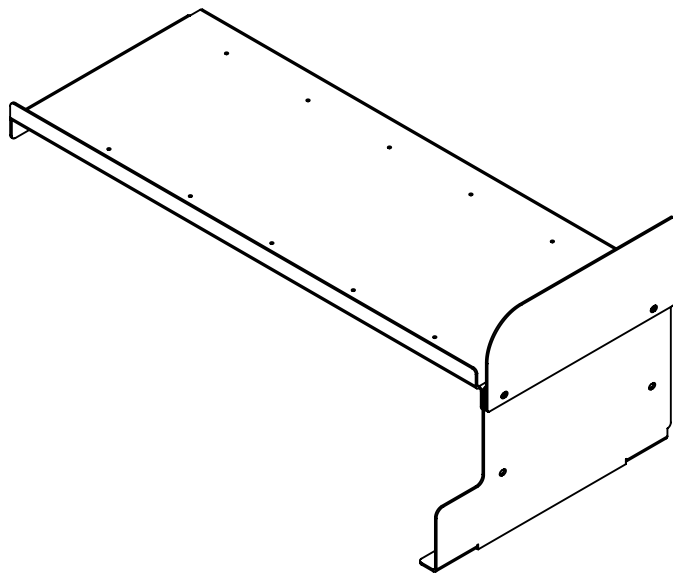
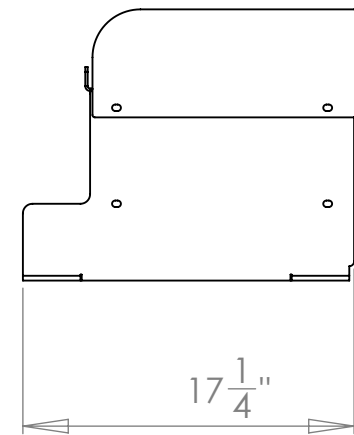
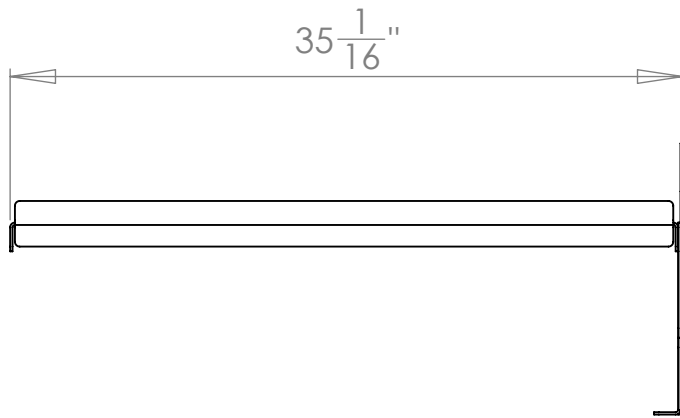


| REV. | DESCRIPTION | DATE | APPROVED |
|------|-------------|------|----------|
|------|-------------|------|----------|



DRAWN BY: KBH DRAWN DATE: 7/31/2012
 UNLESS OTHERWISE SPECIFIED:
 DIMENSIONS ARE IN INCHES
 TOLERANCES:
 FRACTIONAL $\pm 1/16$ "
 ANGULAR: MACH $\pm 0.25^\circ$ BEND $\pm 1.5^\circ$
 TWO PLACE DECIMAL ± 0.020 "
 THREE PLACE DECIMAL ± 0.005 "
 MATERIAL: See BOM
 DO NOT SCALE DRAWING

Inventive LLC
 In The Ditch Towing Products
 PART NAME
 70" Half Shelf Kit
 SIZE PART NO.
A ITD1341
 SHEET SCALE 1:20 SHEET 1 of 1