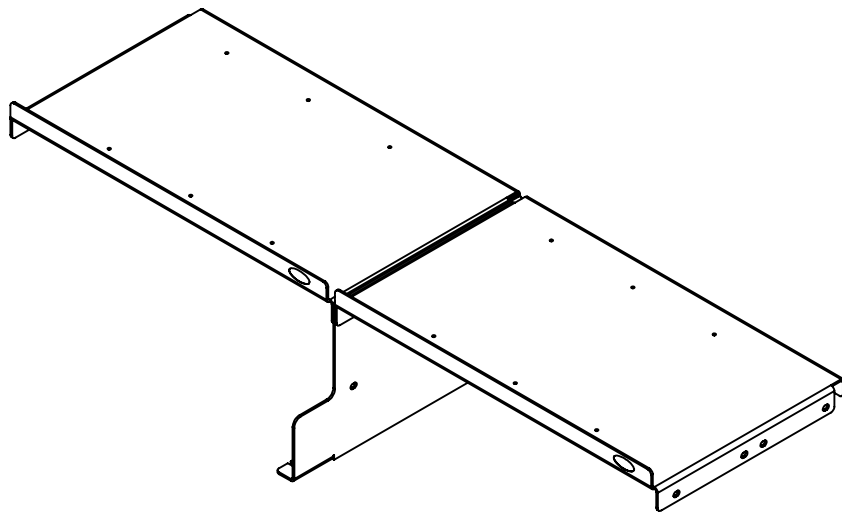
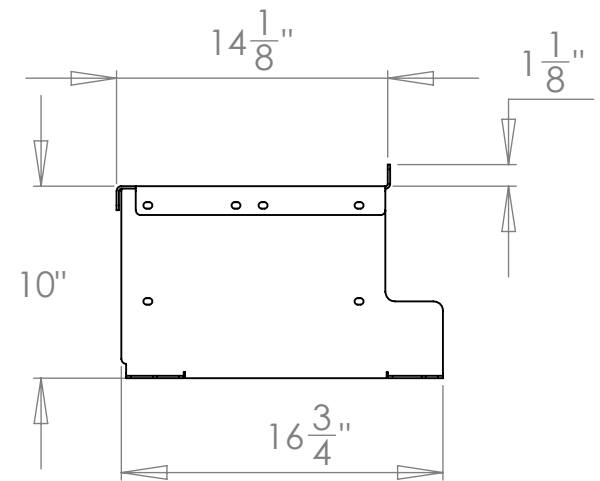
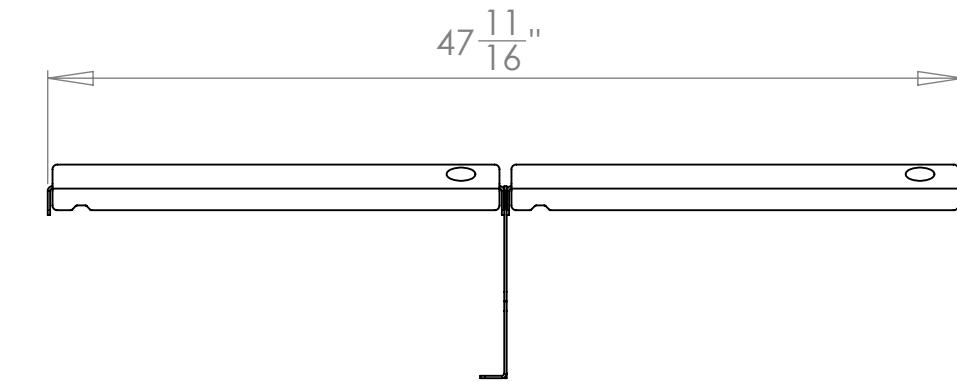


REV.	DESCRIPTION	DATE	APPROVED
------	-------------	------	----------



DRAWN BY: KBH DRAWN DATE: 7/31/2012 UNLESS OTHERWISE SPECIFIED: DIMENSIONS ARE IN INCHES TOLERANCES: FRACTIONAL $\pm 1/16"$ ANGULAR: MACH $\pm 0.25^\circ$ BEND $\pm 1.5^\circ$ TWO PLACE DECIMAL $\pm 0.020"$ THREE PLACE DECIMAL $\pm 0.005"$ MATERIAL: See BOM	Inventive LLC In The Ditch Towing Products PART NAME 48" Tool Box Shelf Kit SIZE PART NO. A ITD1287
DO NOT SCALE DRAWING	SHEET SCALE 1:20