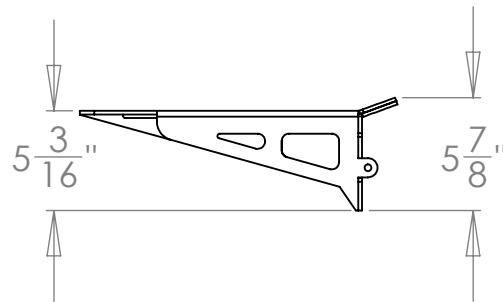
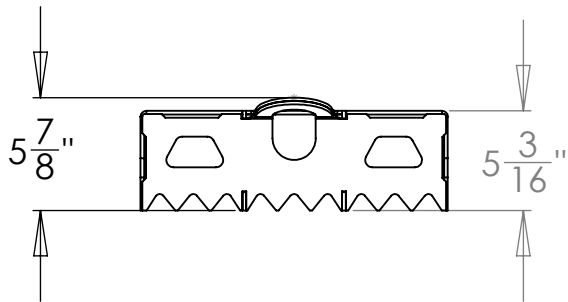
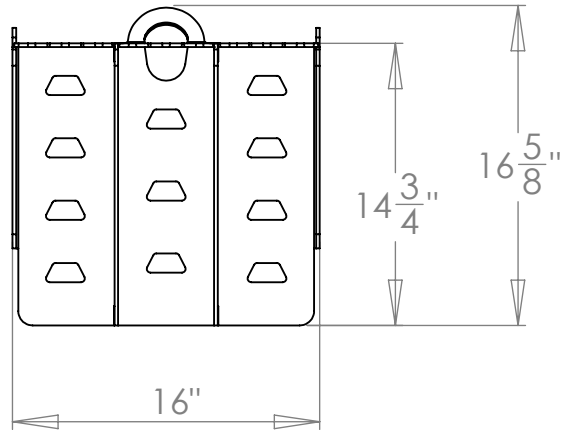
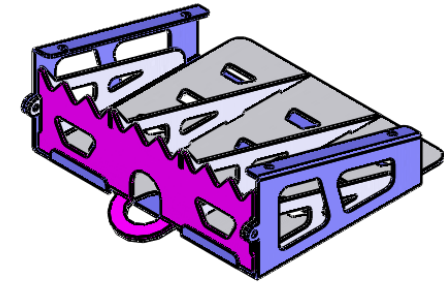


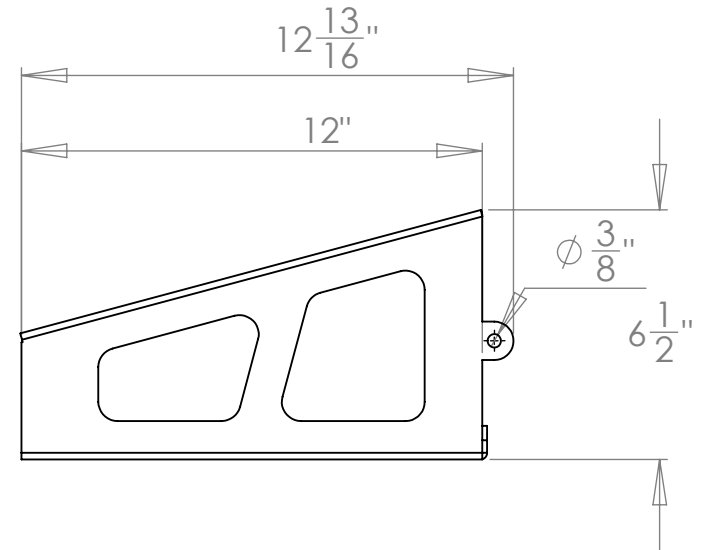
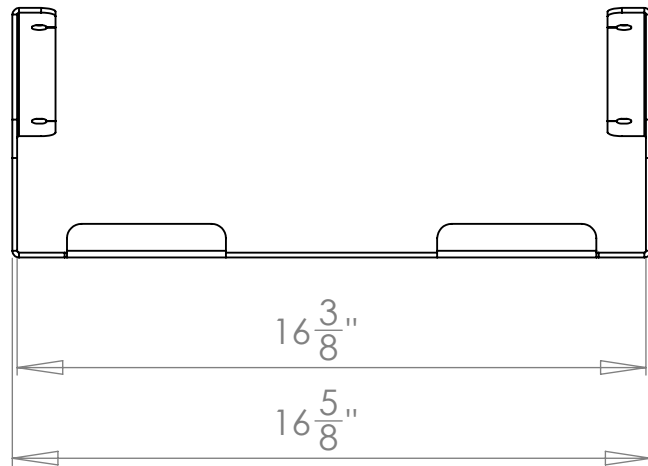
# ITD1096 Alloy Scotch Block



Dimensions are for reference only.

In The Ditch Towing Products	
PART NAME	
SIZE PART NO.	
<b>A</b>	Assy with mount
SHEET SCALE 1:10	SHEET 1 of 2

# ITD6714 Alloy Scotch Block Mount



Dimensions are for reference only.

In The Ditch Towing Products	
PART NAME	Steel Scotch Underbody
SIZE PART NO.	ITD6714-01
<b>A</b>	
SHEET SCALE 1:10	SHEET 2 of 2