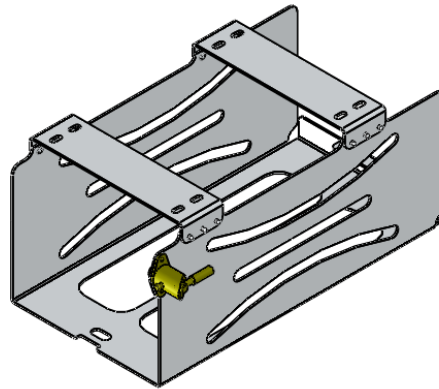
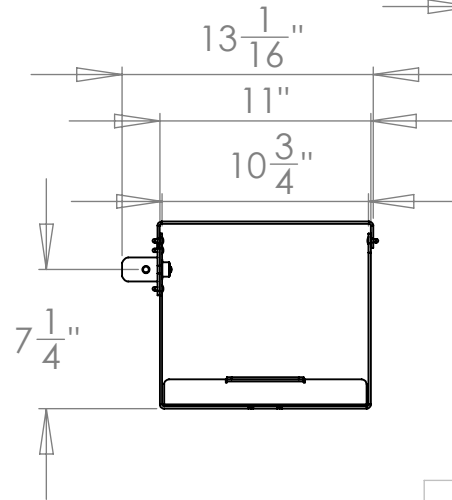
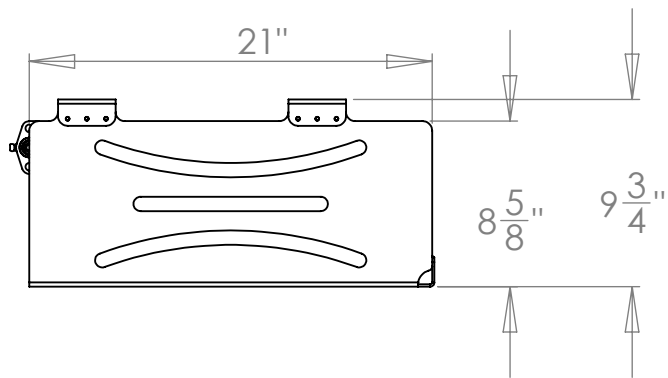
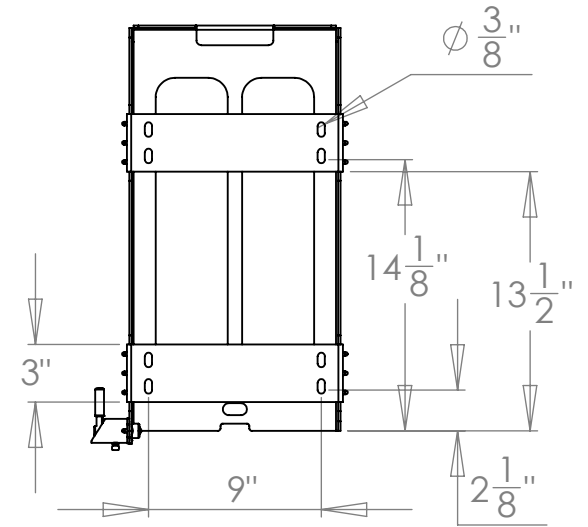


ITD1007L



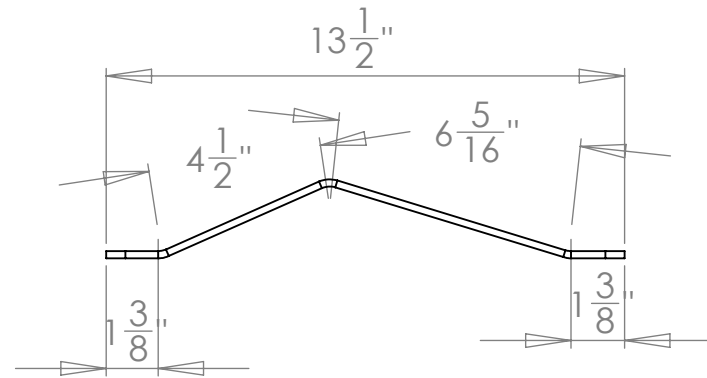
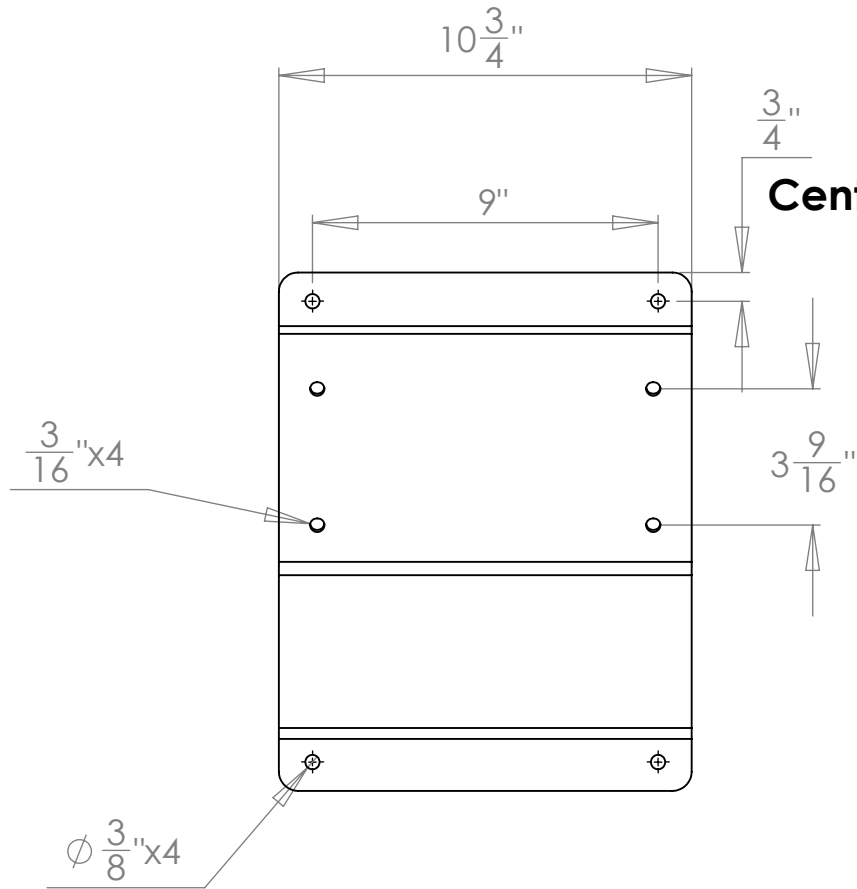
ITD1007R



Dimensions are for reference only

In The Ditch Towing Products	
PART NAME Aluminum Tire Stand Mount	
SIZE PART NO.	ITD1007
A	
SHEET SCALE 1:10	SHEET 1 of 2

ITD1006 Century Adapter Bracket



Dimension are for reference only

DRAWN BY: KBH DRAWN DATE: 9/8/2010 UNLESS OTHERWISE SPECIFIED: DIMENSIONS ARE IN INCHES TOLERANCES: FRACTIONAL $\pm 1/16"$ ANGULAR: MACH $\pm 0.25^\circ$ BEND $\pm 1.5^\circ$ TWO PLACE DECIMAL $\pm 0.020"$ THREE PLACE DECIMAL $\pm 0.005"$ MATERIAL: See BOM DO NOT SCALE DRAWING	Inventive LLC In The Ditch Towing Products PART NAME ATSM bracket - rear Century SIZE PART NO. A ITD1006 SHEET SCALE 1:10 SHEET 2 of 2
---	---