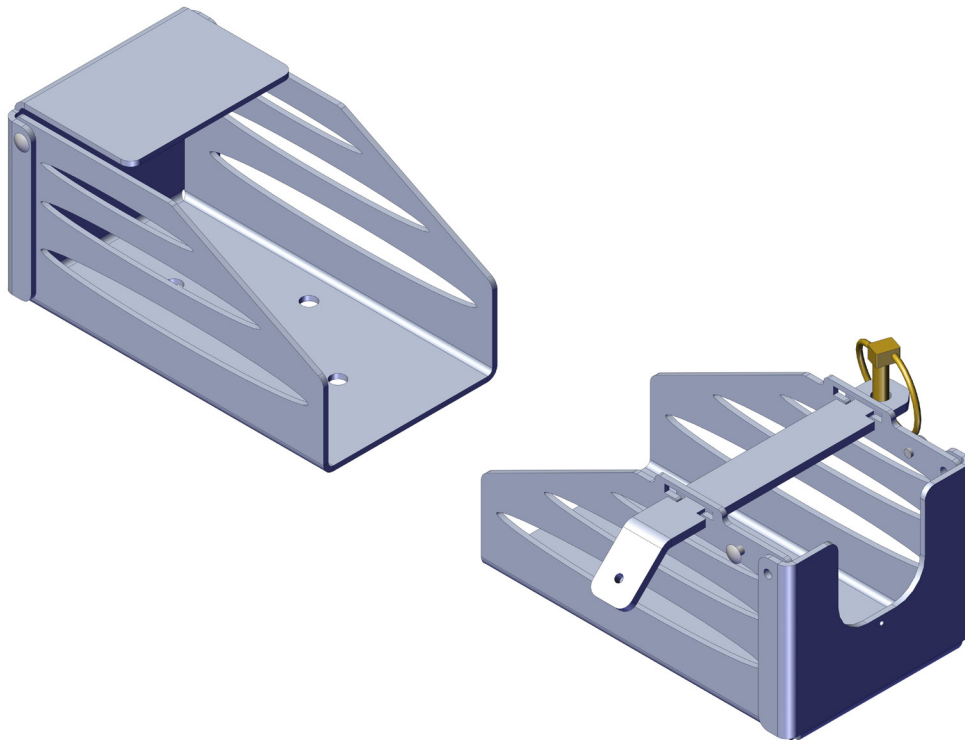


# 4 x 4 LUMBER BASKET

## ITD11676

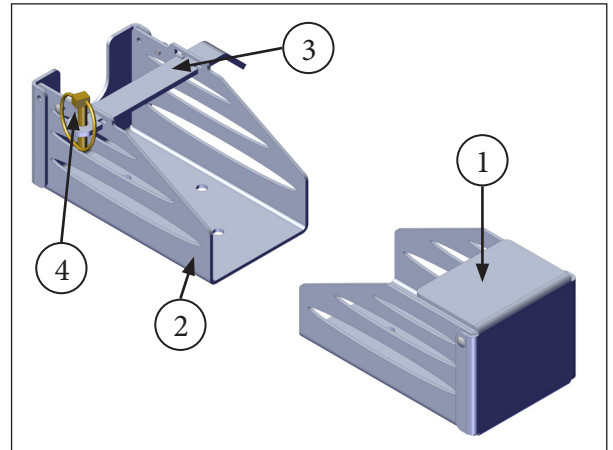
### OPERATIONS MANUAL



208-587-7960  
[www.InTheDitch.com](http://www.InTheDitch.com)

## ITD11676 4 X 4 Lumber Basket Parts

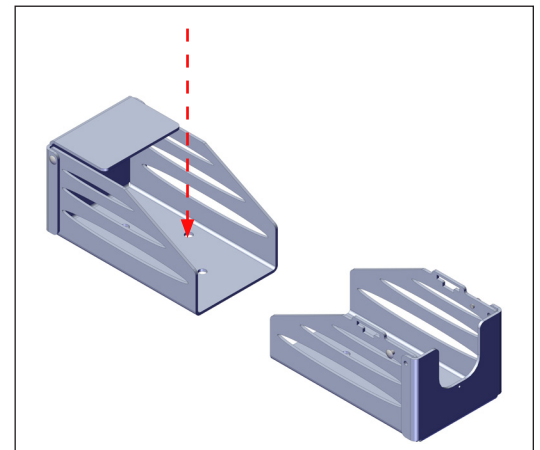
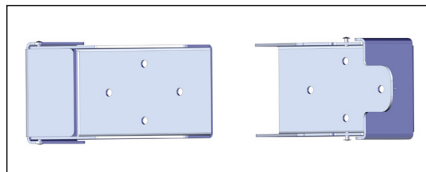
ITEM#	QUANTITY	DESCRIPTION	PART #
1	1	Slide In End	ITD11689
2	1	Locking End	ITD11690
3	1	Lock Bar	ITD11691
4	1	5/16" Lynch Pin	ITD7099



## Installation

ITD recommends ( 2 ) 1/4" bolts or ( 2 ) 5/16" self tapping screws per side for installation.

ITD has designed the ITD11676 4 X 4 Lumber Basket with a 4 hole mount pattern giving the installer the different options on how they want to mount it.



## Instructions For Use

**1. Remove Lock Bar**

**2. Slide 4 X 4 in to place**

**3. Replace Lock Bar and secure with 5/16" Lynch Pin**

