

OPERATIONS MANUAL

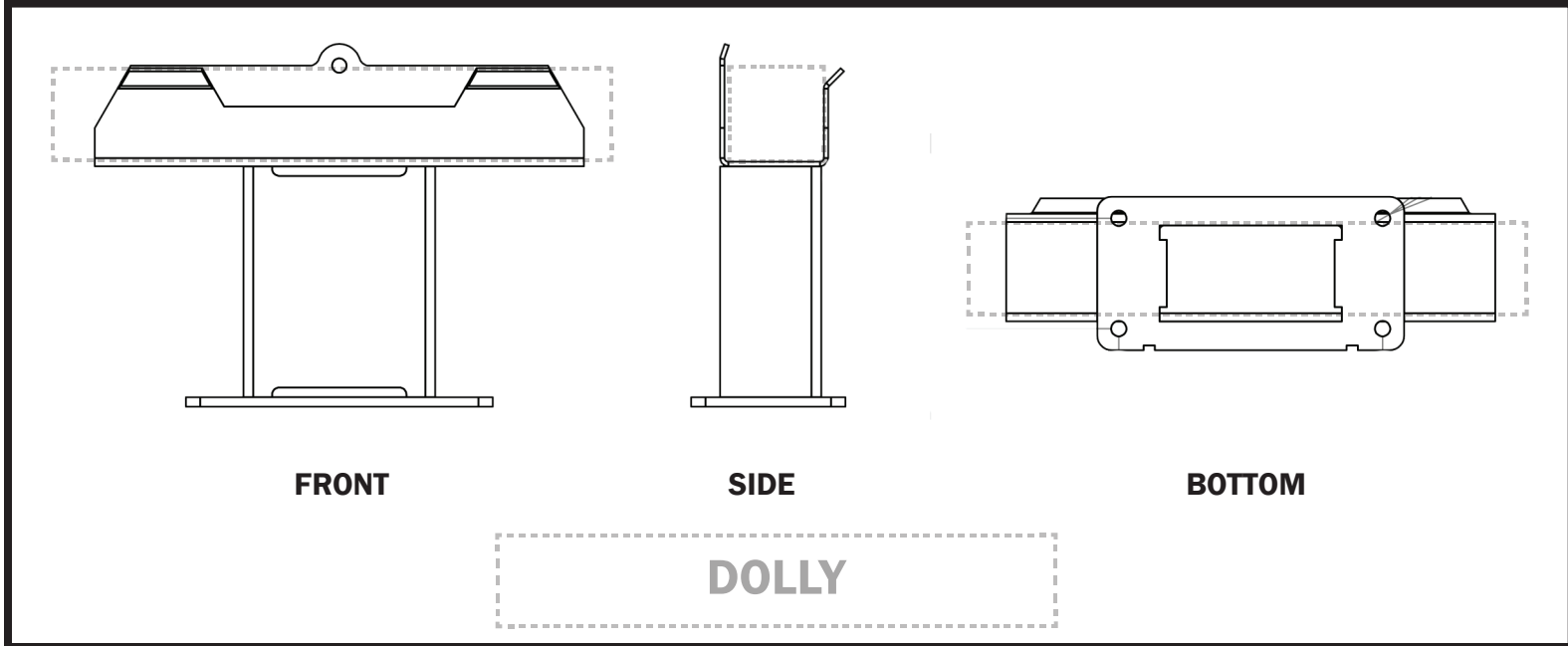
ITD1352-Standard Simple Mount
ITD1353-Short Simple Mount
ITD1354-XD Simple Mount



CAUTION



Due to variances in towing wrecker and carrier designs, ITD cannot provide explicit mounting requirements for every mounting option. These are only guidelines, final installation requirements are left up to the discretion of a qualified installer. ITD **WILL NOT** warranty any damage to tool boxes or dollies resulting from inadequate mounting.



IMPORTANT WARNINGS



READ ALL SAFETY WARNINGS & INSTRUCTIONS CAREFULLY BEFORE MOUNTING OR OPERATING YOU SIMPLE MOUNT

Make sure dollies are secure in mounts.

Failure to do so could result in *injury or death*

Only use In The Ditch brand dollies in ITD dolly mounts.

Be sure to follow all local, state and federal laws pertaining to operating a commercial vehicle.

It is the drivers responsibility to make sure all items are secure on truck

IT IS REQUIRED TO USE A 1/4" OR 8mm PAD LOCK TO SECURE DOLLY TO MOUNT

DAILY CHECKLIST

Verify all mounting hardware is secure and tight. Pull dolly in all directions to make sure dolly will not fall out of simple mount

WARNING

Inspect and re-tighten after first 10 uses



www.InTheDitch.com