

ITEM NO.	PART NUMBER	DESCRIPTION	QTY.
1		Lug nut	4
2	ITD7093	5.70 TIRE (LOAD RANGE C)	2
3	ITD7094	4 on 4" Aluminum Rim	2
4	ITD7013	DUST CAP	2
5	ITD7006	COTTER PIN (1.50")	1
6	ITD7004	1" - 14 CASTLE NUT	1
7	ITD7005	1" WASHER	1
8	ITD7014	1" Bearing	2
9	ITD7003	4 ON 4" HUB / 2 - 1" WHEEL BEARINGS	2
10	ITD7011	HUB SEAL	1
11	ITD7015	5/16" ROLL PIN	2
12	ITD7002	Cam Lock Spring	2
13	ITD6839-03	CL-DETENT PIN	2

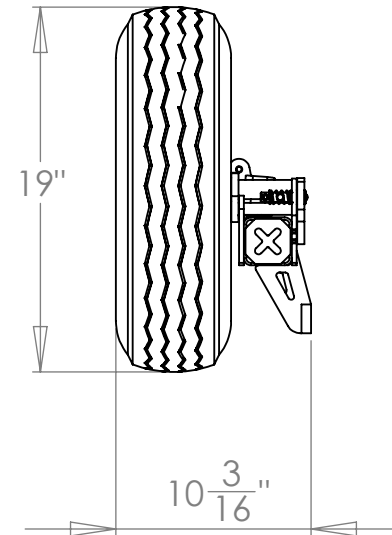
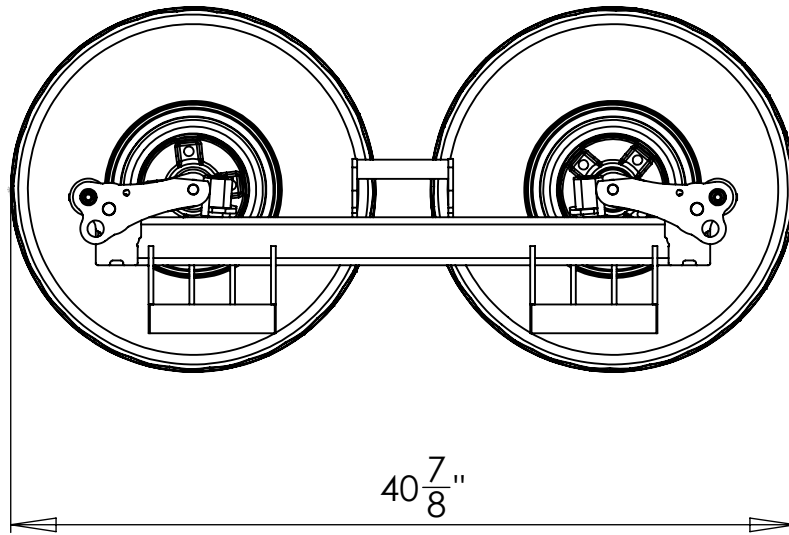
In The Ditch Towing Products

PART NAME
Speed Dolly

SIZE PART NO.
A ITD1490

SHEET SCALE 1:50

Stowed Position



Dimensions are for reference only, actual dimensions may vary.

In The Ditch Towing Products	
PART NAME	Speed Dolly
SIZE PART NO.	A ITD1490
SHEET SCALE 1:50	SHEET 2 of 2