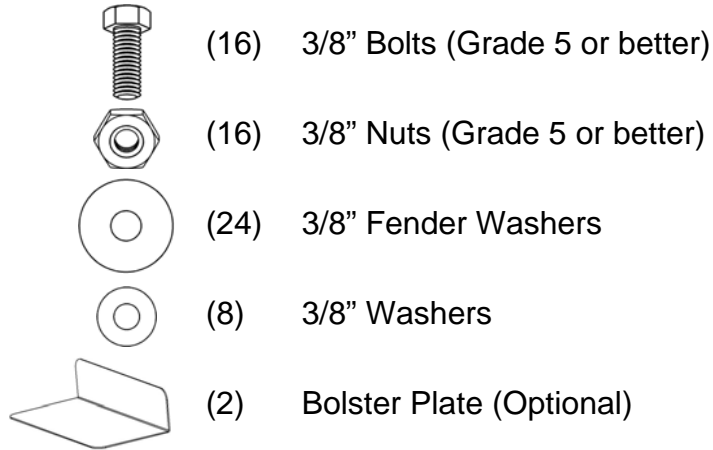


Installation Guide for the Tilt-n-Slide

Below is a list of parts you will need to install a Tilt-n-Slide for the box mounted version. Mounting hardware is NOT included with product.

Required Mounting Hardware List:



MOUNTING INSTRUCTIONS

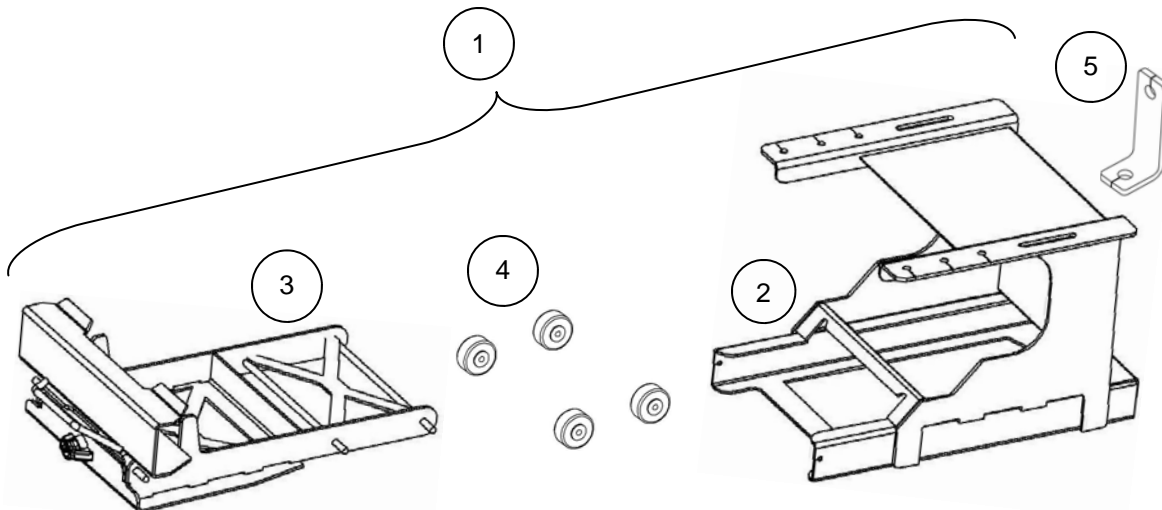


READ ALL SAFETY WARNINGS & INSTRUCTIONS CAREFULLY BEFORE MOUNTING OR OPERATING YOUR TILT-N-SLIDE.



Parts List:

Item #	Qty	Description	Part #
1	(2)	Tilt-n-Slide Assembly	ITD1350
2	(2)	Main Mount Assembly	ITD6894
3	(2)	Sliding Assembly	ITD6893
4	(8)	2" Composite Wheels	ITD6895
5	(4)	Box Mount Stiffeners	ITD6890



For missing or damaged parts, please call 1-888-993-4824

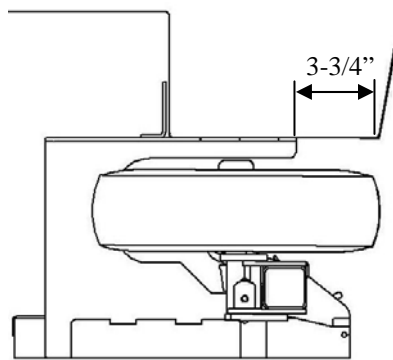


Caution

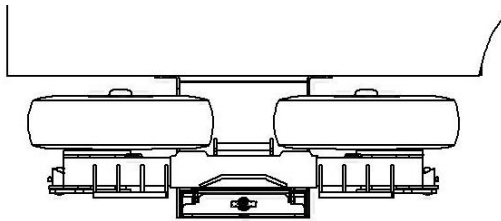


Due to variances in tool box designs, ITD cannot provide explicit mounting requirements for every box. These are only guidelines, final installation requirements are left to the discretion of the installer. ITD will NOT warrantee any damage to tool boxes resulting from inadequate mounting.

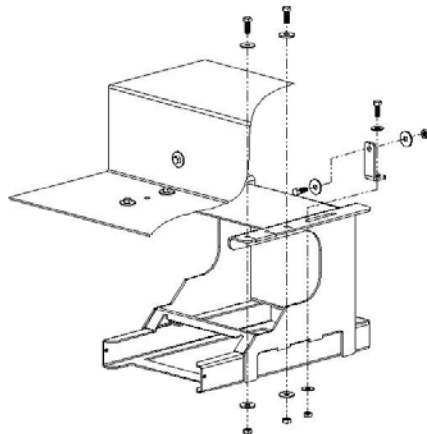
Step 1



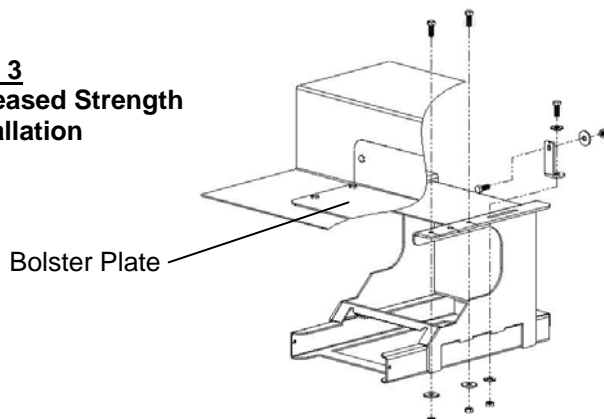
Step 2



Step 3 Standard Installation



Step 3 Increased Strength Installation



WE RECOMMEND TWO PEOPLE WORK TOGETHER TO MOUNT THIS UNIT

Step 1

To ease placement, utilize a floor jack to hold the unit up while fine tuning the final position.

Note: Front edge of mount must be a maximum of 3-3/4" from the edge of the tool box

Step 2

Place mount under tool box in desired position. Once placed, mark 6-8 hole positions.

Step 3

After holes have been drilled utilize one of the two methods suggested below for mounting.

Method 1 - Standard Installation

Utilize 6 to 8 - 3/8" bolts with fender washers to help distribute load.

Always use Box Mount Stiffeners

Method 2 - Increased Strength Installation

If installer has decided that washer are insufficient to hold the unit. Utilize a bolster plate on the inside of the tool box. This will allow for a greater distribution of load.

Always use Box Mount Stiffeners.

Before First Use Checklist:

- All nuts and bolts are tight
- Front retaining bolts are installed and tight



Warning



Inspect and retighten after first 10 uses