

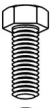




Installation Guide for Universal Mount

ITD1162/ITD1182

Below is a list of parts you will need to install a set of Universal Mounts.
Mounting hardware is NOT included with product.

Minimum Required Mounting Hardware List:

-  (12) 3/8" Bolts (Grade 5 or better)
-  (12) 3/8" Washers
-  (12) 3/8" Lock Washers

MOUNTING INSTRUCTIONS

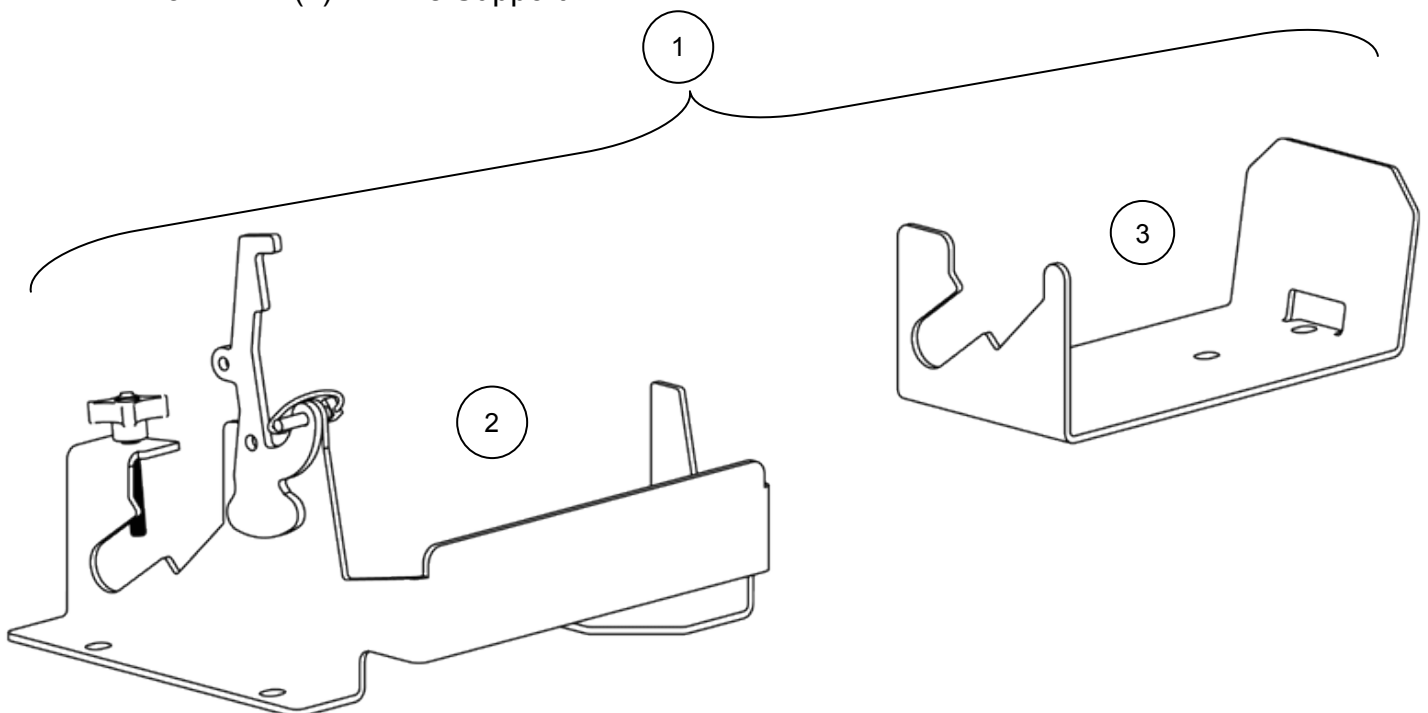


READ ALL SAFETY WARNINGS & INSTRUCTIONS CAREFULLY
BEFORE MOUNTING OR OPERATING YOUR DOLLY MOUNT



Parts List:

Item #	Qty	Description	Part #
1	(2)	Universal Mount Set	ITD1162/ ITD1182
		*Right/Left Configurations	
2	(2)	Main Mount Support	-
3	(2)	Axle Support	-



For missing or damaged parts, please call 1-888-993-4824

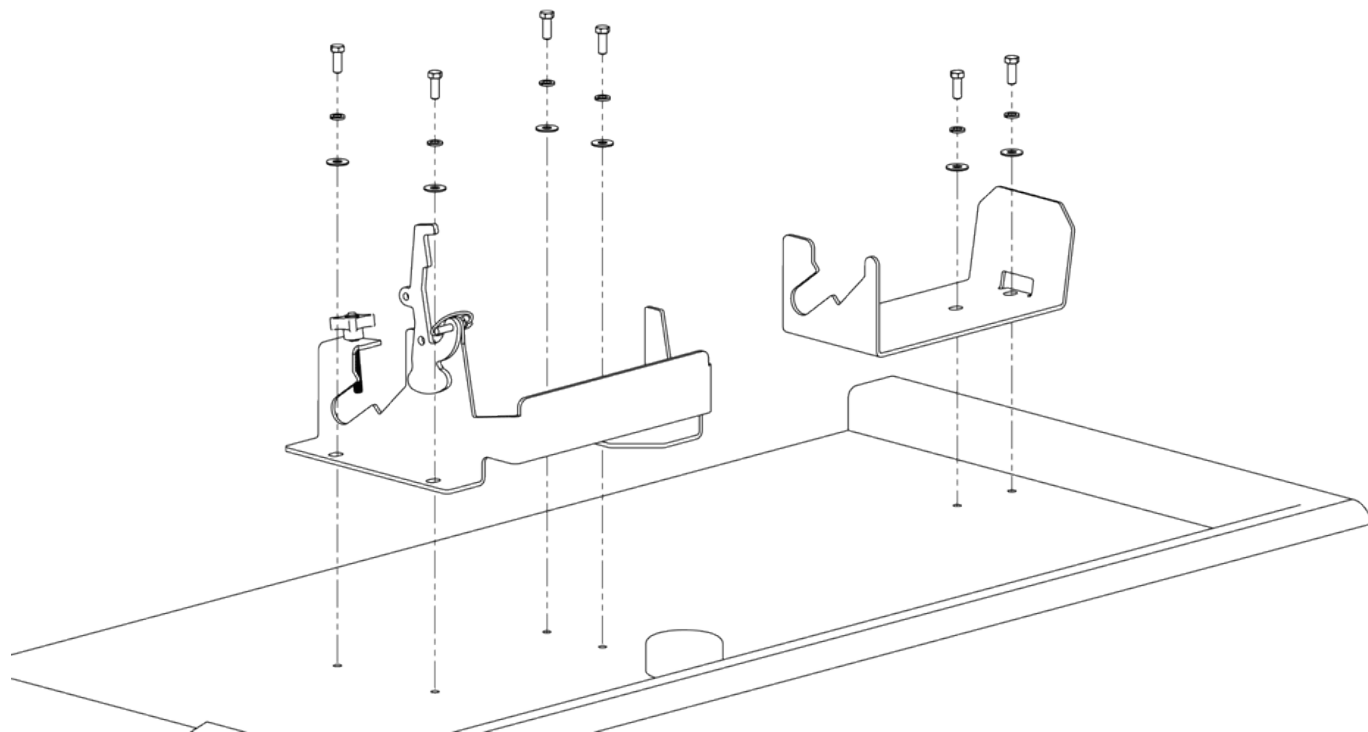
ITD0115



Caution



Due to variances in tool box designs, ITD cannot provide explicit mounting requirements for every box. These are only guidelines, final installation requirements are left to the discretion of the installer. ITD will NOT warrantee any damage to tool boxes resulting from inadequate mounting.



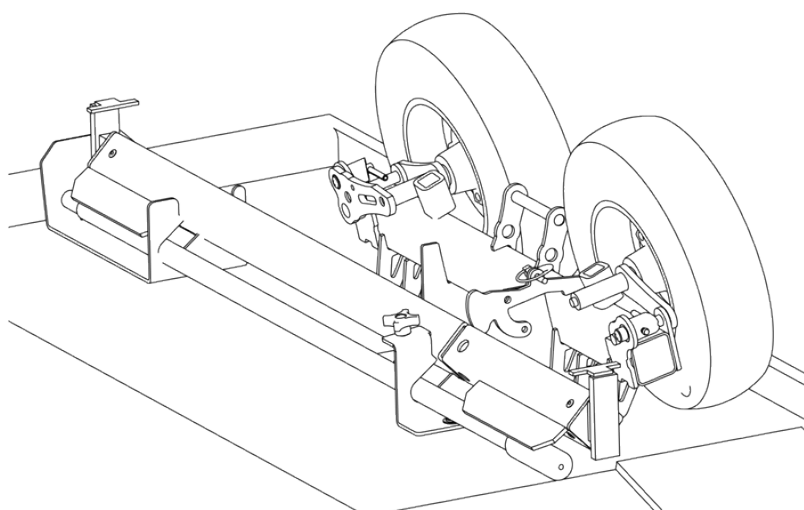
Jerr-Dan Mounting (MPL, MPL40, Element)

Simply use 3/8" bolts, lock washers, and washers to attach to standard bolt hole pattern pre-drilled in body.

Universal Mounting

Place mount on deck with product installed. Use axle and break-over bar to align the Axle Support.

Mark and drill six (6) mounting holes per side. Use 3/8" bolts, washers, lock washer, and/or locking nut.



- Before First Use Checklist:**
All nuts and bolts are tight



Warning



Inspect and retighten after first 10 uses