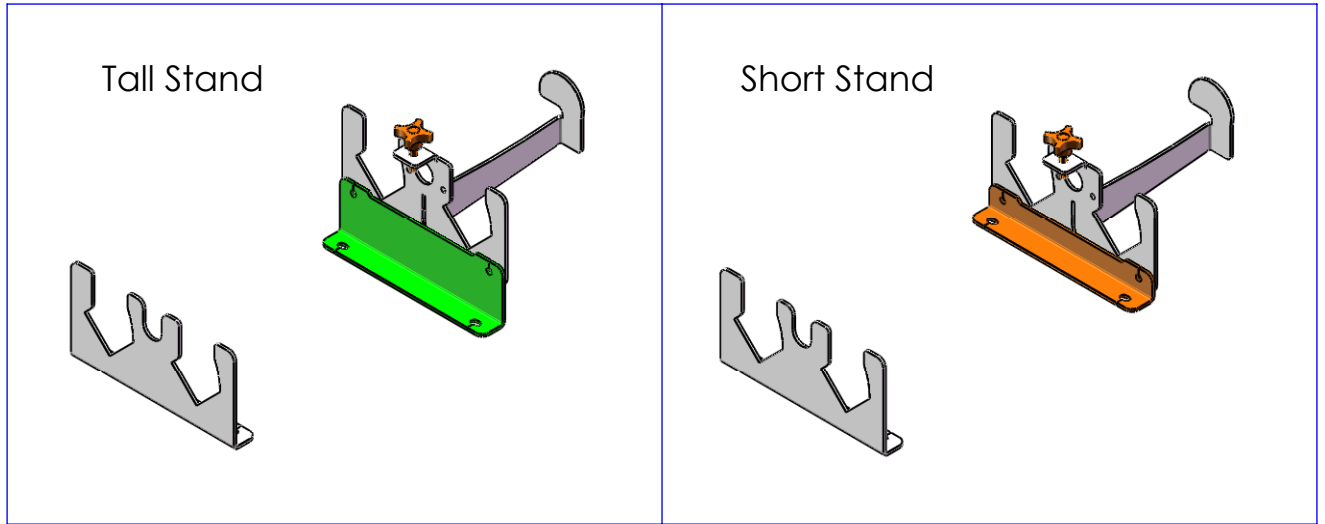
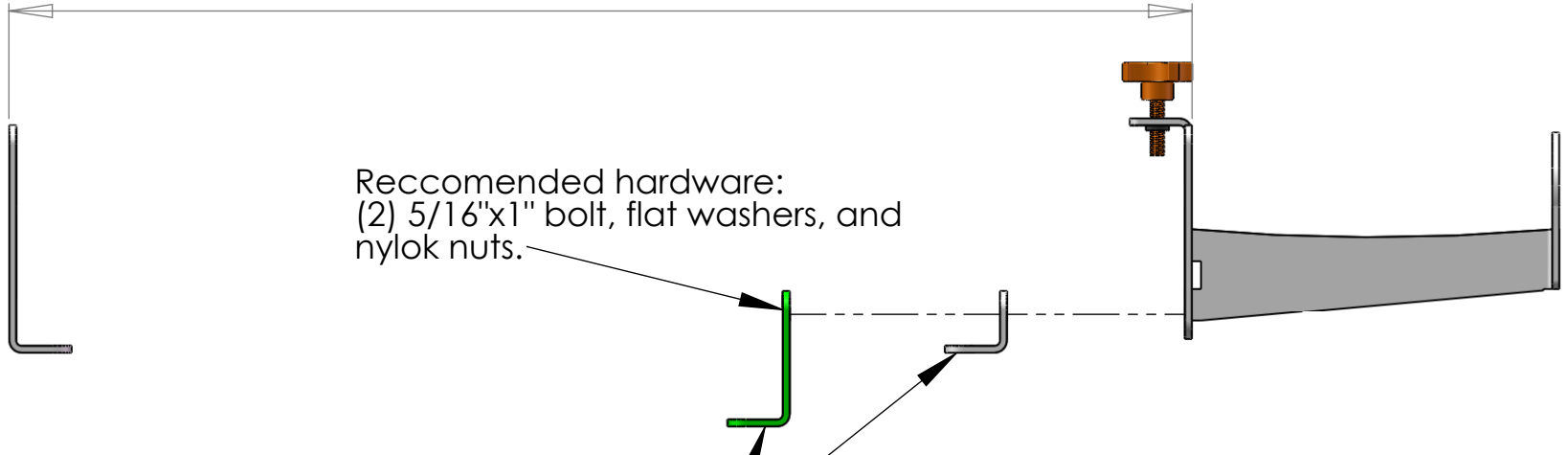


# Double Axle Rack ITD1027



Mount no more than 34"  
Apart from outside of plate to outside of plate.



Reccomended hardware:  
(2) 5/16"x1" bolt, flat washers, and  
nylok nuts.

Mount with either tall or short foot  
to attain best mounting height.

In The Ditch Towing Products	
PART NAME	Axle Storage Rack - Double
SIZE PART NO.	ITD1027
<b>A</b>	SHEET SCALE 1:20
	SHEET 1 of 1