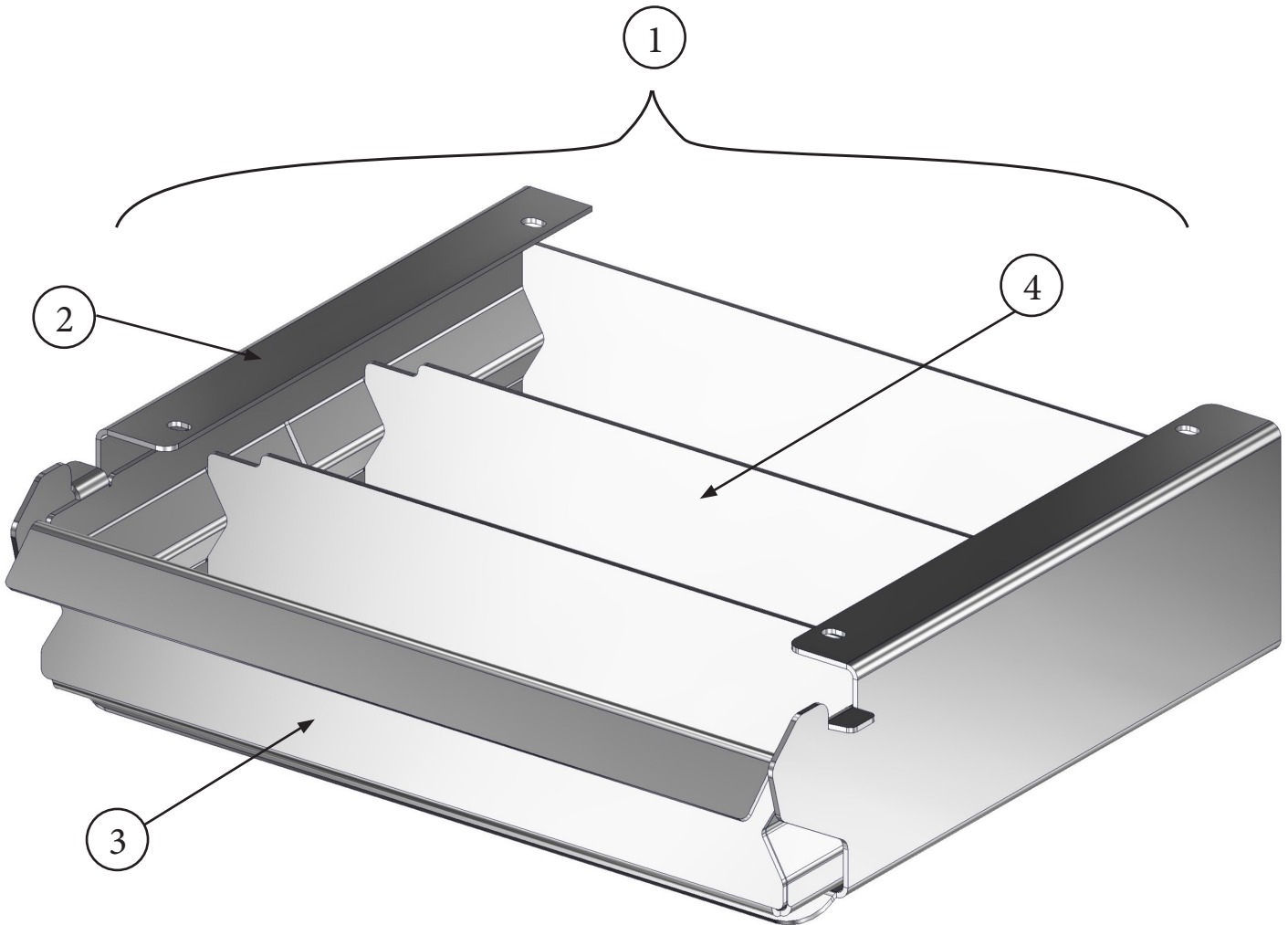


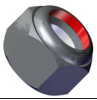

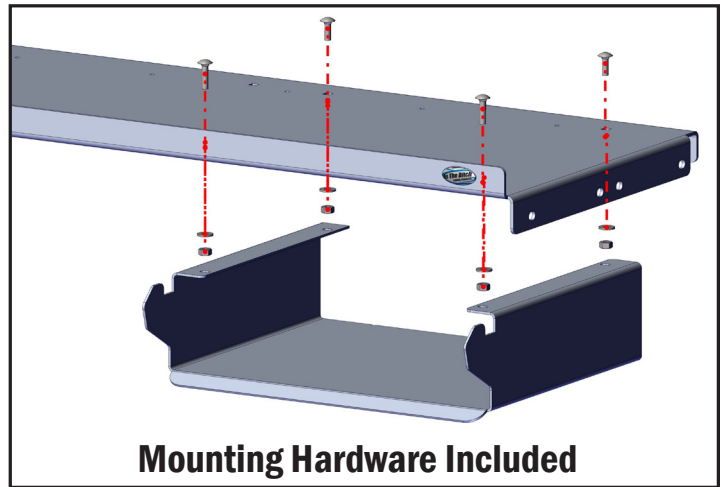


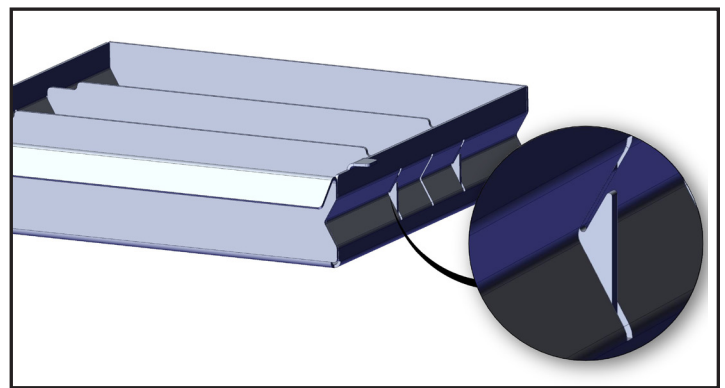
ITEM#	QUANTITY	DESCRIPTION	PART #
1	1	Slide Out Drawer (Complete Assembly)	ITD1613
2	1	Slide Out Drawer Bracket	ITD1614
3	1	Slide Out Tray	ITD1615
4	2	Drawer Dividers	ITD1616



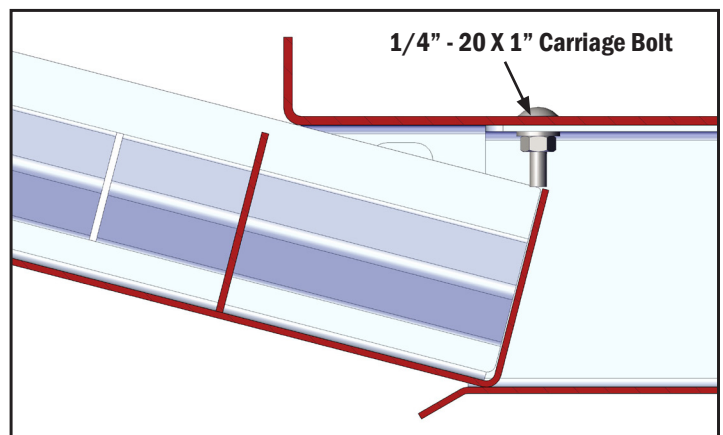
	DESCRIPTION	QUANTITY
	1/4" - 20 X 1" Carriage Bolt (Front of Shelf)	2
	1/4" - 20 X 3/4" Carriage Bolt (Back of Shelf)	2
	1/4" Nylock Nuts	4
	1/4" Flat Washers	4



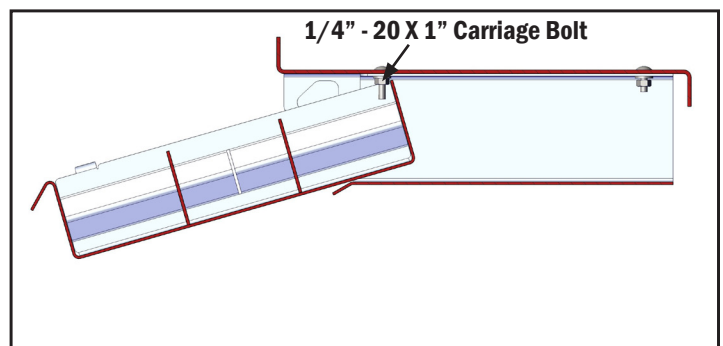
1 **Install Drawer Dividers into the slide out tray slots. Bend the tab over to secure the drawer divider into place.**



2 **Place the Slide Out Tray into Slide Out Drawer Bracket by inserting the back of the Slide Out Tray at an angle that will clear the mounting bolt.**



3 **The front mounting bolt can also be used as a stop for the Slide Out Tray, this will allow the user easier access to the tray.**



ITD1613 Slide Out Drawer has a 20lbs. Load Limit