

MODULAR SPEED[®] MOUNT

OPERATIONS MANUAL

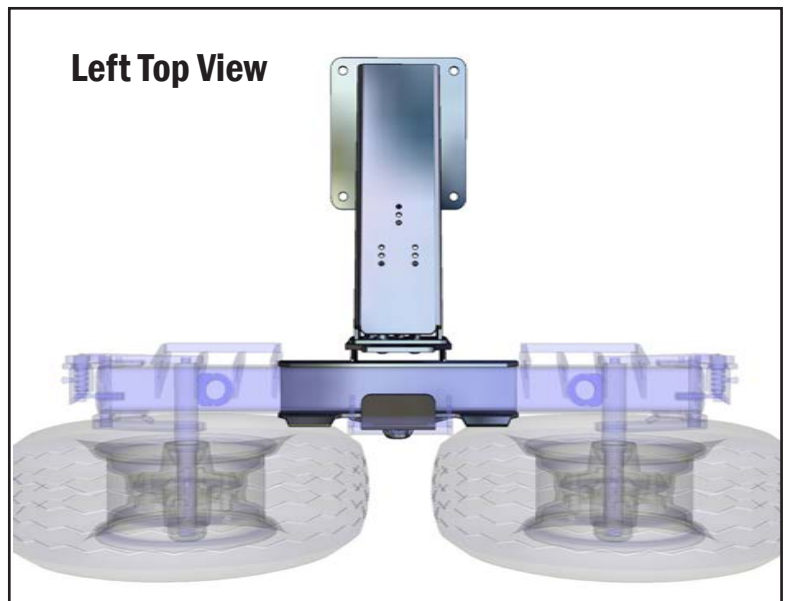
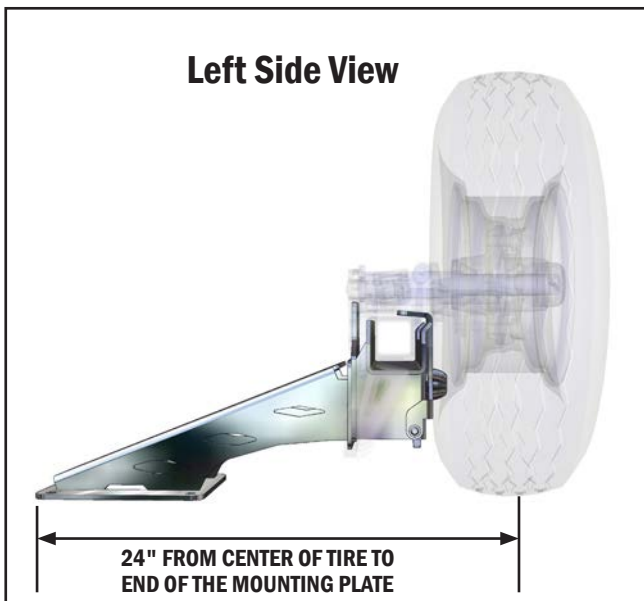
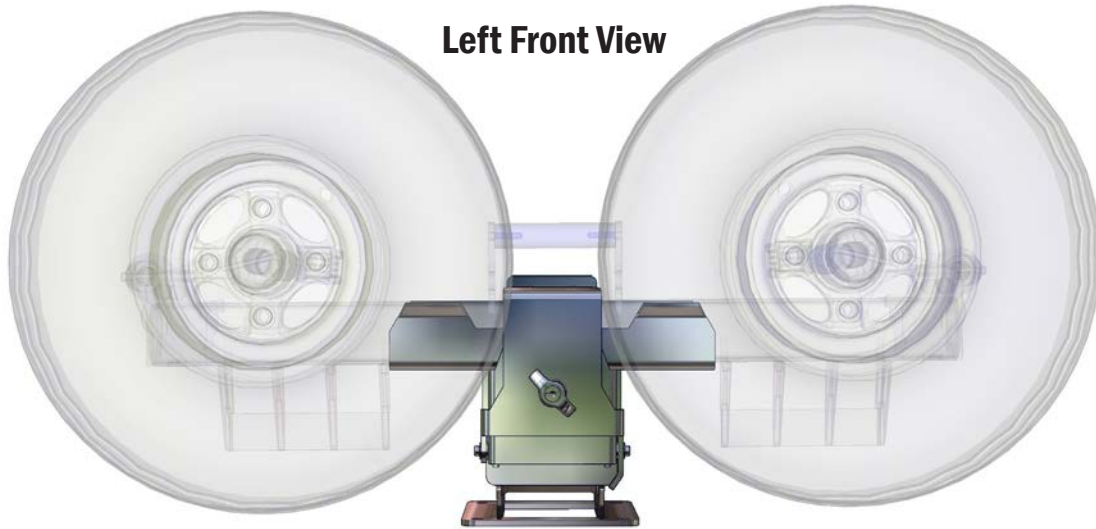


208-587-7960

www.InTheDitch.com

ITD4665 - L Modular Speed® Mount Left (Drivers Side)

ITD4665 - R Modular Speed® Mount Right (Passengers Side)



Shown - ITD4665 - L Modular Speed® Mount with ITD1480 Dolly
This mount is NOT compatible with XD™ series dollies

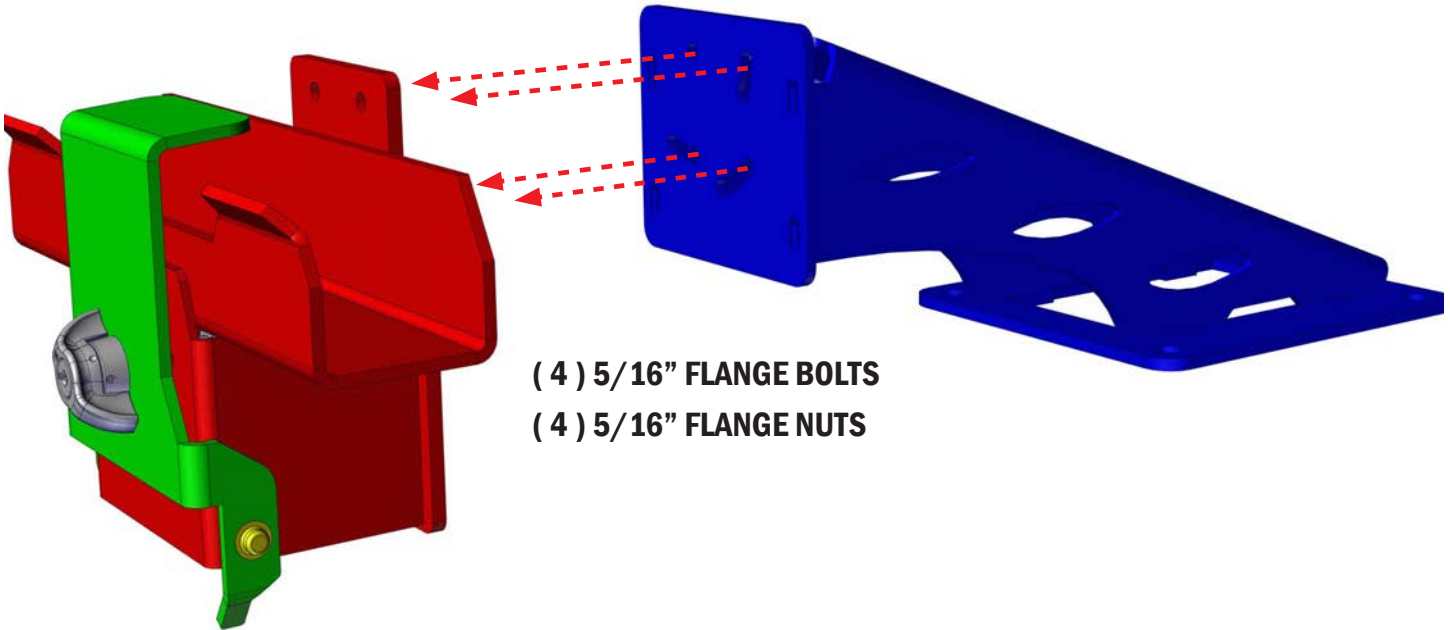
WARNING

Due to variances in towing wrecker and carrier designs, ITD cannot provide explicit mounting requirements for every mounting option. These are only guidelines, final installation requirements are left up to the discretion of a qualified installer. ITD WILL NOT warranty any damage resulting from inadequate mounting.

ASSEMBLY INSTRUCTIONS

Adjustable Dolly Cradle

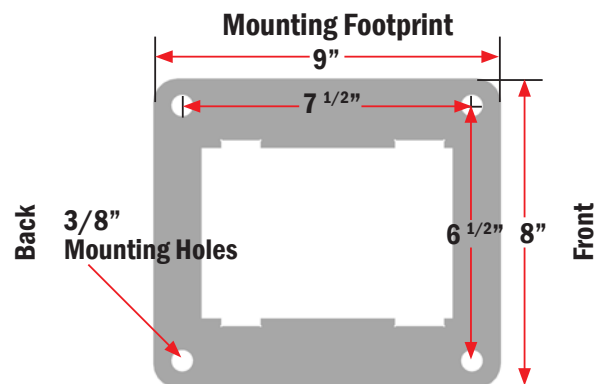
Main Support



RECOMMENDED MOUNTING HARDWARE

- (4) 3/8" Bolts (Length depends on mounting location)
- (4) 3/8" Nylock Nuts
- (8) 3/8" Flat Washers

MOUNTING HARDWARE NOT INCLUDED
SEE PG 10 FOR FULL DIMENSIONS OF MOUNT



Shown - ITD4665 - L Modular Speed[®] Mount

WARNING

Read all safety warnings & Instructions carefully before mounting or operating your Modular Speed™ Mount.

Make sure dollies are secure in mounts. Failure to do so could result in injury or death.

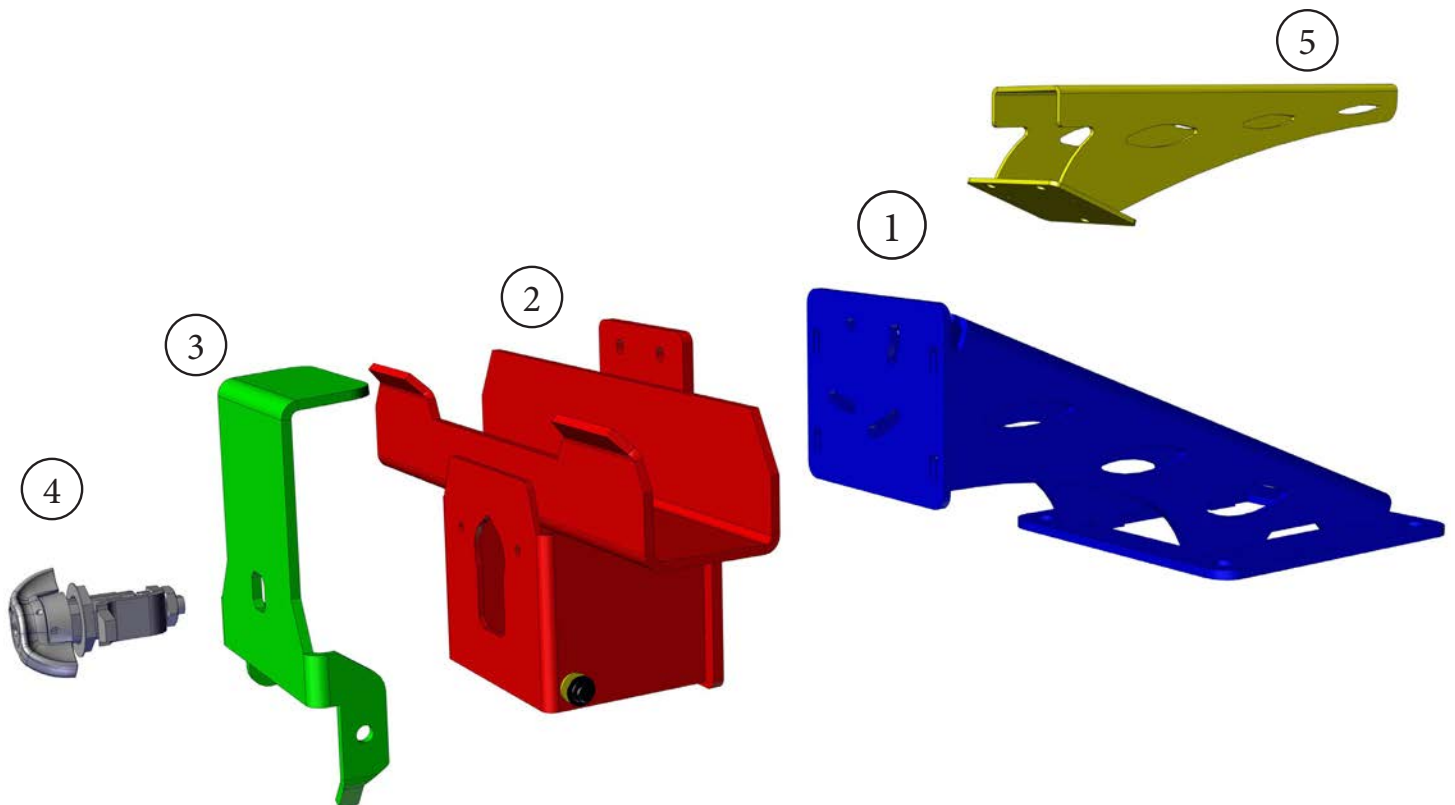
Only use In The Ditch brand dollies in ITD dolly mounts.

Be sure to follow all local, state and federal laws pertaining to operating a commercial vehicle.

It is the drivers responsibility to make sure all items are secure on truck.

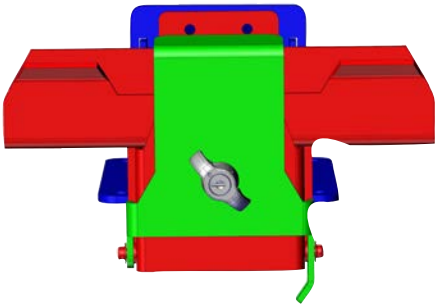
REPLACEMENT PARTS

ITEM#	DESCRIPTION	PART #
1	Main Body Left (Drivers Side)	ITD4350-L
	Main Body Right (Passengers Side)	ITD4350-R
2	Cradle Head	ITD2031
3	Locking Door	ITD4345-01
4	Vice Action Lock	ITD7020
5	Axle Support Arm	ITD4315

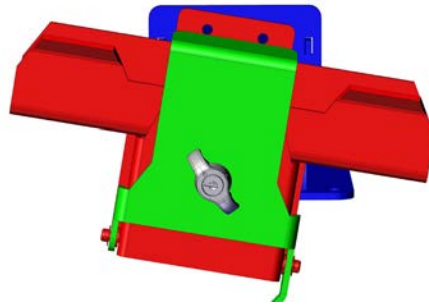


MULTIPLE ADJUSTMENT OPTIONS

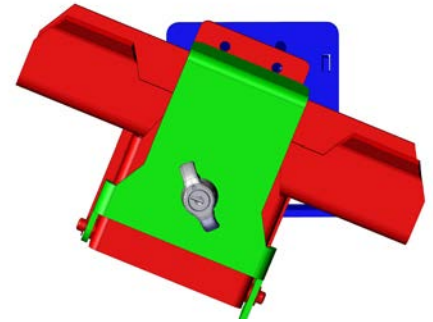
0° - 22° Angle of Adjustment



0° Angle Adjustment

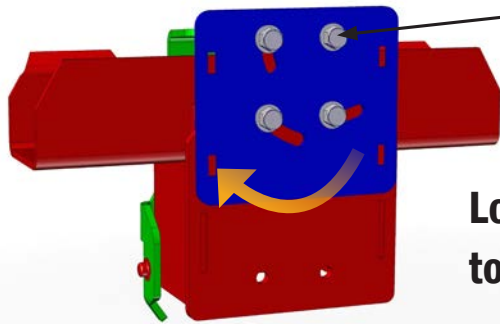


11° Angle Adjustment

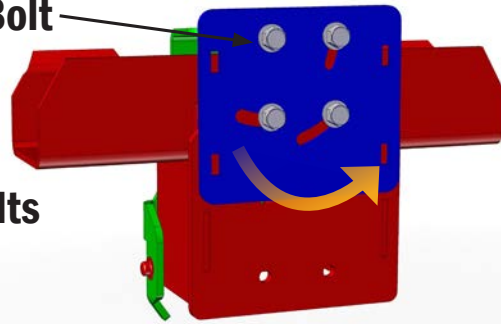


22° Angle Adjustment

Cut-Away View ITD4665-L



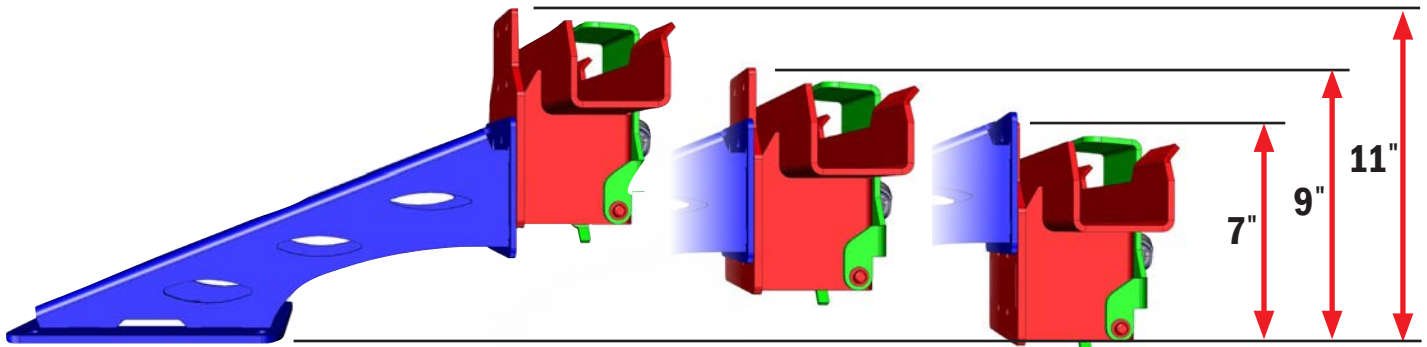
Cut-Away View ITD4665-R



Pivot Bolt

**Loosen Bolts
to Adjust**

**7" to 11"
(2 Inch Incremental Adjustment)**

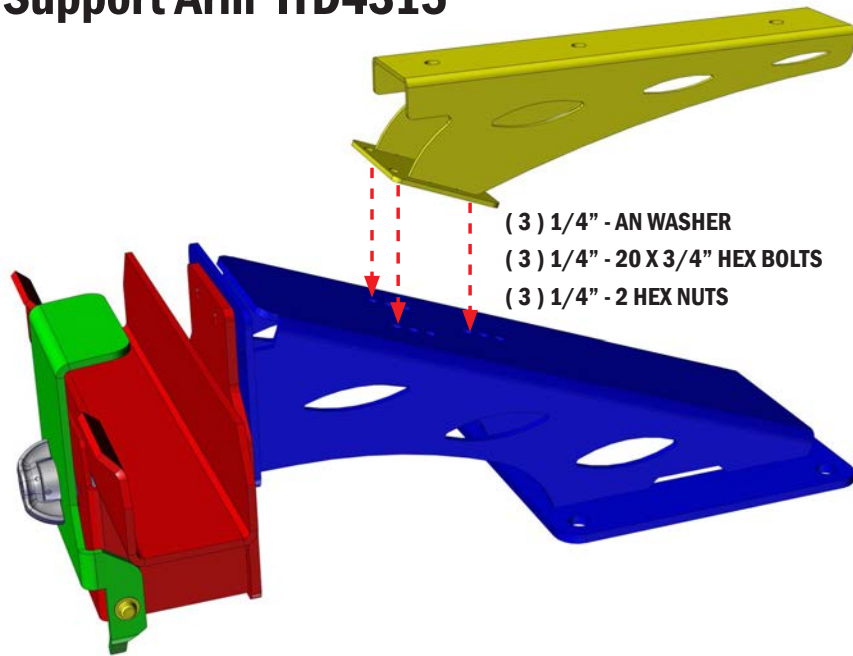


Adjust height and angle of the ITD4665 Modular Speed® Mount according to your individual truck body, and ITD dolly.

Shown - ITD4665- L Modular Speed® Mount with ITD1480 Dolly on Chevron Outlaw 401 Body

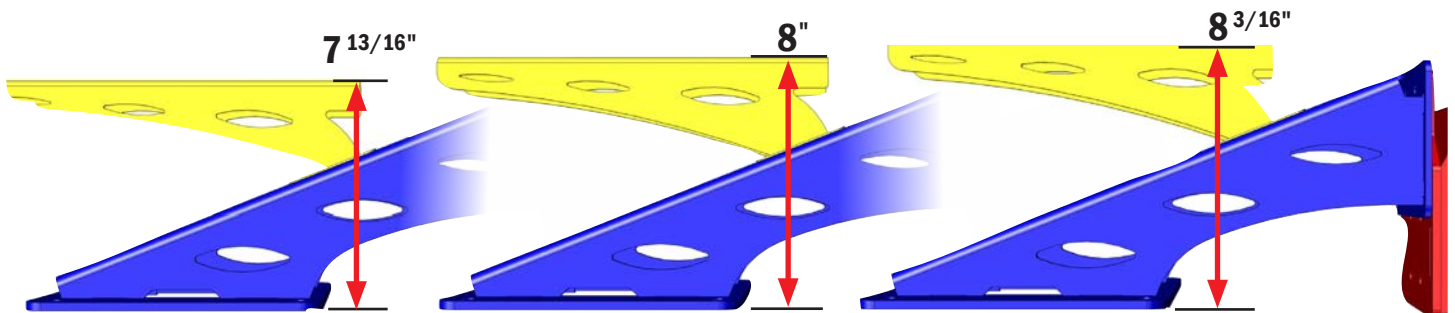


Optional Axle Support Arm ITD4315



MULTIPLE ADJUSTMENT OPTIONS FOR AXLE SUPPORT ARM

Axle Support Arm has three mounting locations

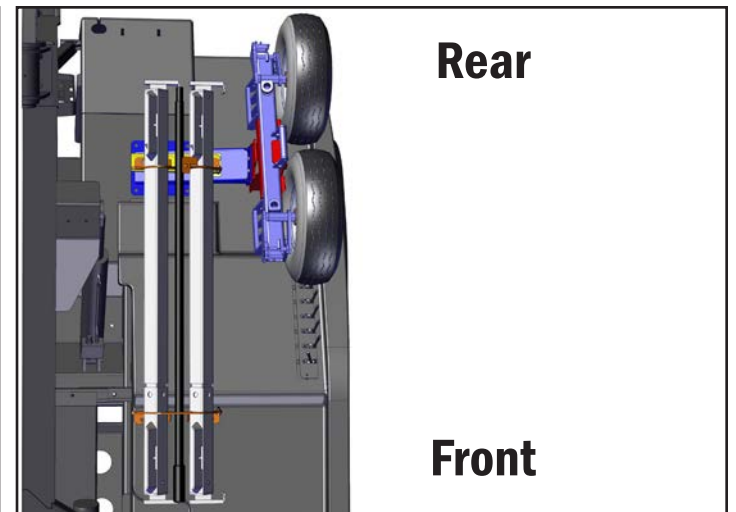
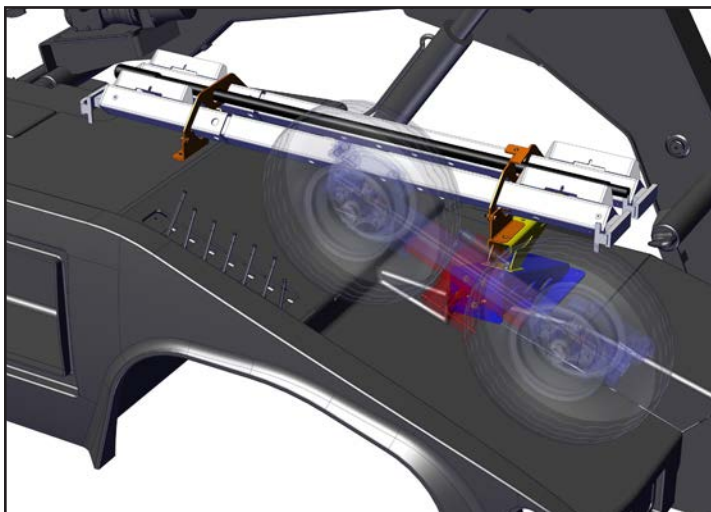
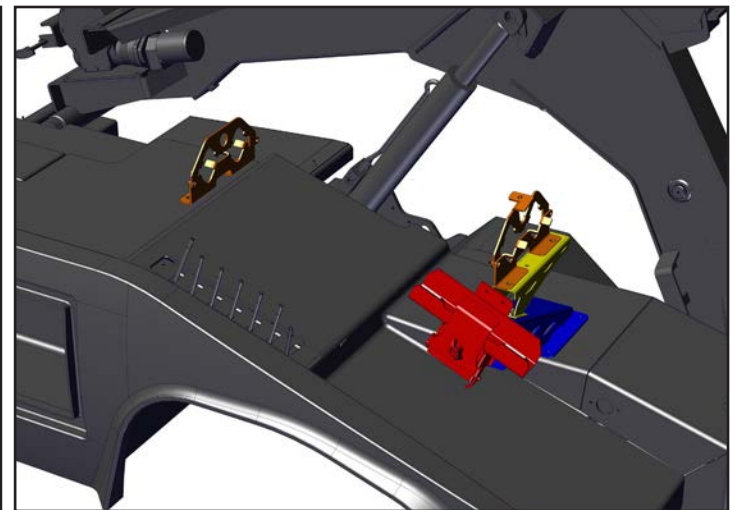
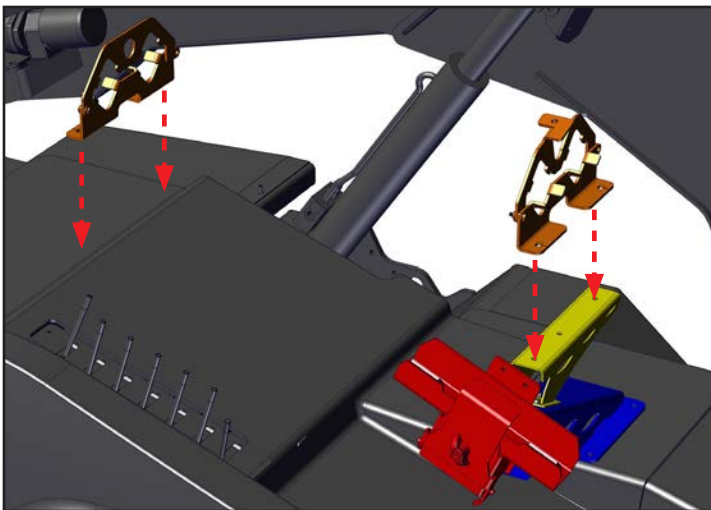
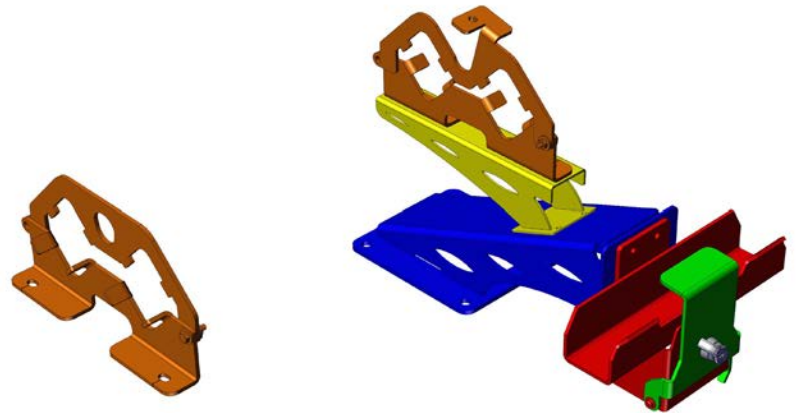


Products that can mount on Axle Mount Support Arm

OPTIONAL ACCESSORIES

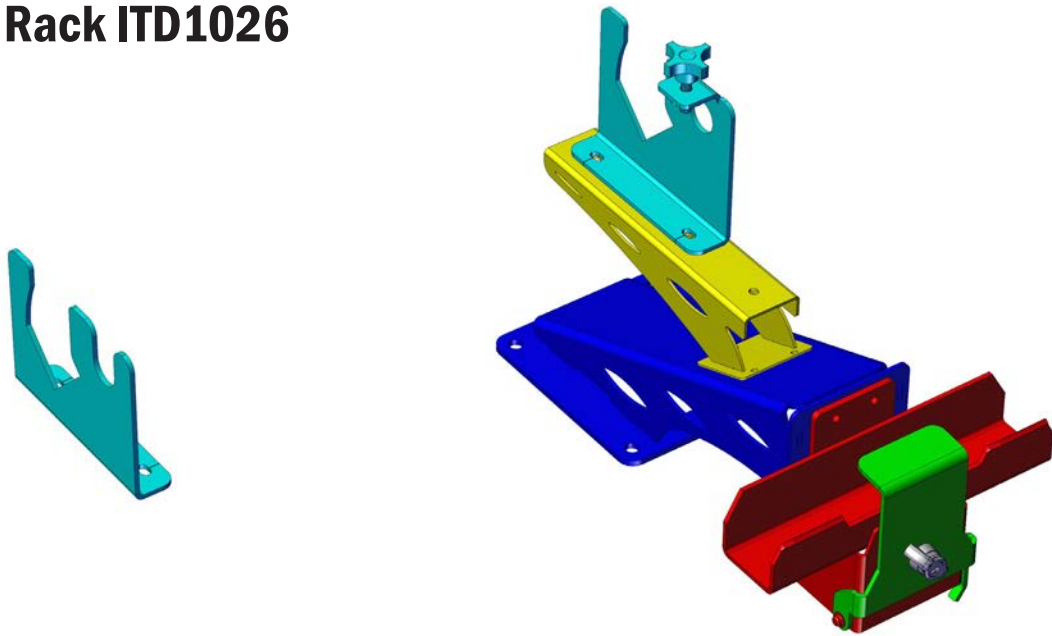
W-Mount ITD1242

All accessories that are compatible with the ITD4665 Modular Speed® Mount will install similar to the W-Mount. It is the responsibility of the installer to ensure mount is securely installed.

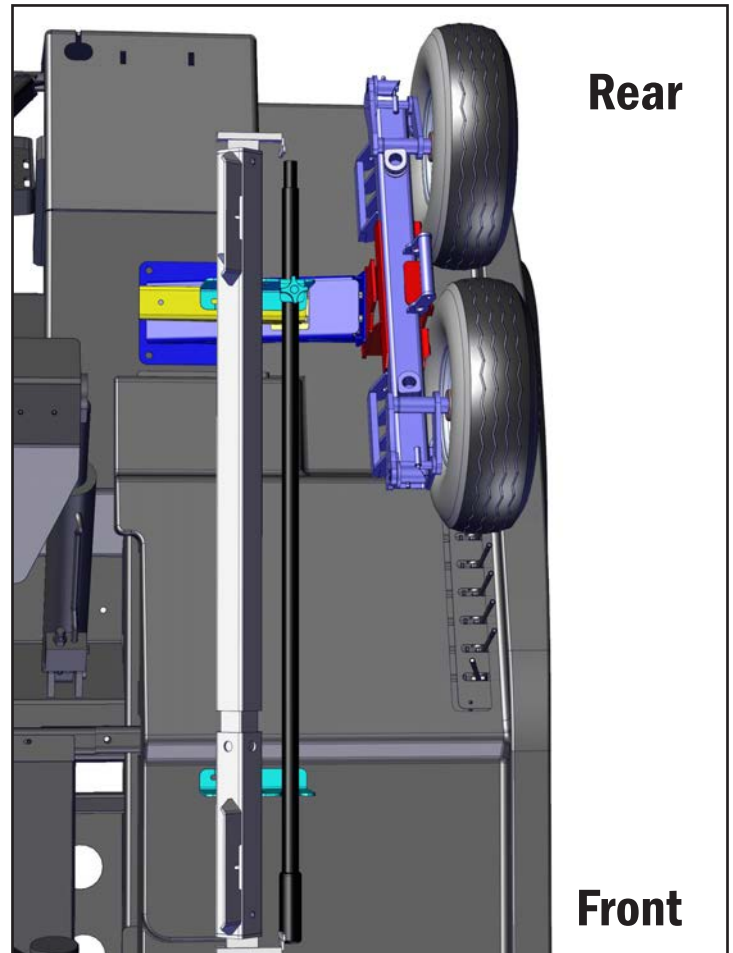
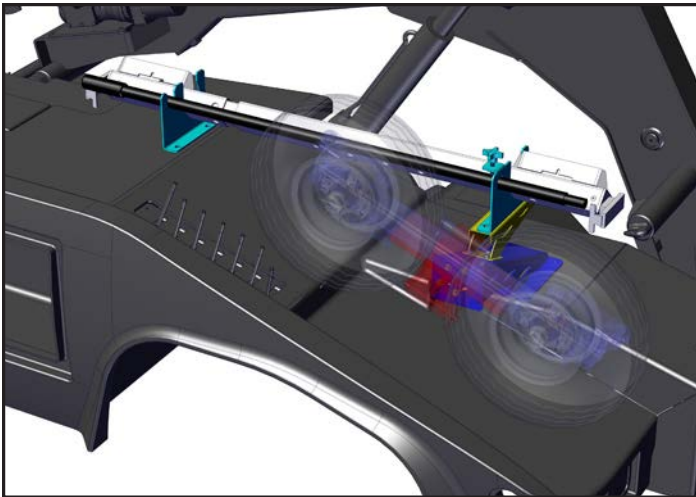


Shown - ITD4665 - L Modular Speed® Mount and ITD4315 Axle Support Arm with ITD1480 Dolly and W-Mount on Chevron Outlaw 401 Body

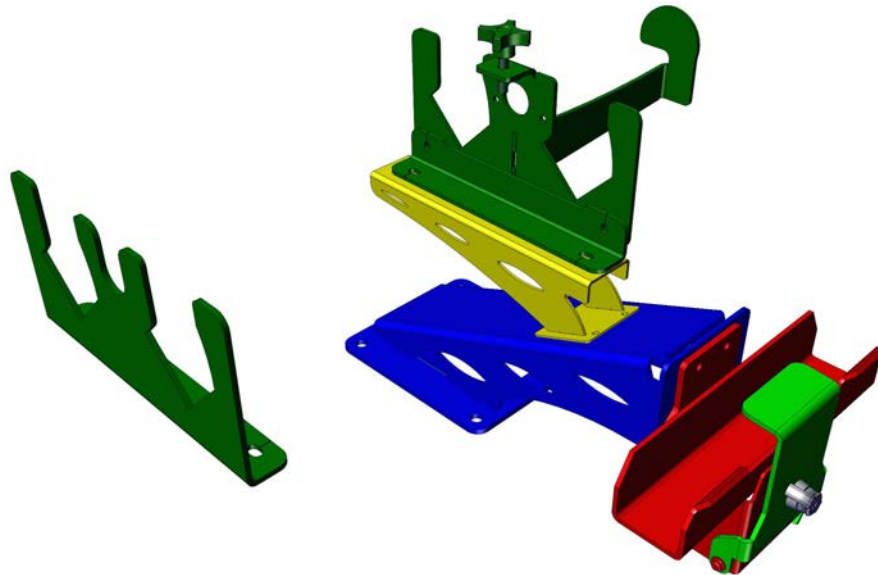
Single Axle Rack ITD1026



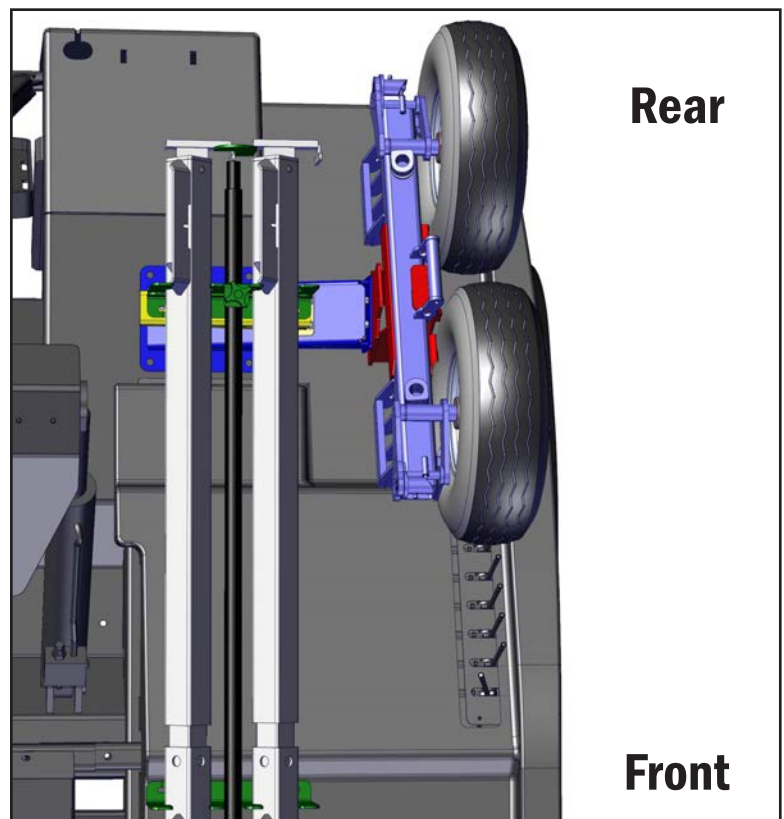
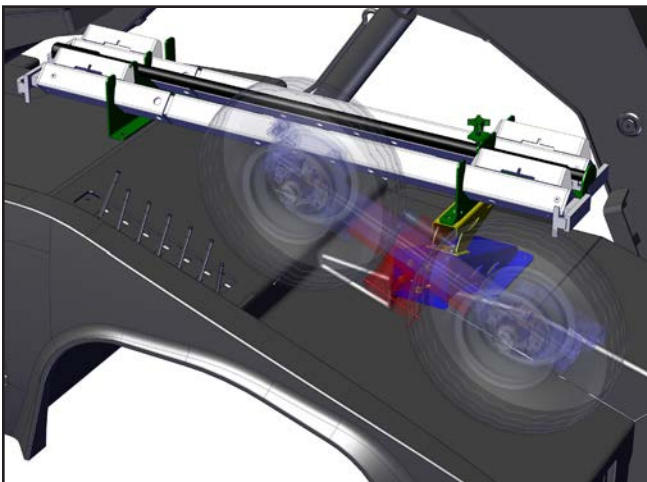
Two single axle mounts are needed to safely store the axles of a complete dolly set.

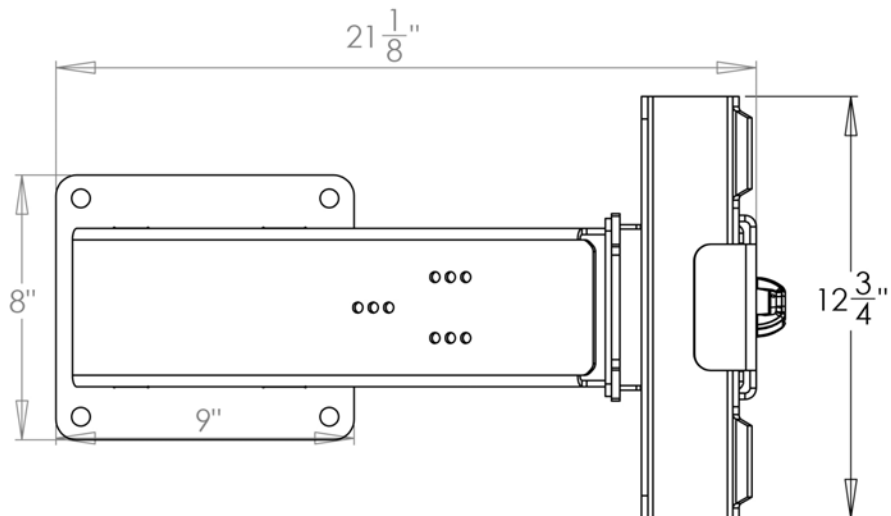
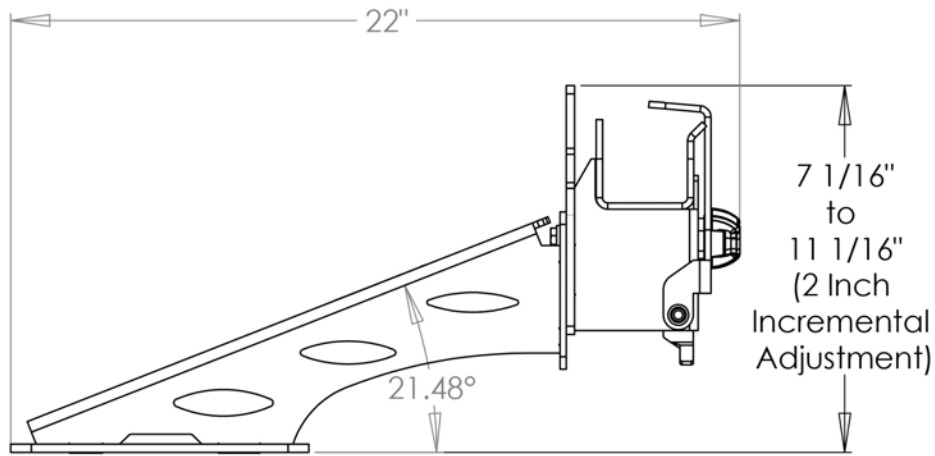
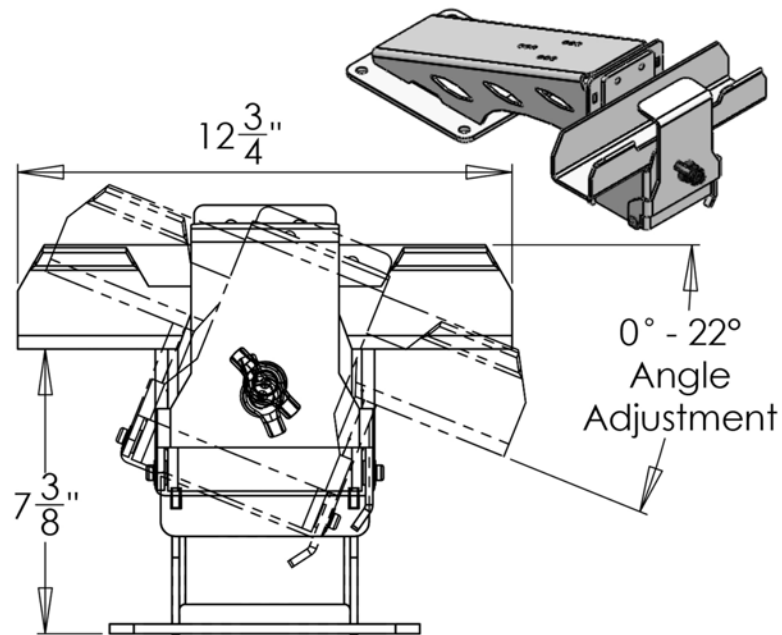


Double Axle Rack ITD1027



The Double Axle Rack can safely store the axles of a complete dolly set.







**www.intheditch.com • sales@intheditch.com
1-888-993-4824 • 208 -587-7960 • Fax 208-580-1900
3195 Industrial Way • Mountain Home, ID 83647 • USA**