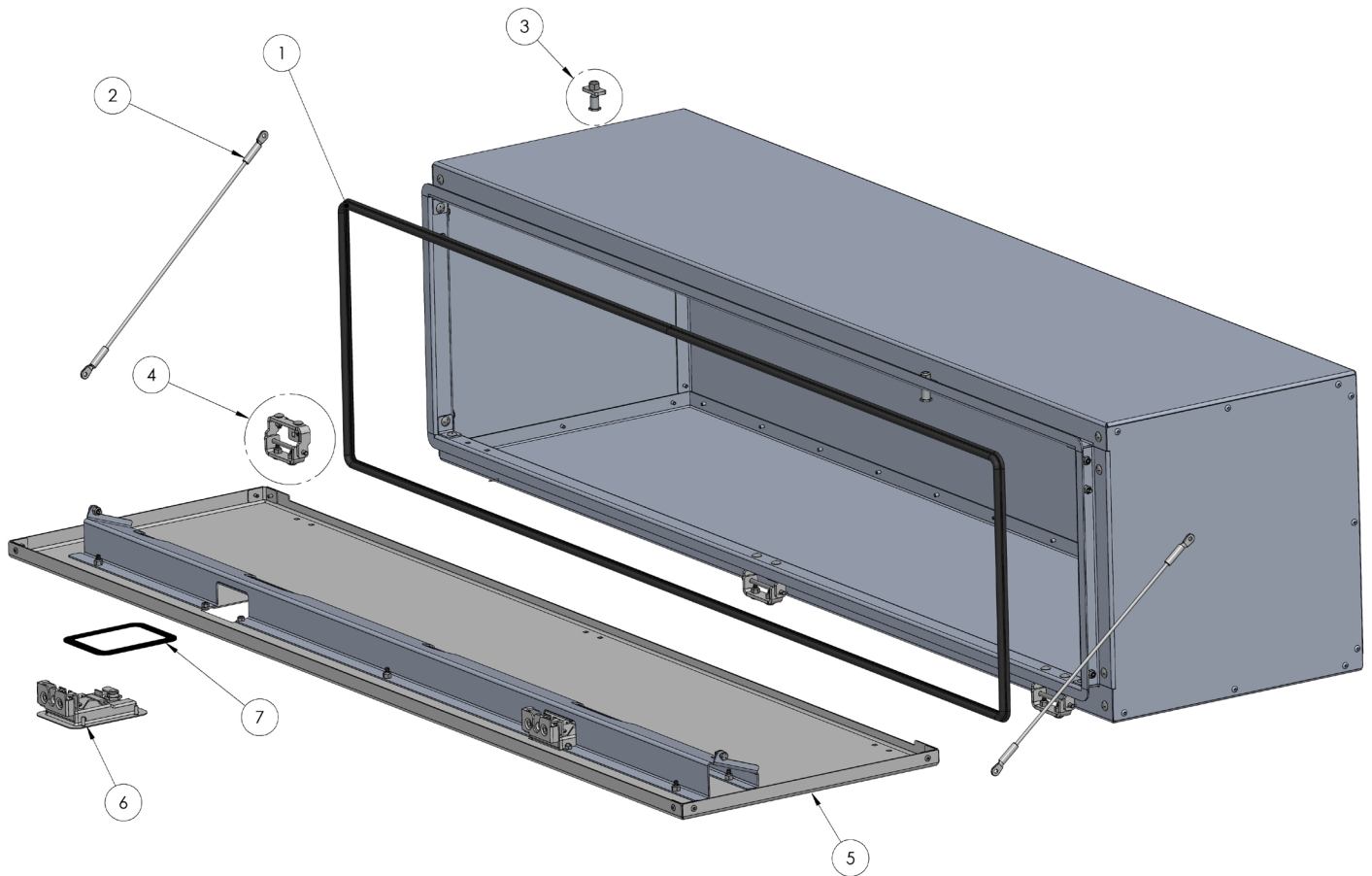




WORKMAN SERIES TOOLBOX

REPLACEMENT PARTS



208-587-7960
WWW.INTHEDITCH.COM

REPLACEMENT PARTS

ITEM #	PART #	DESCRIPTION	QTY
WORKMAN SERIES TOOLBOX			
1	ITD7112	3100 B3 x 1/8 A Trim Seal Door Gasket	1
2	ITD7116	18" Cable Assembly 1/8" Galvanized w/ Coating	2
3	ITD6409	Stiker Assembly (Stiker, SS Backer, Nut)	2
4	ITD6408	Pro Series™ Toolbox Hinge Assembly	3
6	ITD24512	Rotary Locking Paddle Door Latch	2
7	ITD7111	Paddle Latch Gasket	2
WORKMAN SERIES REPLACEMENT DOORS			
5	ITD24623	70" Workman Series Toolbox - Door Assembly	1
5	ITD24627	60" Workman Series Toolbox - Door Assembly	1
5	ITD24626	48" Workman Series Toolbox - Door Assembly	1
5	ITD24624	36" Workman Series Toolbox - Door Assembly	1

PART #	DESCRIPTION
Workman Series Toolbox	
ITD24599	36" Workman Series Toolbox
ITD24592	48" Workman Series Toolbox
ITD24617	60" Workman Series Toolbox
ITD24500	70" Workman Series Toolbox

ATTENTION

Please Note: Due to contributing factors beyond our control that could cause rust, staining, or discoloration of Polished Surfaces, In The Ditch Towing Products does not warranty polished stainless steel panels. In an effort to keep your stainless looking its best, please visit www.intheditch.com to find the best practices for maintaining your polished stainless-steel products. By following our maintenance recommendation, your polished stainless steel should look great for years to come.