



---

# TOOLBOX AND TOOLBOX ACCESSORIES

## CONFIGURATION AND INSTALLATION GUIDE



**208-587-7960**  
**WWW.INTHEDITCH.COM**

# WARRANTY INFORMATION

## Limited Warranty

In The Ditch Towing Products (also referred to herein as ITD) warrants to the original purchaser that new ITD manufactured goods will be free from defects in material and workmanship for a period of twelve (12) months from the date placed in service. The purchaser must promptly notify ITD in writing of any failure in material or workmanship. In no event shall ITD accept such notification later than twelve (12) months from the date placed in service.

ITD's obligation under this warranty, statutory or otherwise, is limited to the repair or replacement at the ITD factory, or at a point designated by ITD, of such part or parts as shall appear upon inspection by ITD to be defective in material or workmanship. This warranty is not transferable. This warranty does not obligate ITD to bear the cost of labor or transportation charges in connection with the repair or replacement of any part(s) found to be defective, nor shall it apply to a product upon which repairs or alterations have been made unless such repairs or alterations were authorized by ITD.

Except as expressly set forth in this warranty, ITD makes no other warranty, express or implied, and hereby disclaims all other warranties including, but not limited to, the implied warranties of merchantability and fitness for a particular purpose. ITD shall in no event be liable for any claims for downtime, loss of profits or goodwill, or any claims for other special, incidental, indirect, or consequential damages concerning or relating to any product or parts, whether based on negligence, strict liability, breach of contract, breach of warranty, misrepresentation, or any other legal theory, regardless of whether the loss resulted from any general or particular requirement which ITD knew or had reason to know about at the time of sale.

ITD makes no warranty, express or implied, as to the finished products manufactured or supplied by another manufacturer and supplied by ITD to purchaser, including, but not limited to, any vehicle to which an ITD product may be affixed or any accessories, and ITD expressly disclaims any implied warranties of merchantability and fitness for a particular purpose as to such equipment or products. This language shall in no way affect or diminish the rights of the purchaser to rely on such warranties as are extended by such manufacturers or suppliers. ITD shall, to the extent permitted under applicable law, pass on to the purchaser such manufacturer's or seller's warranty.

The customer must obtain and present a written authorization number from ITD prior to any work beginning, and the customer agrees to bear all costs. Please note: Merchandise covered by a manufacturer's warranty must be sent directly to the manufacturer for replacement or repair. ITD, whose policy is one of continuous improvement, reserves the right to improve its products through changes in design or materials as it may deem desirable without being obligated to incorporate such changes in any products previously sold.

This warranty is not intended to cover and shall not apply or include the following items, which are set forth by way of example only: normal deterioration of trim, paint, lettering, appearance of items due to wear or exposure to weather, road conditions, road treatments, etc.; any damage or defect due to accident, misuse, abuse, operation exceeding rated loads, improper or unauthorized repairs, failure to provide reasonable and necessary maintenance, or uses in respect of which the equipment was not designed or intended; alterations or modifications that affect performance, operations, or reliability.

It is expressly understood that ITD makes no implied or express warranty that ITD manufactured goods shall be fit for the purpose of lifting or moving people or for any other improper use. Field modification of this unit without the advice and written consent of the ITD Engineering Department will void all warranties and any guarantees pertaining to both purchased components used in the manufacture of this unit, as well as structurally fabricated parts supplied by ITD. Use of other than factory or factory authorized parts will render the warranty void.

## Notice to Owner or User

It is very important that you properly fill out your product registration form at <https://intheditch.com/product-registration/> to register your equipment. By submitting the information within 15 days of your purchase, your warranty will be validated, ensuring that your equipment will be protected subject to the terms and conditions set out herein. In the event we need to contact you concerning your registered equipment, Product Updates, Service Bulletins, or Product Recalls, the information you have provided on the product registration form will ensure your immediate notification. Do your part and let us help you by filling out your product registration form.

## Installation Guidelines

Due to variances in manufacturers' wrecker bodies, truck bodies and mounting surfaces, ITD cannot provide explicit mounting requirements for every mounting option. These instructions are to serve only as a guideline. Final installation requirements are left to the discretion of a qualified installer.

## Assumption of Risk

Towing and recovery (collectively "Towing") is by nature an inherently dangerous activity. As a consequence, towing operators assume the risk of serious injury or death. ITD products are only intended to be used solely by towing operators who have the requisite training and experience who not only understand the proper use of the product/s but also fully understand all risks associated with towing.

If you do not have the requisite experience and training as a towing operator DO NOT USE these products.

# WARRANTY INFORMATION

## Inspection

- ITD requires that each operator of a truck or transport vehicle perform a detailed circle check before and after each use of the truck or transport vehicle. This inspection must include the power unit, the towing unit, and all items installed on the unit.
- Do not take chances with your life or other people's lives. Make sure all items are secured and in safe working order.
- Always inspect products for any signs of paint cracking, metal fatigue or premature wear.
- Maintain a visual inspection along with grabbing the products and wiggling or pulling on it to make sure there is no way anything can become dislodged from its mount.
- Remove from service immediately if repairs are needed. Do not take chances.

## Paint, Powder Coated and Polished Finishes:

The ITD warranty does not cover coatings or finishes, of powder coated products, galvanized products, zinc plated products, bare aluminum products, polished or non-polished stainless steel products or finishes. This includes, but is not limited to, scratches, peeling, chipping, hazing, dulling of finish or surface.

## Modifications to ITD Products

- DO NOT modify or tamper with any ITD Product. Doing so will void any applicable warranty and may result in serious injury or death.
- Warranties will be voided if any ITD Product is modified or tampered with.

## Securement

- The driver/operator must verify that all hardware is secure and tight. This includes, but is not limited to, mounting hardware and retaining systems.
- It is the driver /operator's responsibility to ensure that nothing can come loose from any part of the truck or transport vehicle or the vehicle being towed. It is the operator's responsibility to make sure that all items are in good working order and are properly secured.
- Only a qualified installer should mount ITD equipment. It is the installer's responsibility to ensure mounts are secure.
- It is the operator's responsibility to ensure his or her load is secured properly to the mounts.

ITD recommends taking this approach to load/product securement:

1. Imagine if you took your truck and turned it upside down. Nothing should fall out of or off of the truck.
2. Now imagine if you stood the truck on the end where the front bumper was facing straight up into the sky. Nothing should fall out of or off the truck.
3. Now imagine the rear bumper was facing the sky. Nothing should fall out of or off of the truck.

## Mix and Matching of different Manufacturer's Products

- Only use In The Ditch brand mounts with In The Ditch Products.
- Only use In The Ditch brand replacement parts for In The Ditch brand products.
- Don't Mix and Match Axles
- Failure to do so may result in voiding any applicable warranty and serious bodily injury or death.

# PRODUCT SPECIFIC INFORMATION

- ⚠ Failure to follow the safety guidelines listed may result in voiding any applicable warranty, serious bodily injury, or death.
- ⚠ It is very important that you properly fill out your product registration form at [registration.intheditch.com](http://registration.intheditch.com) to register your equipment. By submitting the information within 15 days of your purchase, your warranty will be validated, ensuring that your equipment will be protected subject to the terms and conditions set out herein. In the event we need to contact you concerning your registered equipment, Product Updates, Service Bulletins, or Product Recalls, the information you have provided on the product re notification. Do your part and let us help you by filling out your product registration form.

## SAFETY INFORMATION

This manual is supplied for the ITD unit to better familiarize the owner/operator with proper operation and maintenance procedures. The information contained in this manual must be thoroughly understood by all operating and maintenance personnel to ensure the protection of the operator of this unit and to prolong the unit's working life.

## LOADCAPACITY

- ⚠ Do Not exceed maximum load capacity.
  - Pro Series Tool Box doors can be used as a step with 400lb. load capacity.
  - Do not exceed 400lbs

## SAFETY & PRECAUTIONS

- ⚠ Before inspecting, operating, or performing maintenance on this product, read the manual thoroughly and fully understand the contents. Keep this manual in a safe, designated place for future reference!
- ⚠ Due to variances in manufacturers' wrecker bodies, truck bodies and mounting surfaces, ITD cannot provide explicit mounting requirements for every mounting option. These instructions are to serve only as a guideline. Final installation requirements are left to the discretion of a qualified installer.
- ⚠ Always mount at a flat, level surface. Do not mount at an angle!
- ⚠ ITD Brand Tool Boxes and related products are intended to be used solely by towing operators who have the requisite training and experience. If you do not have the requisite experience and training as a towing operator DO NOT USE these products.

## ⚠ SECUREMENT

It is the driver / operator's responsibility to ensure that nothing can come loose from any part of the truck or transport vehicle, or the vehicle being towed. It is the operator's responsibility to make sure that all items are in good working order and are properly secured!

## ⚠ MODIFICATION

**DO NOT** modify or tamper with any ITD product. Doing so will void any applicable warranty and may result in serious injury or death. Warranties will be voided if any ITD Product is modified or tampered with!

## ⚠ INSPECTION

ITD requires that each operator of a truck or transport vehicle perform a detailed circle check before and after each use of the truck or transport vehicle. This inspection must include the power unit, the towing unit, and all items installed on the unit.

- Do not take chances with your life or other people's lives. Make sure all items are secured and in safe working order.
- Always inspect products for any signs of paint cracking, metal fatigue or premature wear.
- Maintain a visual inspection along with grabbing the products and wiggling or pulling on it to make sure there is no way anything can become dislodged from its mount
- Remove from service immediately if repairs are needed. Do not take chances.


## ⚠ MIXING & MATCHING PRODUCTS

- Only use In The Ditch brand mounts with In The Ditch brand products.
- Only use In The Ditch brand replacement parts for In The Ditch brand products.

## ⚠ ALWAYS FOLLOW STATE & LOCAL GUIDELINES!

- ⚠ Failure to follow the safety guidelines listed may result in voiding any applicable warranty, serious bodily injury, or death.
- ⚠ It is very important that you properly fill out your product registration form at [registration.intheditch.com](http://registration.intheditch.com) to register your equipm. By submitting the information within 15 days of your purchase, your warranty will be validated, ensuring that your equipment will be protected subject to the terms and conditions set out herein. In the event we need to contact you concerning your registered equipment, Product Updates, Service Bulletins, or Product Recalls, the information you have provided on the product registration form will ensure your immediate notification. Do your part and let us help you by filling out your product registration form.

# MAINTENANCE

 It is the operator's responsibility to inspect before each use. Inspection should be a part of the operator's daily circle check of the vehicle.

## Visual Inspection

Before each use, perform a thorough visual inspection of the unit and all accessories.


Inspect for:


- Evidence of physical damage such as cracking
- Bending
- Deformation of plates and welds
- Cracking or flaking of powder coat or paint
- Loose rivets or bolts

## Maintenance

- Keep clean and free of debris.
- Avoid pressure washing directly behind stainless steel panels.
- Check tightness of hardware and tighten as needed.

If any unusual conditions exist, contact ITD and remove the equipment from service immediately. Repair or replace the necessary components with ITD certified parts. Only use In The Ditch approved replacement parts. Failure to do so could result in damage, injury or death!

 Failure to follow the safety guidelines listed may result in voiding any applicable warranty, serious bodily injury, or death.

 It is very important that you properly fill out your product registration form at [registration.intheditch.com](https://registration.intheditch.com) to register your equipment. By submitting the information within 15 days of your purchase, your warranty will be validated, ensuring that your equipment will be protected subject to the terms and conditions set out herein. In the event we need to contact you concerning your registered equipment, Product Updates, Service Bulletins, or Product Recalls, the information you have provided on the product registration form will ensure your immediate notification. Do your part and let us help you by filling out your product registration form.

# TABLE OF CONTENTS

---

<b>WARRANTY.....</b>	<b>2</b>
<b>CONFIGURATION.....</b>	<b>7</b>
<b>QUICK MOUNTS GUIDE.....</b>	<b>8</b>
<b>TOOLBOX SIZE CHART.....</b>	<b>10</b>
<b>STORAGE FENDER GUIDE.....</b>	<b>14</b>
<b>ACCESSORIES.....</b>	<b>16</b>
<b>INSTALLATION.....</b>	<b>18</b>
<b>QUICK™ MOUNT INSTALLATION.....</b>	<b>19</b>
<b>TOOLBOX INSTALLATION.....</b>	<b>22</b>
<b>STORAGE™ FENDER INSTALLATION.....</b>	<b>23</b>
<b>UTILITY STORAGE STEP.....</b>	<b>24</b>
<b>POWER LOCK INSTALLATION.....</b>	<b>25</b>
<b>POWER LOCK WIRING INSTRUCTIONS.....</b>	<b>26</b>
<b>POWER LOCK INFORMATION.....</b>	<b>27</b>
<b>TOOLBOX ACCESSORIES.....</b>	<b>29</b>



---

# CONFIGURATION

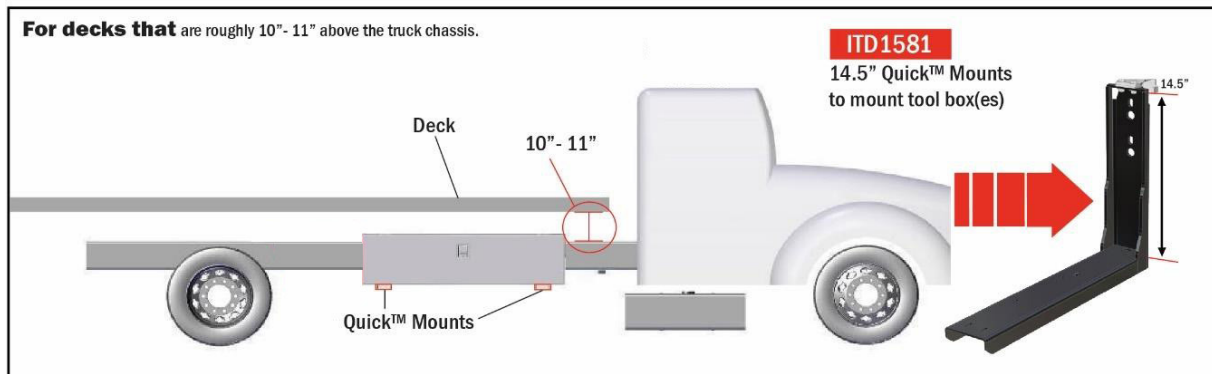
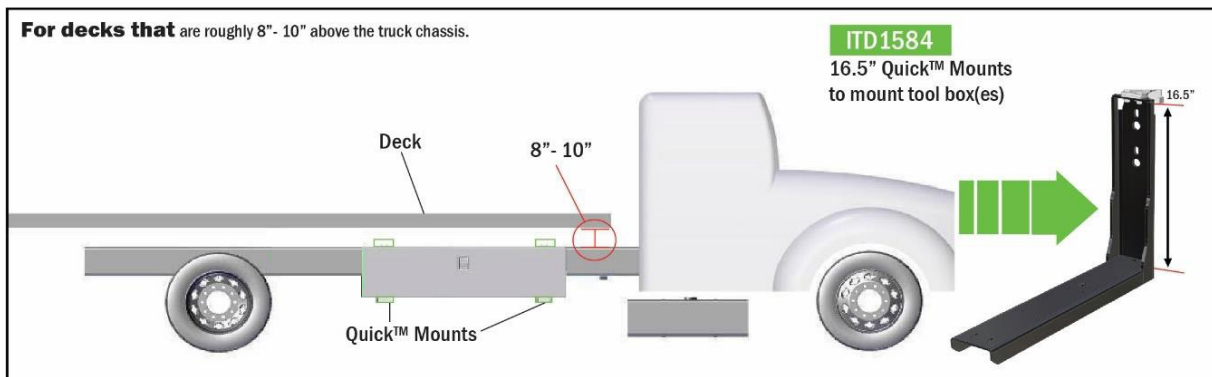
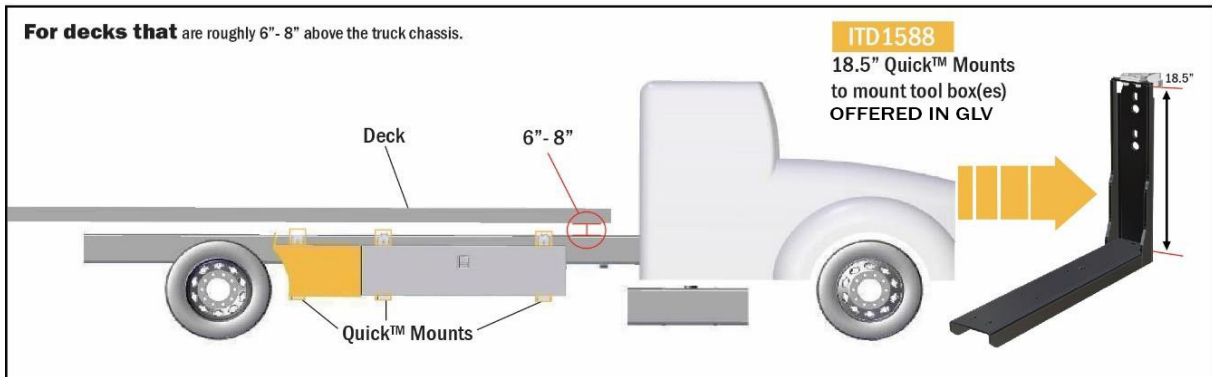
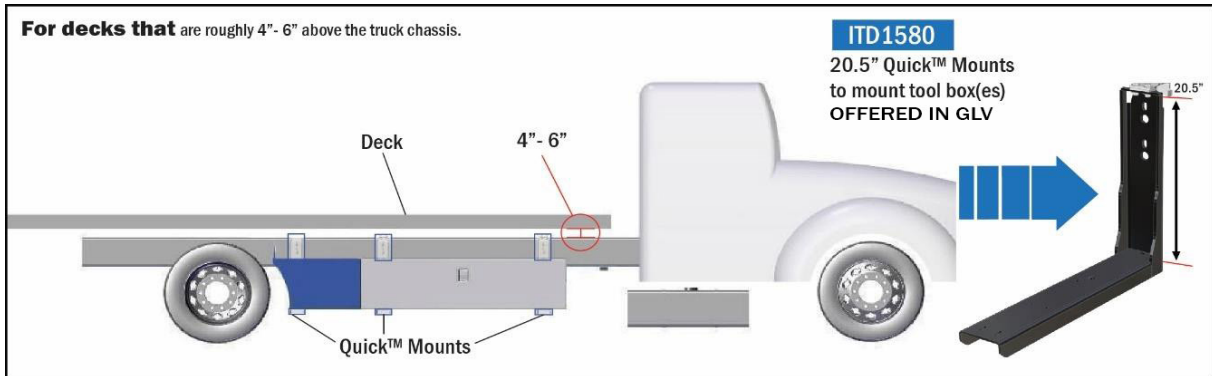


# QUICK MOUNTS GUIDE

## 1

### How to select the correct Quick™ Mount

Measure the distance between your truck deck and frame to determine what type of deck you have. Suggested mounting for your deck below.



**WARNING**

**For installation please use as guideline only.**



# QUICK MOUNTS GUIDE

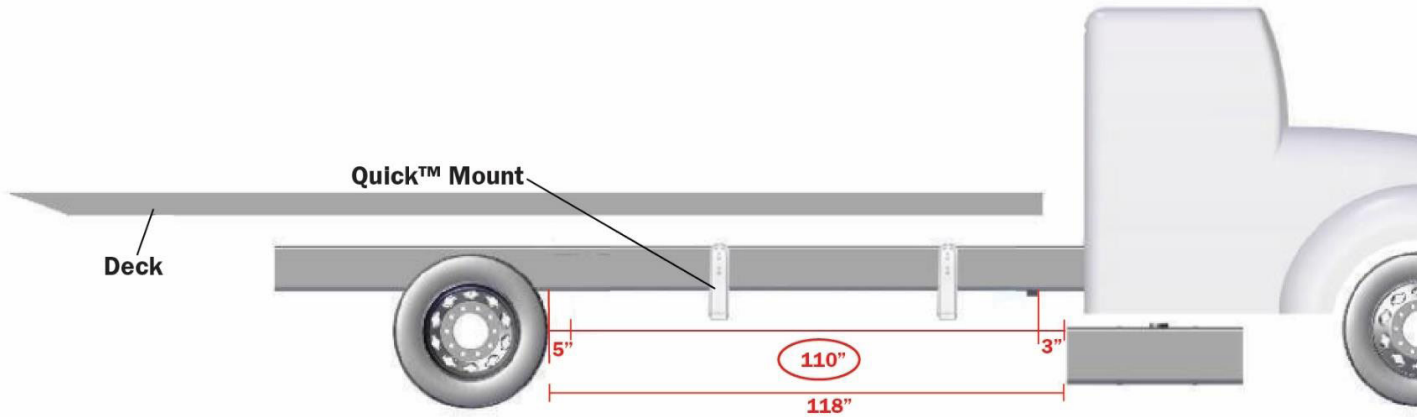
## 2 Measure your usable truck space

Measure From First Obstruction to Front of Rear Tire →  
 subtract a Minimum of 5" For Wheel Clearance →  
 subtract a Minimum of 3" From First Obstruction →

Total Usable Space for In The Ditch® Toolbox Configuration =

Example	Your Truck
118"	
-5"	-5"
-3"	-3"
<b>110"</b>	= <b>2A</b>

**Go to step 3**



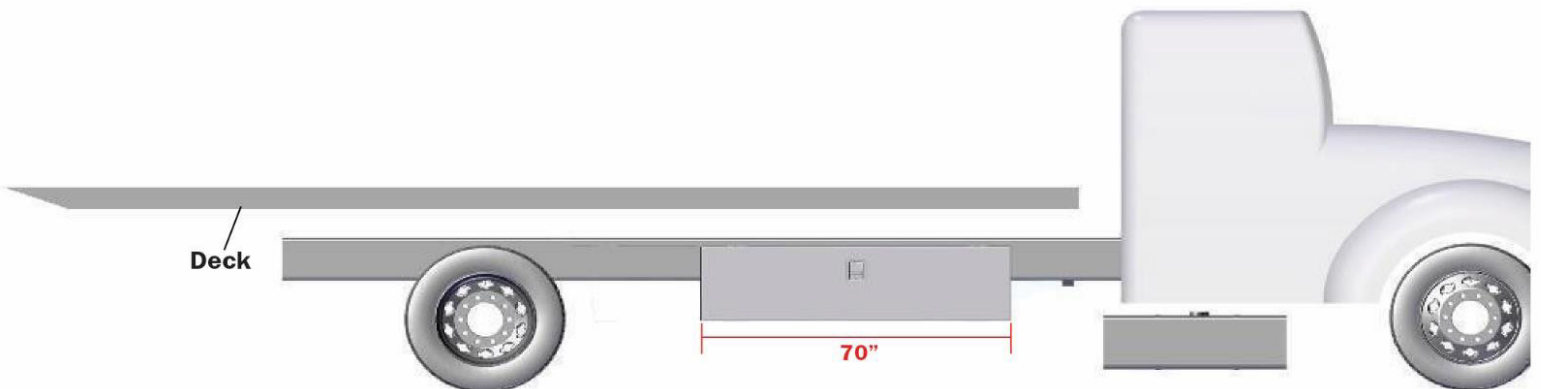
## 3

Total Usable Space for In The Ditch® Toolbox Configuration →  
 Subtract Total Length of Toolbox(es) →  
 Pick Any Toolbox or Combination of Toolboxes to Get This Measurement

Total Remaining Space for Fenders and/or Accessories →

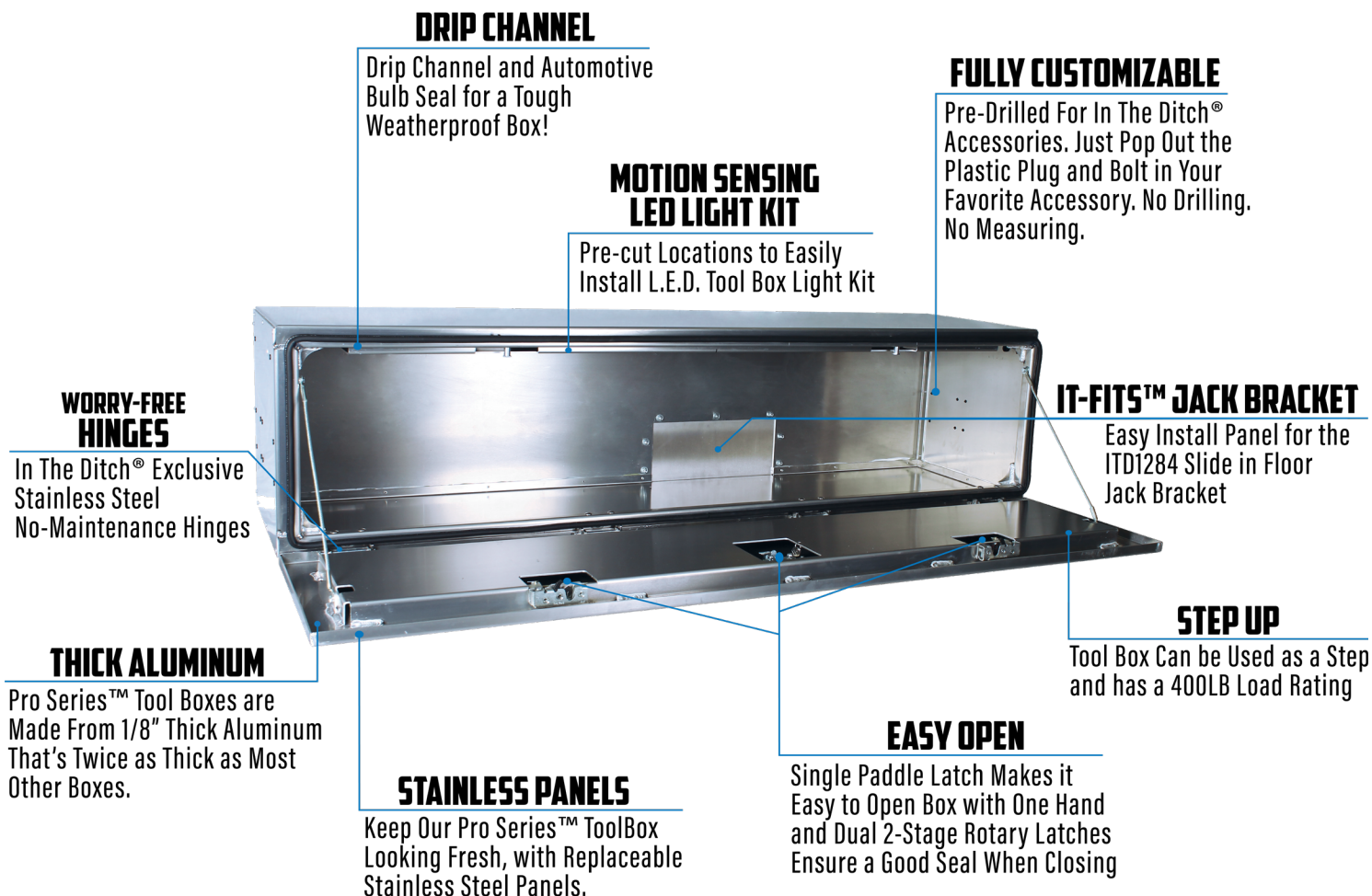
Example	Your Truck
110"	<b>2A</b>
-70"	- <b>3A Length of Tool Box Chosen</b>
<b>= 40"</b>	= <b>3B</b>

**Go to step 4**



# TOOLBOX SIZE CHART

## PRO SERIES™



PART #	DESCRIPTION
<b>Pro Series™ Toolboxes &amp; XL Pro Series™ Toolboxes</b>	
ITD24488	24" x 18" x 18" Pro Series™ Toolbox
ITD24488-FS	24" x 18" x 18" Pro Series™ Toolbox w/ Full Shelf
ITD24503	30" x 18" x 18" Pro Series™ Toolbox
ITD24503-FS	30" x 18" x 18" Pro Series™ Toolbox w/ Full Shelf
ITD1536	36" x 18" x 18" Pro Series™ Toolbox
ITD1536-FS	36" x 18" x 18" Pro Series™ Toolbox w/ Full Shelf
ITD1548	48" x 18" x 18" Pro Series™ Toolbox
ITD1548-FS	48" x 18" x 18" Pro Series™ Toolbox w/ Full Shelf
ITD1548-HS	48" x 18" x 18" Pro Series™ Toolbox w/ Half Shelf
ITD1548-HS-JB	48" x 18" x 18" Pro Series™ Toolbox w/ Half Shelf & Jack Bracket
ITD1660	60" x 18" x 18" Pro Series™ Toolbox
ITD1660-FS	60" x 18" x 18" Pro Series™ Toolbox Toolbox w/ Full Shelf
ITD1660-HS	60" x 18" x 18" Pro Series™ Toolbox w/ Half Shelf
ITD1660-HS-JB	60" x 18" x 18" Pro Series™ Toolbox w/ Half Shelf & Jack Bracket
ITD1570	70" x 18" x 18" Pro Series™ Toolbox
ITD1570-FS	70" x 18" x 18" Pro Series™ Toolbox w/ Full Shelf
ITD1570-HS	70" x 18" x 18" Pro Series™ Toolbox w/ Half Shelf
ITD1570-HS-JB	70" x 18" x 18" Pro Series™ Toolbox w/ Half Shelf & Jack Bracket
ITD24582	80" x 18" x 18" Pro Series™ Toolbox
ITD24582-FS	80" x 18" x 18" Pro Series™ Toolbox w/ Full Shelf
ITD24582-HS	80" x 18" x 18" Pro Series™ Toolbox w/ Half Shelf
ITD24582-HS-JB	80" x 18" x 18" Pro Series™ Toolbox w/ Half Shelf & Jack Bracket
ITD24567	36" x 18" x 18" XL Pro Series™ Toolbox
ITD24567-FS	36" x 18" x 18" XL Pro Series™ Toolbox w/ Full Shelf
ITD24559	48" x 18" x 18" XL Pro Series™ Toolbox
ITD24559-FS	48" x 18" x 18" XL Pro Series™ Toolbox w/ Full Shelf
ITD24559-HS	48" x 18" x 18" XL Pro Series™ Toolbox w/ Half Shelf
ITD24559-HS-JB	48" x 18" x 18" XL Pro Series™ Toolbox w/ Half Shelf & Jack Bracket
ITD24551	60" x 18" x 18" XL Pro Series™ Toolbox
ITD24551-FS	60" x 18" x 18" XL Pro Series™ Toolbox Toolbox w/ Full Shelf
ITD24551-HS	60" x 18" x 18" XL Pro Series™ Toolbox w/ Half Shelf
ITD24551-HS-JB	60" x 18" x 18" XL Pro Series™ Toolbox w/ Half Shelf & Jack Bracket
ITD24522	70" x 18" x 18" XL Pro Series™ Toolbox
ITD24522-FS	70" x 18" x 18" XL Pro Series™ Toolbox w/ Full Shelf
ITD24522-HS	70" x 18" x 18" XL Pro Series™ Toolbox w/ Half Shelf
ITD24522-HS-JB	70" x 18" x 18" XL Pro Series™ Toolbox w/ Half Shelf & Jack Bracket

PART #	DESCRIPTION
<b>Power Lock™ Remote Locking Toolboxes</b>	
ITD24853	24" x 18" x 18" Power Lock™ Power Locking Toolbox
ITD24853-FS	24" x 18" x 18" Power Lock™ Power Locking Toolbox w/ Full Shelf
ITD24854	30" x 18" x 18" Power Lock™ Power Locking Toolbox
ITD24854-FS	30" x 18" x 18" Power Lock™ Power Locking Toolbox w/ Full Shelf
ITD3536	36" x 18" x 18" Power Lock™ Power Locking Toolbox
ITD3536-FS	36" x 18" x 18" Power Lock™ Power Locking Toolbox w/ Full Shelf
ITD3548	48" x 18" x 18" Power Lock™ Power Locking Toolbox
ITD3548-FS	48" x 18" x 18" Power Lock™ Power Locking Toolbox w/ Full Shelf
ITD3548-HS	48" x 18" x 18" Power Lock™ Power Locking Toolbox w/ Half Shelf
ITD3548-HS-JB	48" x 18" x 18" Power Lock™ Power Locking Toolbox w/ Half Shelf & Jack Bracket
ITD3660	60" x 18" x 18" Power Lock™ Power Locking Toolbox
ITD3660-FS	60" x 18" x 18" Power Lock™ Power Locking Toolbox w/ Full Shelf
ITD3660-HS	60" x 18" x 18" Power Lock™ Power Locking Toolbox w/ Half Shelf
ITD3660-HS-JB	60" x 18" x 18" Power Lock™ Power Locking Toolbox w/ Half Shelf & Jack Bracket
ITD3570	70" x 18" x 18" Power Lock™ Power Locking Toolbox
ITD3570-FS	70" x 18" x 18" Power Lock™ Power Locking Toolbox w/ Full Shelf
ITD3570-HS	70" x 18" x 18" Power Lock™ Power Locking Toolbox w/ Half Shelf
ITD3570-HS-JB	70" x 18" x 18" Power Lock™ Power Locking Toolbox w/ Half Shelf & Jack Bracket
ITD24855	80" x 18" x 18" Power Lock™ Power Locking Toolbox
ITD24855-FS	80" x 18" x 18" Power Lock™ Power Locking Toolbox w/ Full Shelf
ITD24855-HS	80" x 18" x 18" Power Lock™ Power Locking Toolbox w/ Half Shelf
ITD24855-HS-JB	80" x 18" x 18" Power Lock™ Power Locking Toolbox w/ Half Shelf & Jack Bracket
ITD24856	36" x 18" x 18" XL Power Lock™ Power Locking Toolbox
ITD24856-FS	36" x 18" x 18" XL Power Lock™ Power Locking Toolbox w/ Full Shelf
ITD24857	48" x 18" x 18" XL Power Lock™ Power Locking Toolbox
ITD24857-FS	48" x 18" x 18" XL Power Lock™ Power Locking Toolbox w/ Full Shelf
ITD24857-HS	48" x 18" x 18" XL Power Lock™ Power Locking Toolbox w/ Half Shelf
ITD24857-HS-JB	48" x 18" x 18" XL Power Lock™ Power Locking Toolbox w/ Half Shelf & Jack Bracket
ITD24858	60" x 18" x 18" XL Power Lock™ Power Locking Toolbox
ITD24858-FS	60" x 18" x 18" XL Power Lock™ Power Locking Toolbox w/ Full Shelf
ITD24858-HS	60" x 18" x 18" XL Power Lock™ Power Locking Toolbox w/ Half Shelf
ITD24858-HS-JB	60" x 18" x 18" XL Power Lock™ Power Locking Toolbox w/ Half Shelf & Jack Bracket
ITD24859	70" x 18" x 18" XL Power Lock™ Power Locking Toolbox
ITD24859-FS	70" x 18" x 18" XL Power Lock™ Power Locking Toolbox w/ Full Shelf
ITD24859-HS	70" x 18" x 18" XL Power Lock™ Power Locking Toolbox w/ Half Shelf
ITD24859-HS-JB	70" x 18" x 18" XL Power Lock™ Power Locking Toolbox w/ Half Shelf & Jack Bracket

**DURABLE & RELIABLE**

Built from Sturdy .090 Aluminum that Withstands Harsh Conditions All Day

**MOISTURE DEFENSE**

Automotive-Style Gasket and Integrated Drip Tray for a Weatherproof Seal

**EXCLUSIVE HINGES**

3/16-inch Custom Stainless Steel Hinges Outperform the Competition



**STAINLESS-STEEL MIRRORED DOOR**

Built from 14 ga Stainless-Steel for Durability and a Clean Professional Appearance

**STAINLESS-STEEL PADDLE LATCHES**

Dual Locking Latches in the 70", 60" & 48" Single Locking Latch in the 36"

PART #	DESCRIPTION
Workman Series™ Toolboxes	
ITD24599	36" Workman Series™ Tool Box
ITD24592	48" Workman Series™ Tool Box
ITD24617	60" Workman Series™ Tool Box
ITD24500	70" Workman Series™ Tool Box

# STORAGE FENDER GUIDE

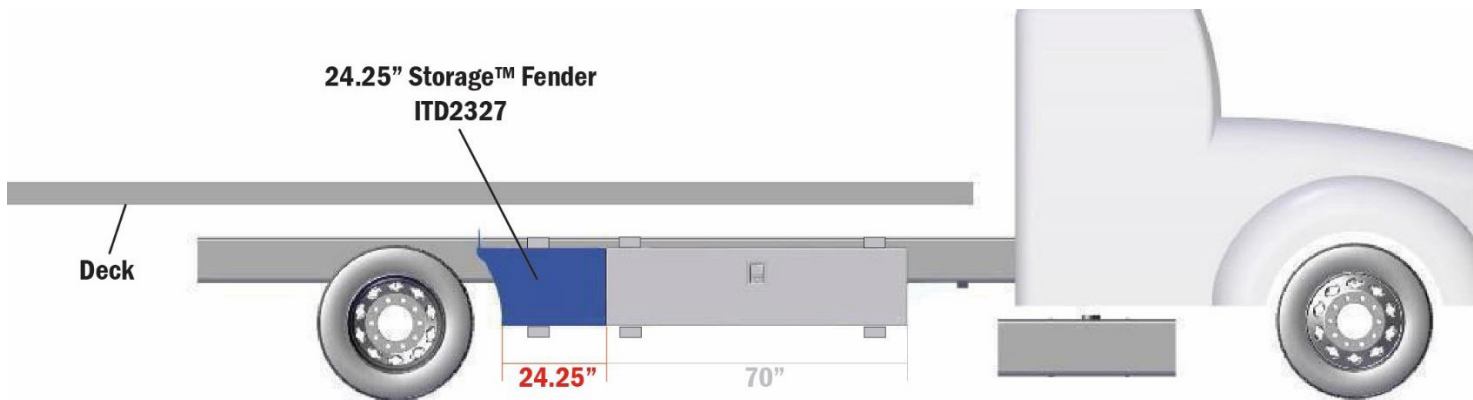
## 4 Choose your Storage™ Fender

In The Ditch® Toolbox and Fender Combination

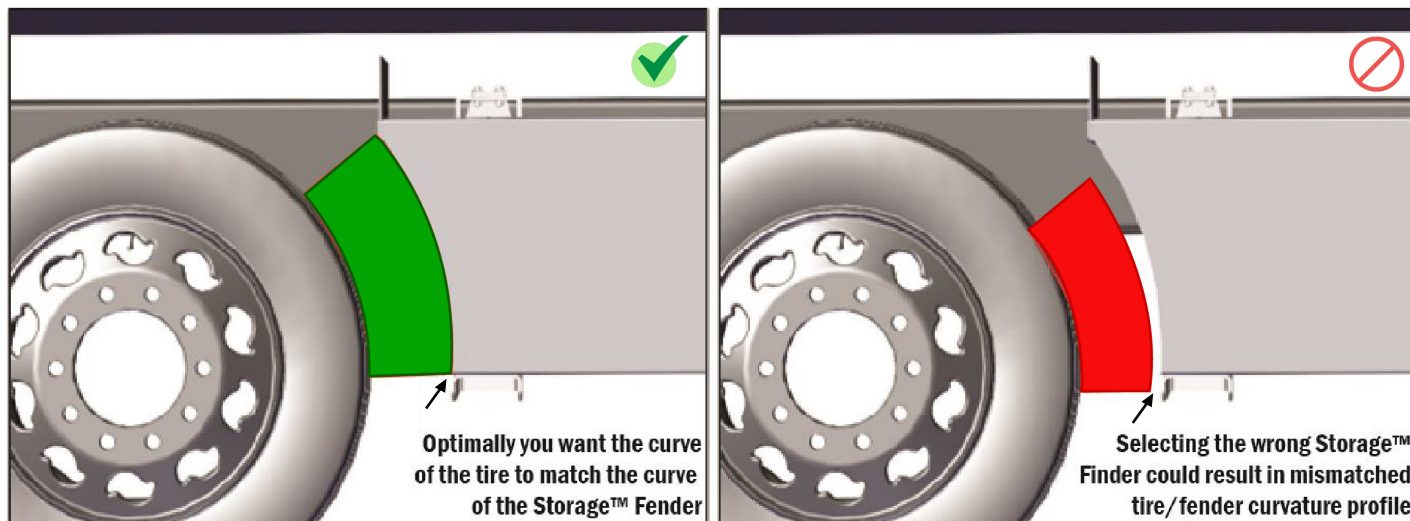
Move Toolbox Location Forward, Closer to Obstruction/Chassis (Leave Minimum of 3" Clearance. See Step 2)

	Example	Your Truck
Total Usable Truck Space	110"	2A
Total Length of Tool Box(es)	-70"	- 3A
Total Remaining Space	= 40"	= 3B
Subtract <b>BOTTOM LENGTH of Storage™ Fender</b>	-24.25"	- 4A
Total Remaining Space for Accessories	= 15.75" =	4B

**Go to step 5**



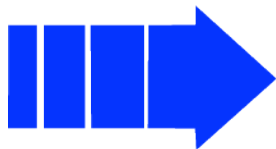
We have different styles of Storage™ Fenders, each of which accommodates a different wheel curvature. Each of these styles are available in different sizes (grouped and color-coded on the next page). This gives the truck installer different Storage™ Fenders to choose from, and allows them to select the best profile for any given usable truck space.



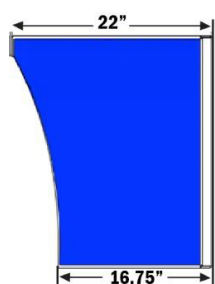
Min of 5" for wheel clearance

# STORAGE FENDER GUIDE

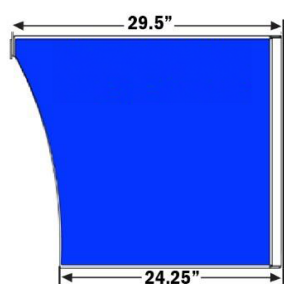
## Storage™ Fenders to choose from:



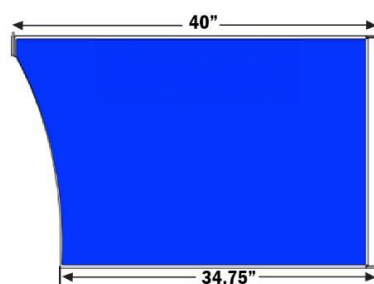
Use with ITD1580 20.5" Quick™



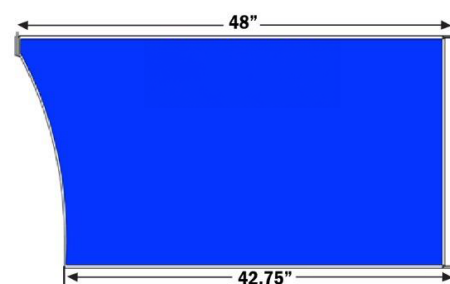
16.75" Storage™  
Fender ITD2328



24.25" Storage™  
Fender ITD2327



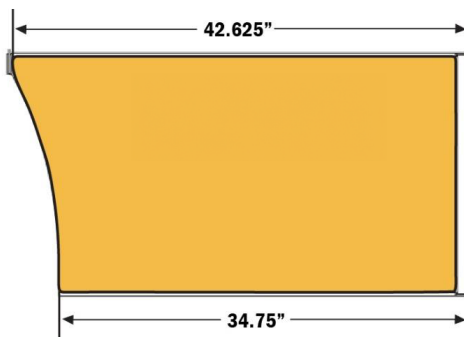
34.75" Storage™  
Fender ITD2329



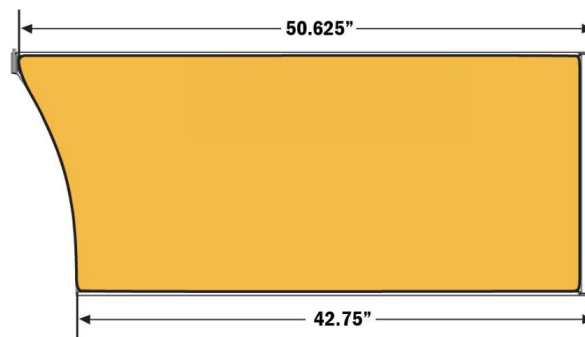
42.75" Storage™  
Fender ITD2333



Use with ITD1588 18.5" Quick™ Mount



34.75" Storage™  
Fender ITD2592



42.75" Storage™  
Fender ITD2591

\*ITD1584 - 16.5" and ITD1581 - 14.5" May Not be Suitable With Storage Fenders\*

# ACCESSORIES

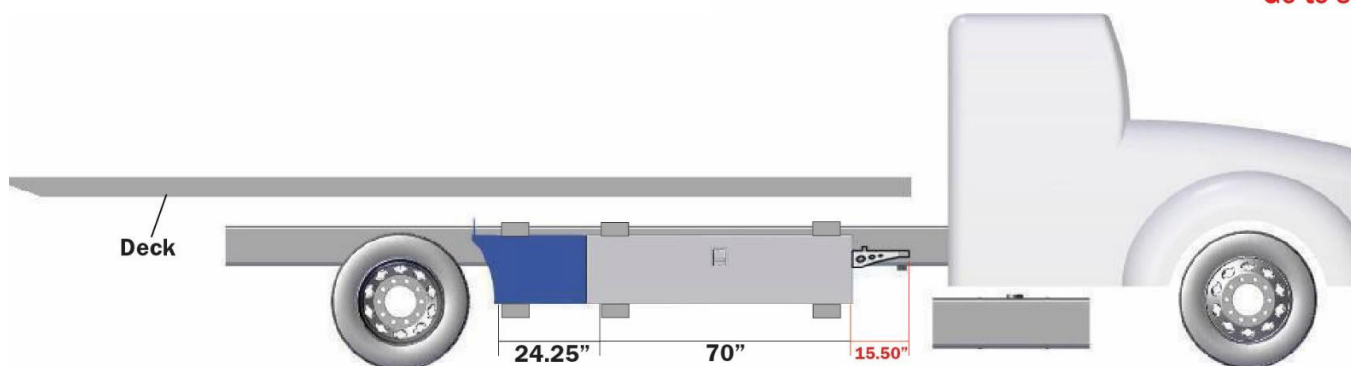
## 5 Choose your Accessories

In The Ditch® Accessory Combination

Subtract Length of Accessory Product on Front of Toolbox First, Then Calculate Length of Fender.

	Example	Your Truck
Total Usable Truck Space →	110"	2A
Total Length of Tool Box(es) →	-70"	- 3A
Total Bottom Length of Storage™ Fender →	-24.25"	- 4A
Total Remaining Space →	=15.75"	= 4B
Subtract length of accessory →	-15.50"	- 5A
Total Remaining Space →	=0.25"	=

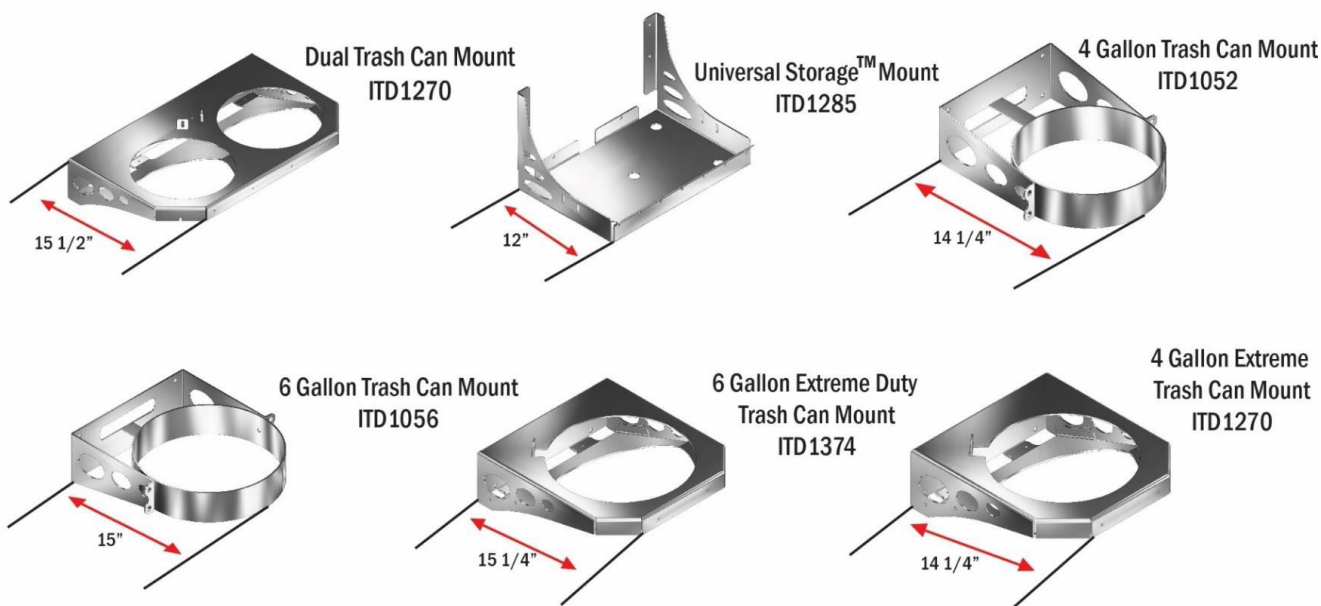
**Go to step 6**



We recommend you bolt the toolbox and fender together on the shop floor, then place on Quick™ Mounts and center for the best look.

### Accessories to choose from:

This is a small selection of accessories to choose from. Go to [www.intheditch.com](http://www.intheditch.com) for a complete selection of In The Ditch® Toolbox accessories.





# ACCESSORIES

**6**

## Measure your configuration for Box Top Trays

Measure the TOP of your Toolbox/ Fender configuration. Refer to products below for dimensions.

ITD24074  
36" Long x 4 Tall



ITD24075  
48" Long x 4 Tall



ITD24076  
60" Long x 4 Tall



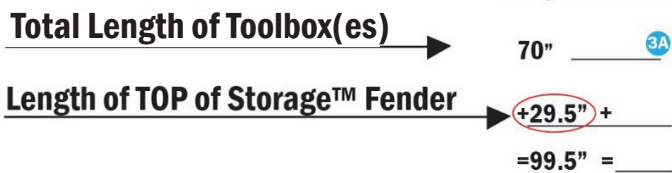
ITD24077  
65" Long x 4 Tall



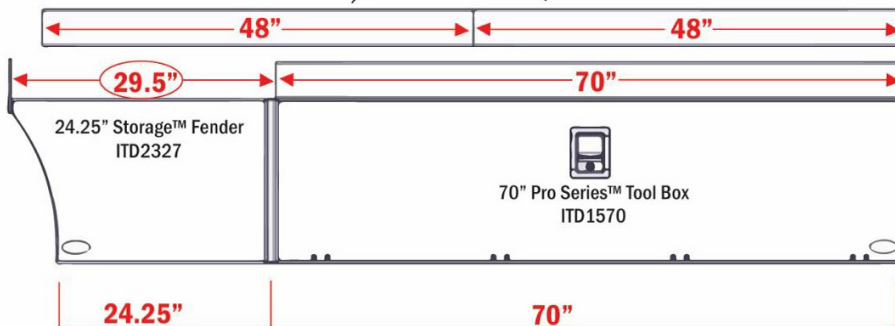
ITD24078  
70" Long x 4 Tall



Example Your Truck



48" Box Top ITD24075



### Available Space for Box Top Trays

choose Box Top or combination of Box Tops closest in length to your available space.

In the example below, we used (2)48" Box Top Trays, equaling 96".

Example of configuration with Storage™ Fender and Box Tops full length of





# **INSTALLATION**

---

**Complete Installation Guide  
for Toolboxes & Accessories**

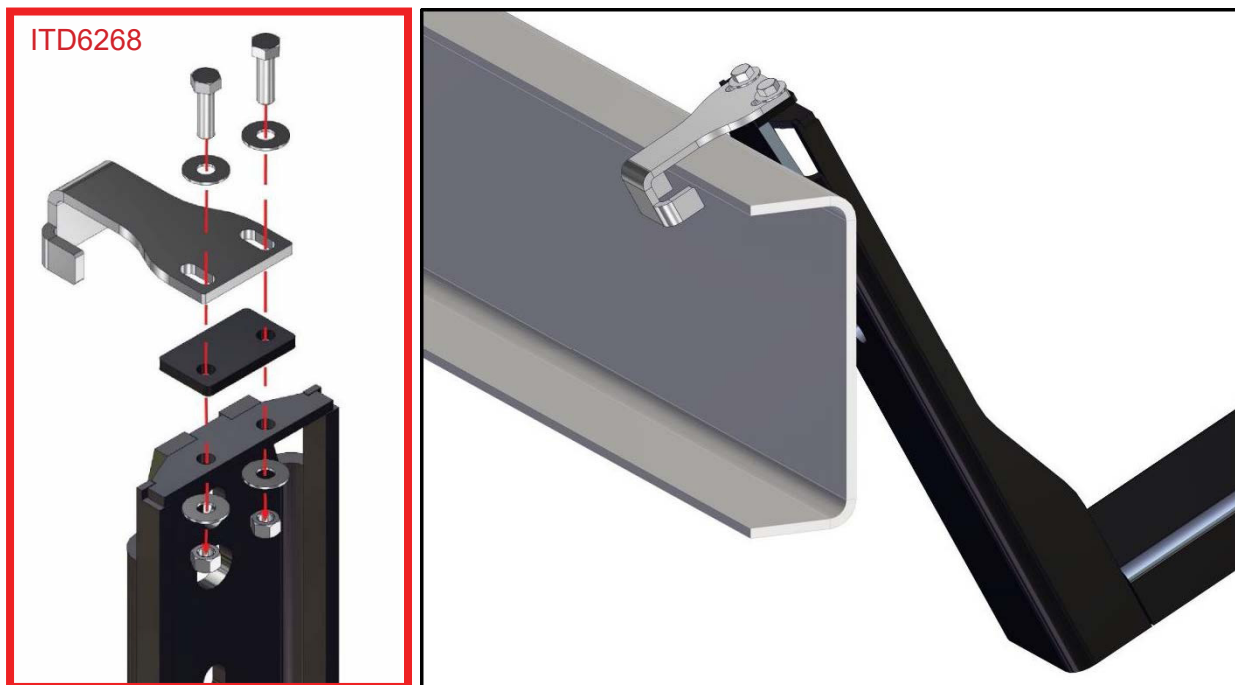
**208-587-7960  
WWW.INTHEDITCH.COM**

# QUICK™ MOUNT INSTALLATION

\* Each ITD Toolbox requires a minimum (2) Quick™ Mounts. Each Storage™ Fender requires (1) Quick™ Mount for support.

## 1 Hang Quick™ Mounts

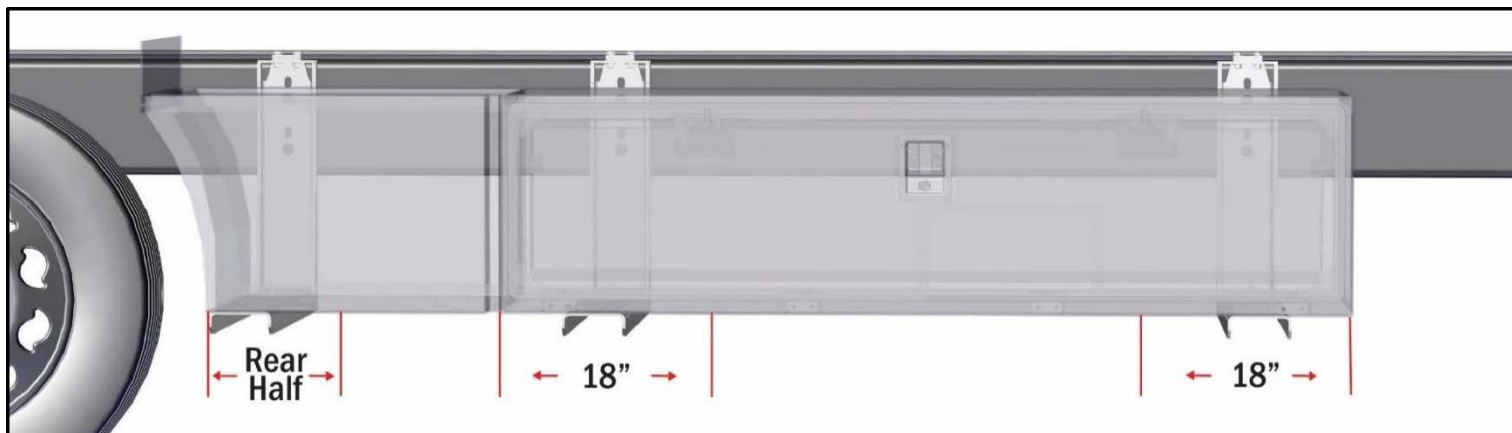
Install Quick™ Mount Hang Tab onto the Quick™ Mount. Hang the Quick™ Mount from the frame rail.  
 Part ITD6268 is intended to be used repeatedly do not discard.



## 2 Mount Locations

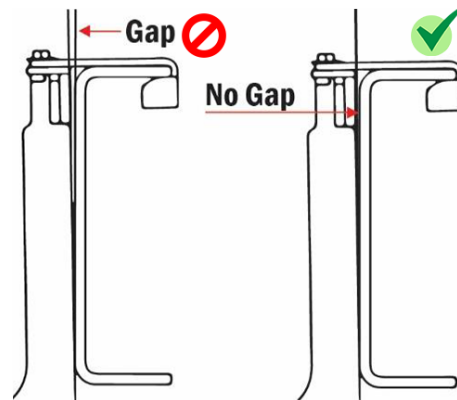
Quick™ Mount must be located within 18" of the ends of each box. Use a minimum of 2 Quick™ Mounts per In The Ditch® Toolbox and 1 for each Storage™ Fender. If you are going to exceed 600lbs. total load limit. We recommend 3 Quick™ Mounts on the 80" In The Ditch® Toolbox.

Disclaimer: 3 QM for 80" toolbox

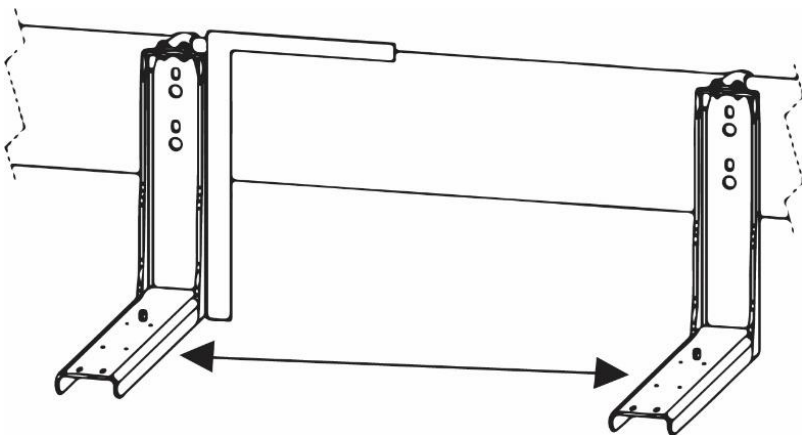


# QUICK™ MOUNT INSTALLATION

## 3 Verify Mount is Flush to Frame



## 4 Position Toolbox Mounts

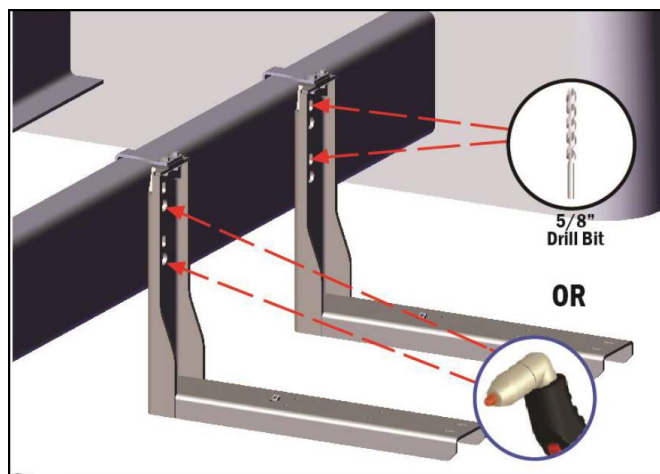
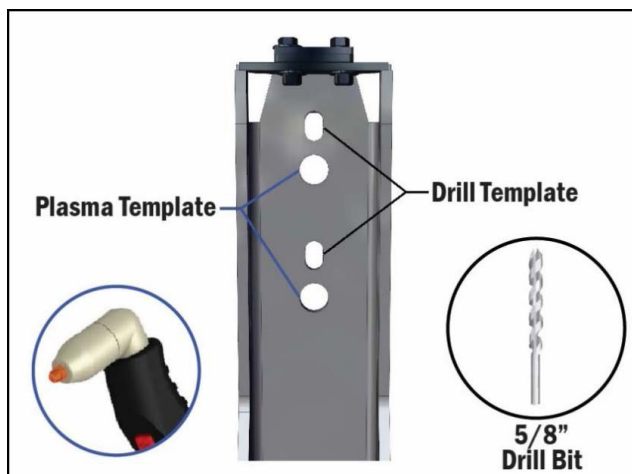


Once mounts are in position, check square with the top of the frame to make sure they are sitting plumb to the truck.

Each mount is rated for 300lb. Toolboxes require a minimum of 2 mounts each. Storage fenders require 1 mount each. Additional mounts may be required, this is up to the discretion of the installer.

## 5 Mounting Templates

Quick™ Mounts are designed with pre-install mounting templates to plasma cut or drill mounting holes in the truck frame. Use the templates to quickly and easily install the Quick™ Mounts.

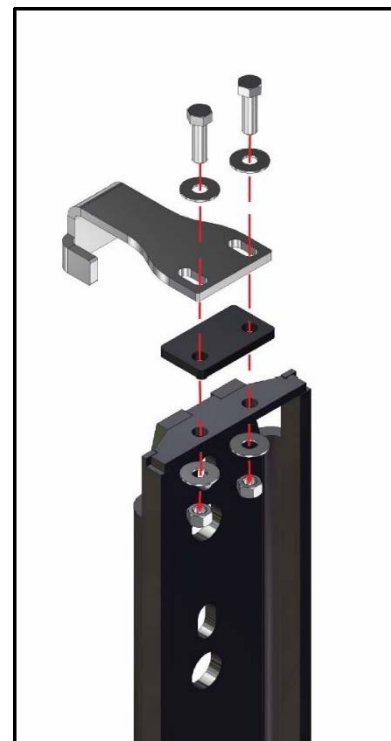
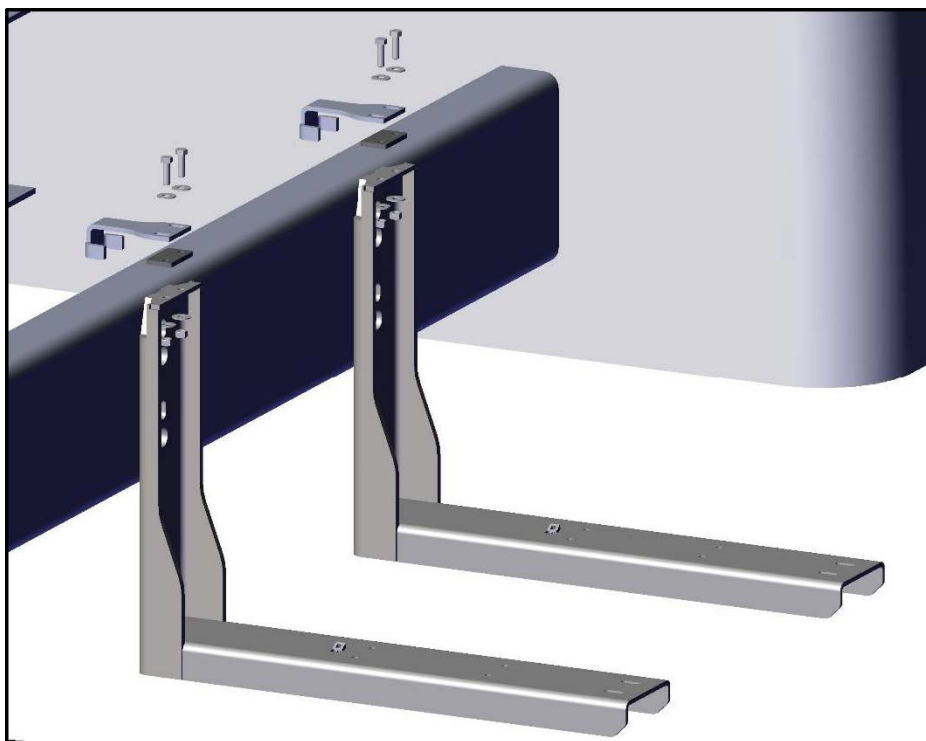


Use minimum of two (2) -5/8" grade 5 bolts to install mount to frame. Bolts must be properly torqued for installation. Mounting hardware NOT included.

# QUICK™ MOUNT INSTALLATION

## 6 Remove Quick™ Mounts Hang Tabs

Once the Quick™ Mounts are securely mounted to the frame rail, remove the Quick™ Hang Tabs.



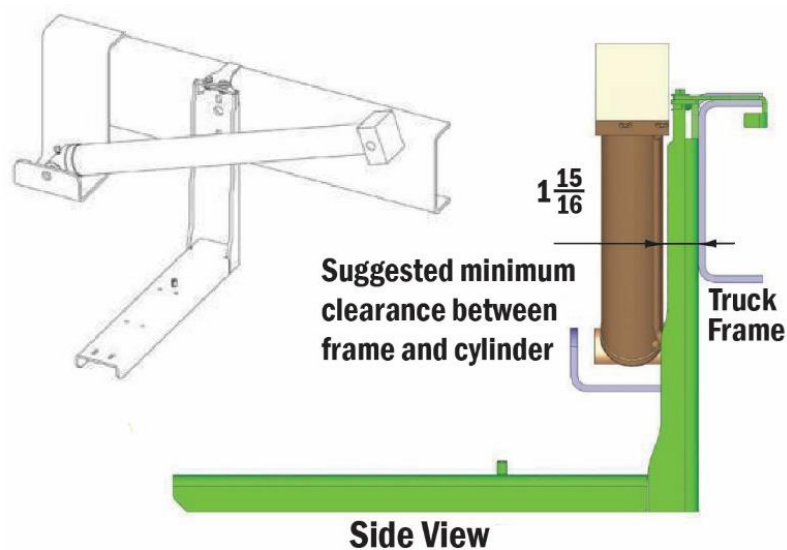
Keep tabs for future installations

## Number of Quick™ Mounts Needed

Each In The Ditch® Toolbox requires a minimum (2) Quick™ Mounts. Each Storage Fender requires (1) Quick™ Mount for support.

### Carrier with outboard tilt cylinders

Outboard tilt cylinders are a special application that requires additional measurements before mounting. With the wide variety of chassis/bed configurations available, verification of clearance should be done prior to mounting.



### WARNING

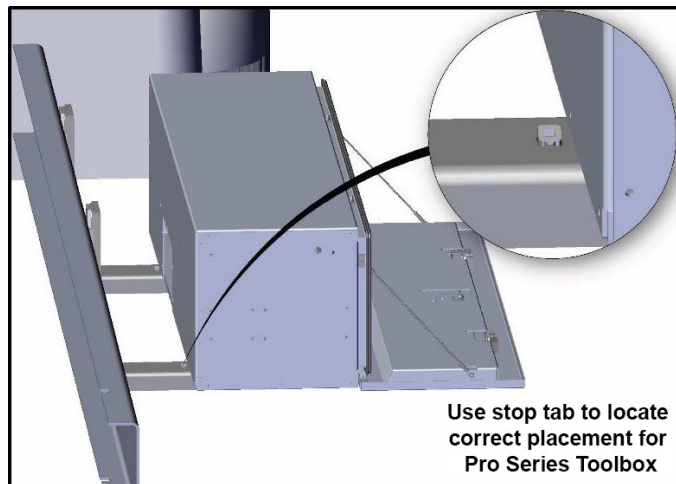
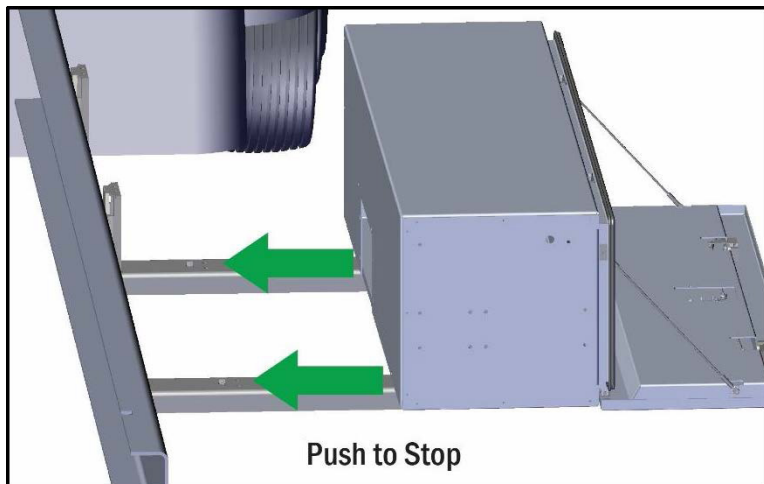
**Check for adequate bed clearance before mounting  
Toolboxes, Box Tops, or Lumber Baskets**

# TOOLBOX INSTALLATION

## 1 Set In The Ditch® Toolbox

Once Set In The Ditch® Toolbox on Quick™ Mounts, make sure to check front and rear measurements. The stop tab is used to quickly align toolbox. If you want to set tool box in closer to the frame, simply bend stop tab down with a hammer.

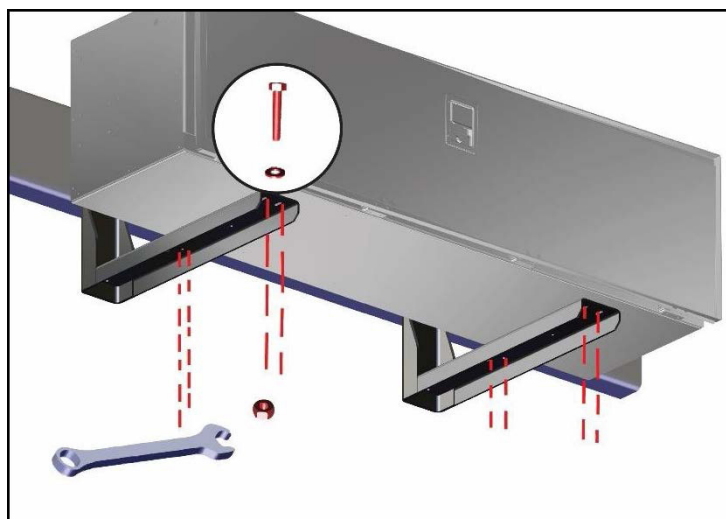
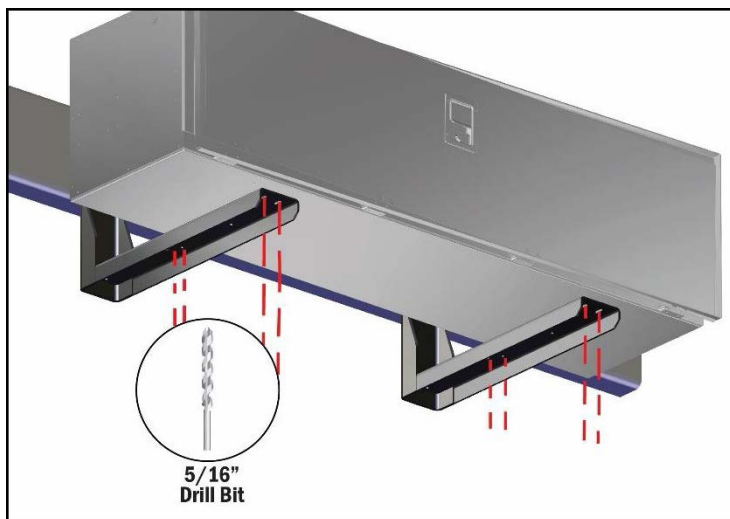
Recommended to install Storage™ Fenders on Toolbox prior to installing box onto your truck.



If installing XL Pro Series™ bend down stop tab w/ hammer.

## 2 Drill & Bolt In The Ditch® Toolbox

Drill four 5/16" holes through the toolbox per Quick™ Mount, two in the front and two in rear of box. When mounting In The Ditch® Toolbox on Quick Mounts, it is recommended to use a minimum of eight 5/16" flanged hex nuts and bolts.



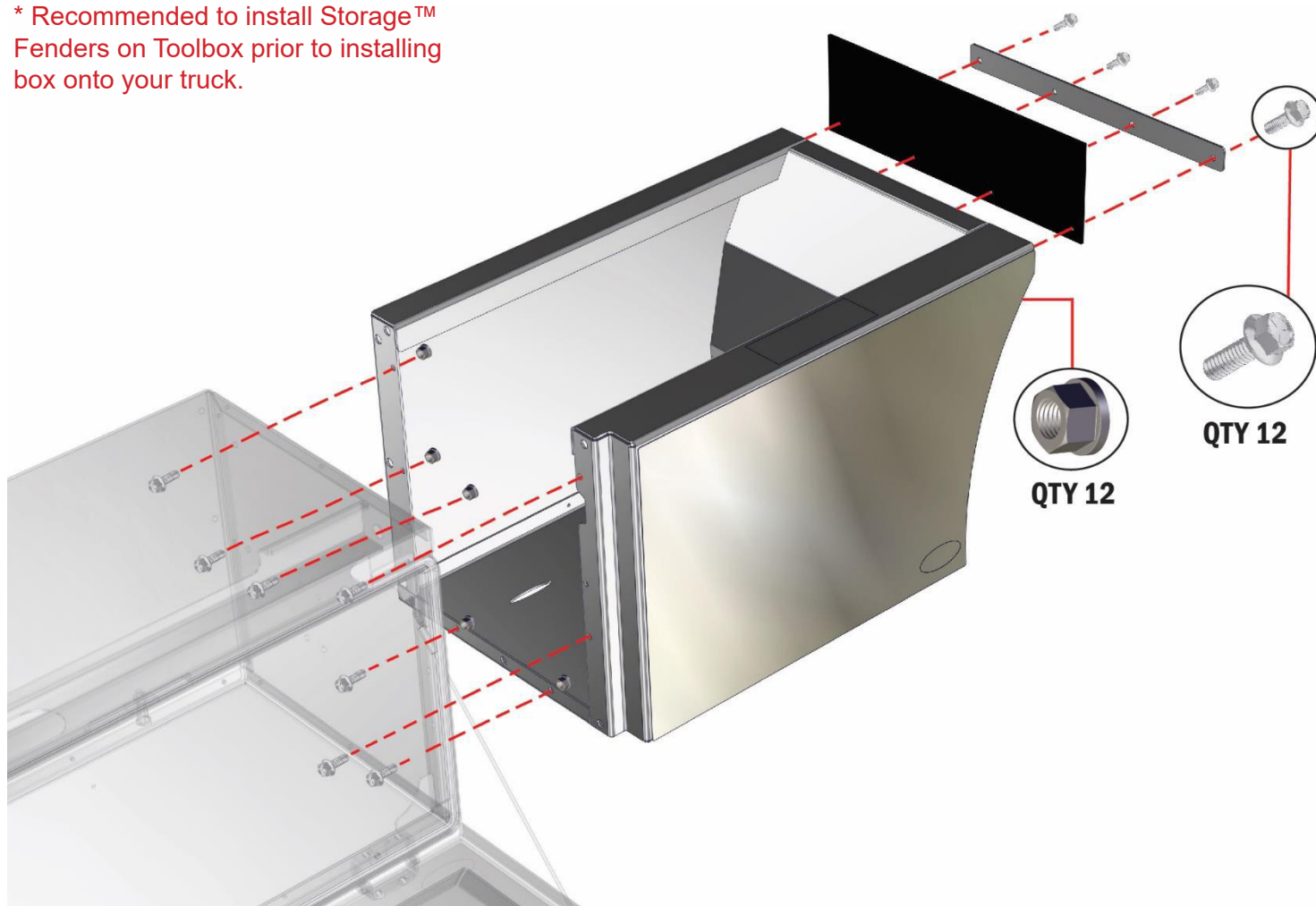
**VIDEO ONLINE**  
[www.intheditch.com](http://www.intheditch.com)

# STORAGE™ FENDER INSTALLATION

IMG	DESCRIPTION	QTY
	5/8" – 18 X3/4" Flanged Bolt	12
	5/16" – 18 Flanged Nut	12

**Mount Storage™ Fender to ITD Toolbox using included mounting hardware.**

\* Recommended to install Storage™ Fenders on Toolbox prior to installing box onto your truck.



**No Drilling Required, Fits ITD Pro Series™ Toolbox Pre Drilled Holes.**

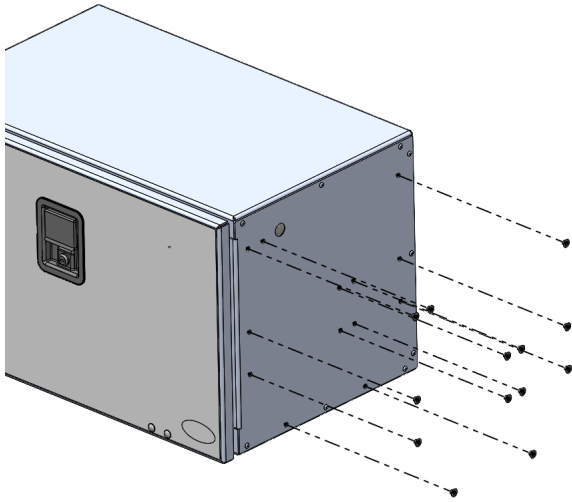
**Workman Series will require drilling.**

# UTILITY STORAGE STEP INSTALLATION

IMG	DESCRIPTION	QTY
	1/4" X 1 - 1/4" SS Bolt	2
	1/4" SS Washer	4
	1/4" SS Nylon Lock Nut	2

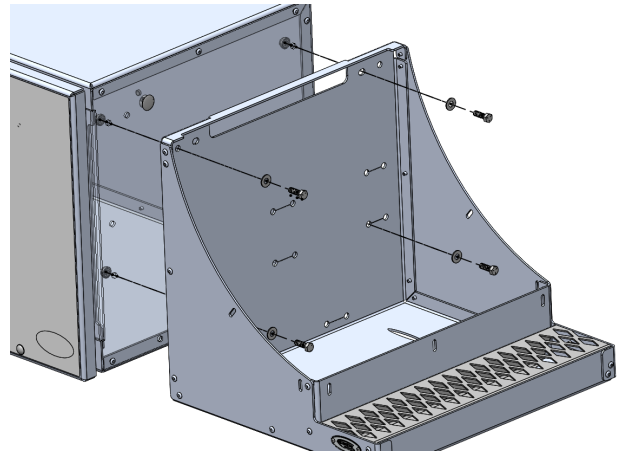


**1** Remove plugs from existing holes (if applicable)



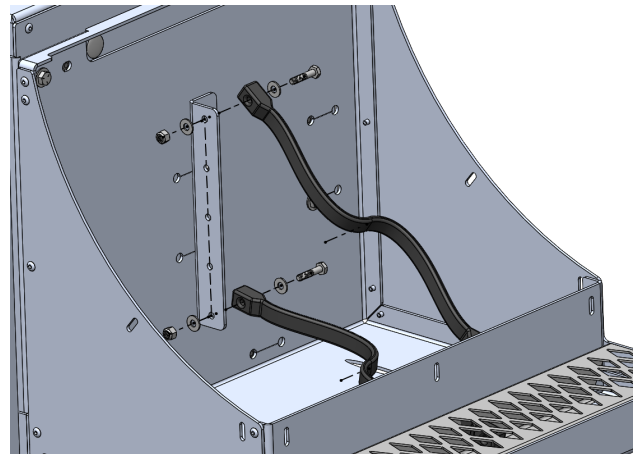
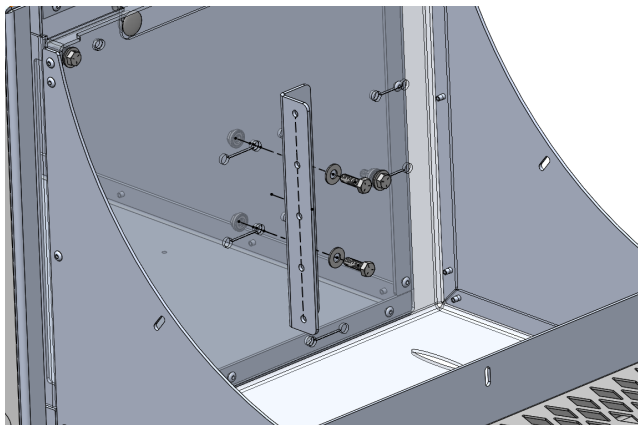
**2** Line up the utility storage step with existing holes. It will overhang the backside of an 18" toolbox

\* Recommended to use 5/16" or larger nuts, bolts, and washers to install. Use nylon locking or blue loctute.



**3** Install bungee bracket (optional)

\* Recommended to use 5/16" hardware to install bracket to product. Use 1/4" hardware to install bungee cords. Adjust bungee cords and bracket as needed.

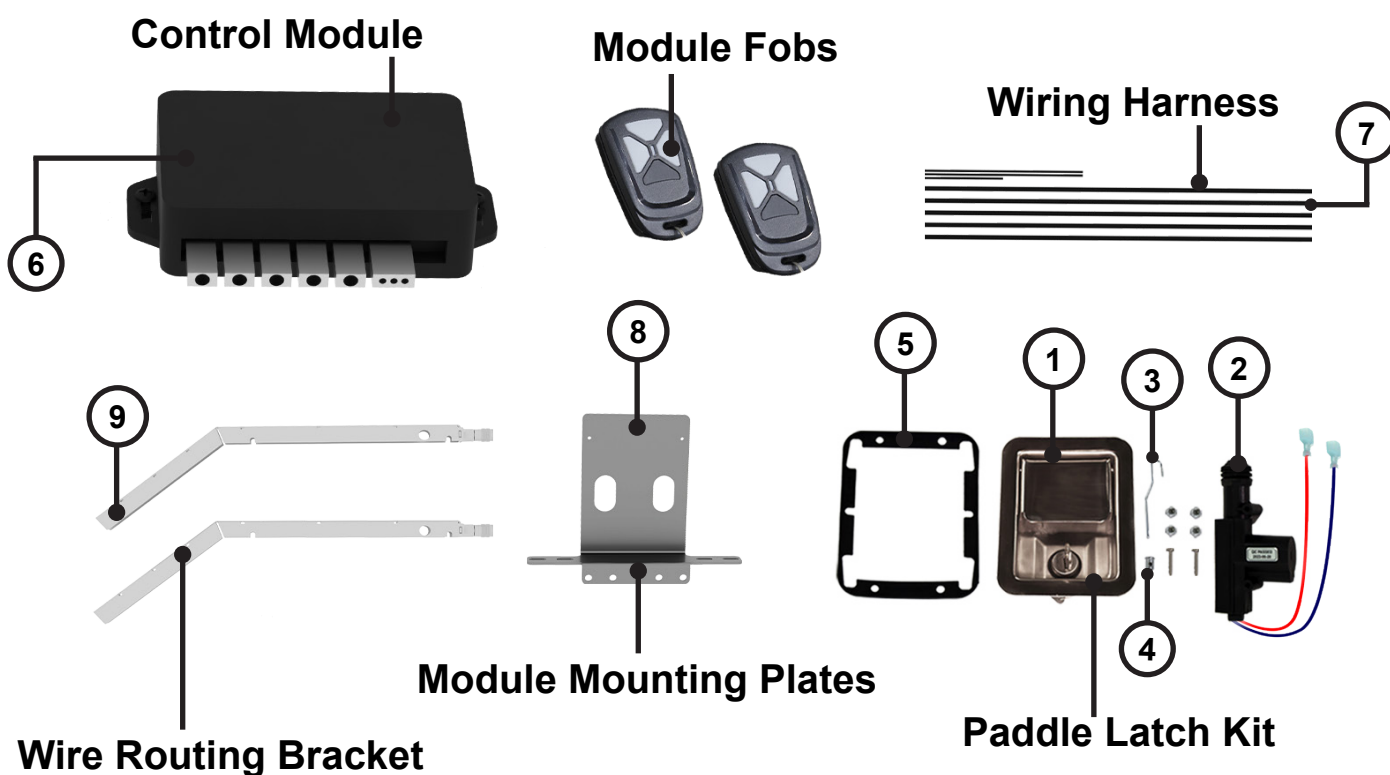


**No Drilling Required, Fits ITD Pro Series™ Toolbox Pre Drilled Holes.**



# POWER LOCK KITS

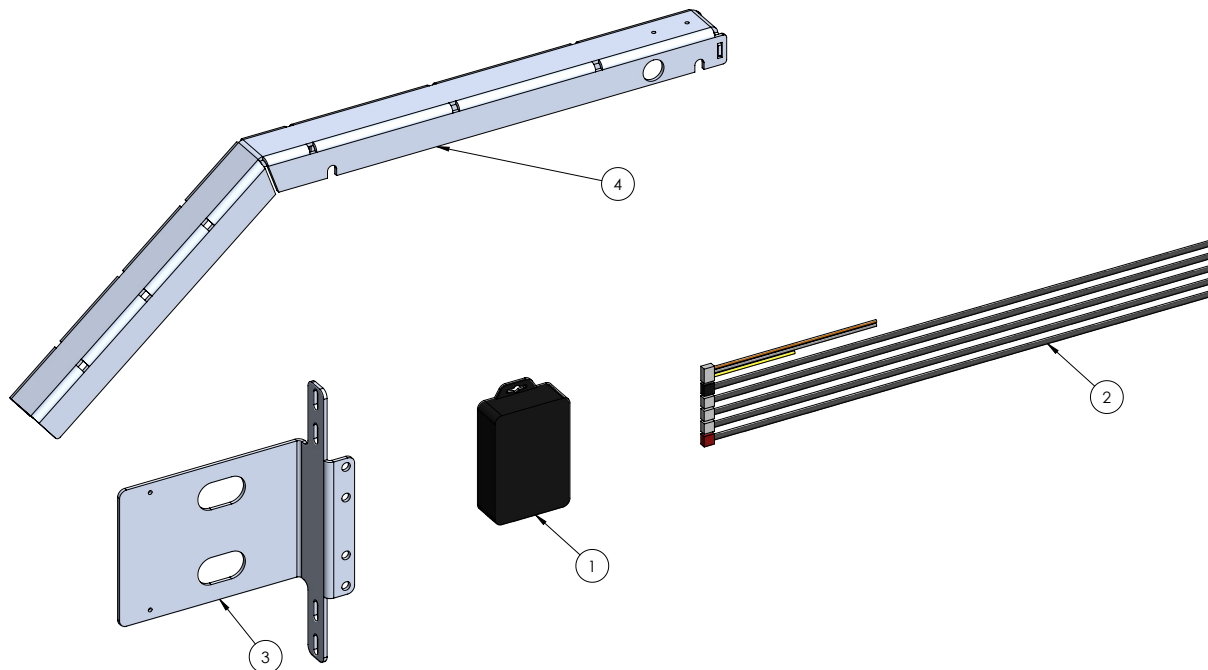
Power Lock™ Kits		
PART #	KIT	DESCRIPTION
ITD23511	Retrofit Kit	Includes (1) Control Module, (2) Module Fobs, (1) Wiring Harness, (2) Wire Routing Brackets, (1) Module Mounting Plate, (2) Paddle Latch Kits
ITD23467	Control Module Kit	Includes (2) Module Fobs, (1) Control Module, (1) Wiring Harness, (1) Module Mounting Plate, (2) Wire Routing Brackets
ITD23480	Paddle Latch Kit	Includes (1) Power Lock Linear Actuator, (1) Power Lock Connecting Rod, (1) Power Lock Rod Adaptor, (1) Power Lock Paddle Latch, (1) Paddle Latch Gasket



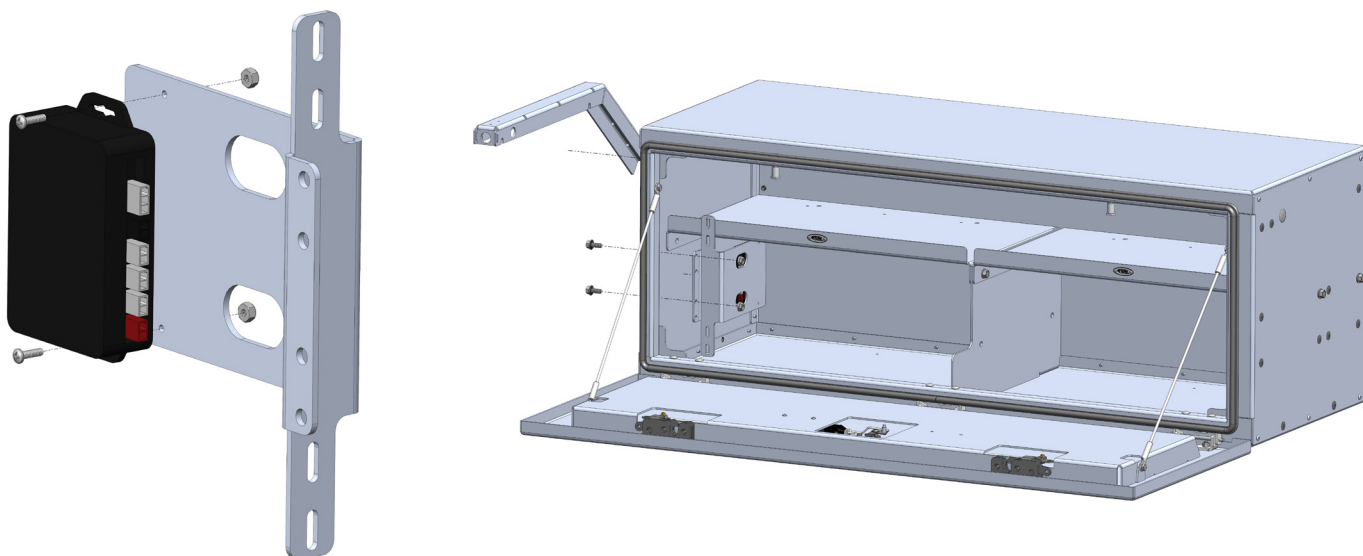
Power Lock™ Replacement Parts		
ITEM #	PART #	DESCRIPTION
1	ITD23396	Power Lock Paddle Latch W/Free Wheeling Cam
2	ITD23139	Power Actuator for Door Locks
3	ITD23140	Connecting Rod for Linear Actuator
4	ITD23141	Linear Actuator Rod Adaptor
5	ITD7111	Paddle Latch Gasket
6	ITD23465	RF Controller W/2 Key Fobs
7	ITD23466	RF Controller Wiring Harness Kit
8	ITD23466	Power Lock Module Mounting Bracket
9	ITD6274	Air Fitting Wiring Bracket

# POWER LOCK INSTALLATION

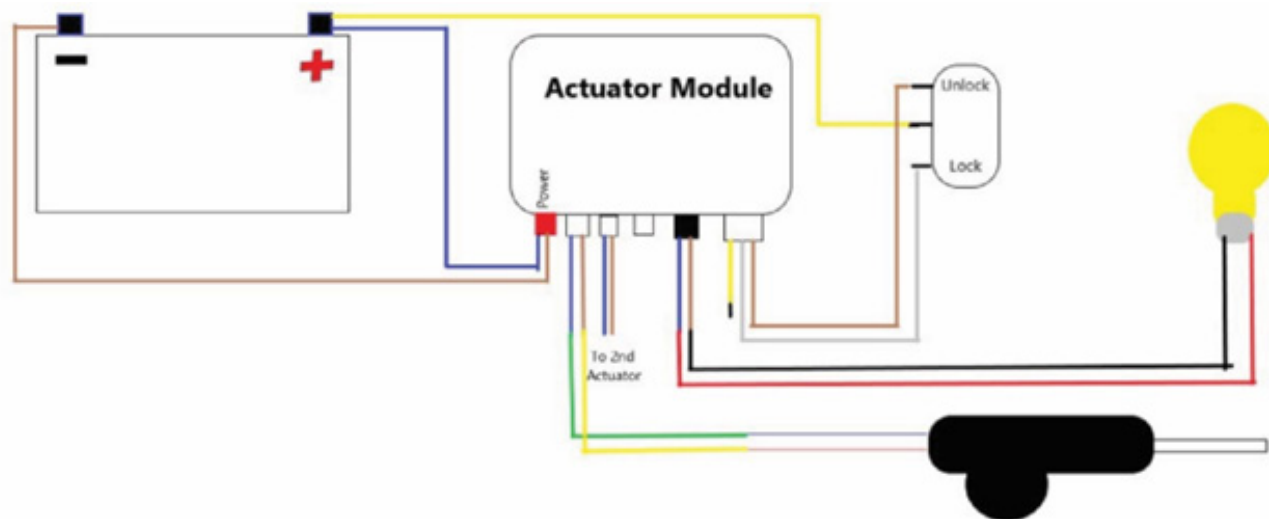
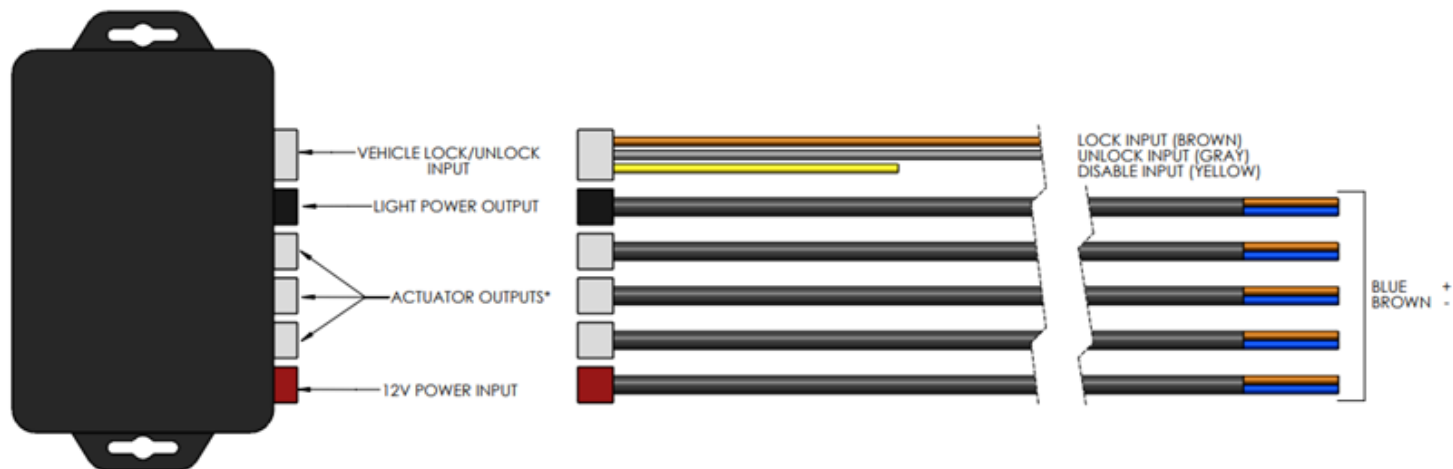
Power Lock™ Complete Wiring Kit			
ITEM #	PART #	DESCRIPTION	QTY
1	ITD23465	RF Control Module	1
2	ITD23466	Wiring Harness	1
3	ITD23501	Module Mounting Plate	1
4	ITD6274	Air Fitting & Wire Routing Bracket	2



## 1. Install Module to Mounting Bracket \* Note: 5/16" flange bolts are NOT included.



# POWER LOCK WIRING INSTRUCTIONS



**NOTE: MULTIPLE ACTUATORS CAN BE WIRED INTO EACH OUTPUT EACH ACTUATOR OUTPUT HAS MAX OUTPUT OF 20 AMPS IN THE DITCH ACTUATORS HAVE MAX DRAW OF 4.5 AMPS**

# POWER LOCK INFORMATION

## OPERATION:

1. Remote FOB has 30 foot range\* from vehicle.
2. Button 1 (Light) Activates the LED light output for 5 minutes. Press again to turn off LED light.
3. Button 2 Unlocks the system (Outputs 1-3). LED light output will automatically turn on for 2 minutes when system is unlocked.
4. Button 3 Locks the system (Outputs 1-3). LED light output will automatically turn off when system is locked.
5. If any button is pressed 8 times within 30 seconds, the system will disable for 30 seconds.  
To optimize signal strength keep the fob from direct contact with cell phones and other similar items which can cause signal interference.



## PAIRING THE KEY FOB:

The RF FOB is equipped with a rolling encryption code.

1. Enter "Learning Mode" of the Control Module by locating and pressing the programming button (next to Vehicle Lock/Unlock input port) 3x until red LED activates.
2. Press any Button on the RF FOB 1 time, the LED indicator will flash and then remain solid
3. The FOB has now been paired.
4. System will automatically exit Learning Mode within 30 seconds.
5. If pairing multiple Fobs (up to 3 total per control box):
  - a. Enter "Learning Mode" by locating and pressing the programming button 3x until red LED activates.
  - b. Press any button on each fob 1 time. LED indicator will flash with each fob and remain solid.
  - c. System will automatically exit Learning Mode within 30 seconds.

## Reset key fob pairing:


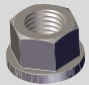
The system can be reset by holding down the programming button for 5 seconds until the LED flashes 3 times.

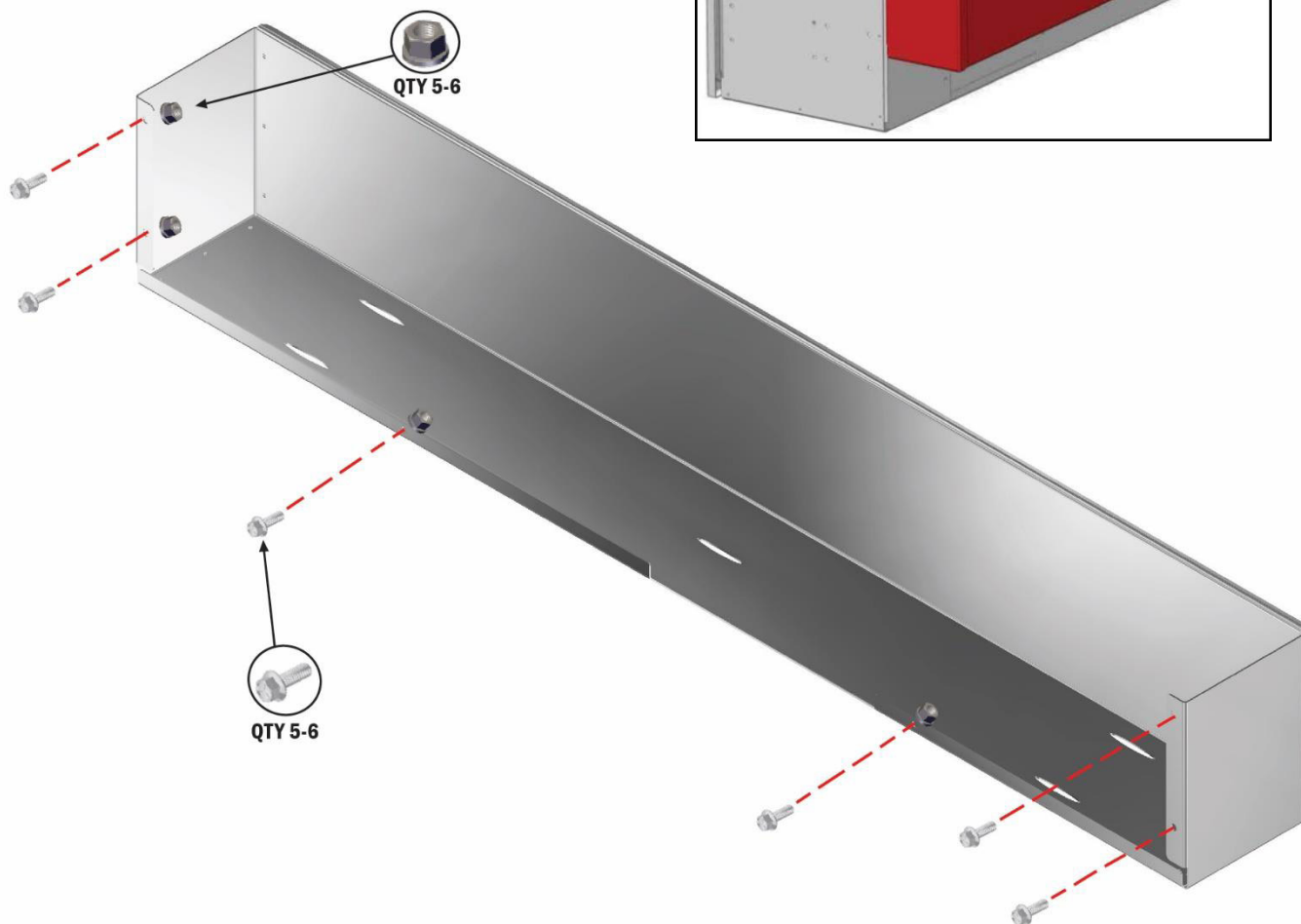
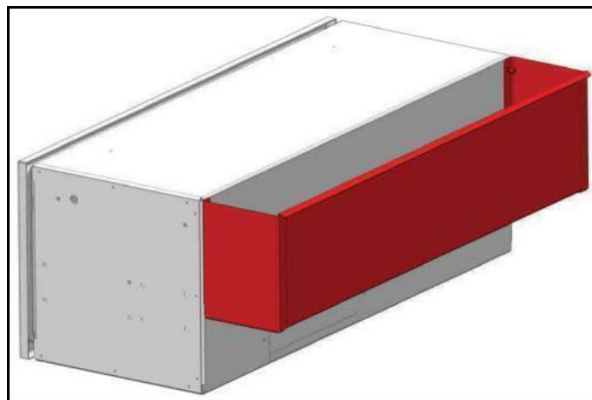
All previously paired key fobs will need to be paired again.

# TOOLBOX ACCESSORIES

Lumber Baskets	
PART #	DESCRIPTION
ITD1280	70" Lumber Basket
ITD1281	60" Lumber Basket
ITD1282	48" Lumber Basket
ITD1283	36" Lumber Basket

Mounting hardware included.

IMG	DESCRIPTION	QTY
	5/16" – 18 X3/4" Flanged Bolt	5-6
	5/16" – 18 Flanged Nut	5-6






No Drilling Required, Fits ITD Pro Series™ Toolbox Pre Drilled Holes.

**Workman Series will require drilling.**

<https://intheditch.com/tool-box-accessories/>

# TOOLBOX ACCESSORIES

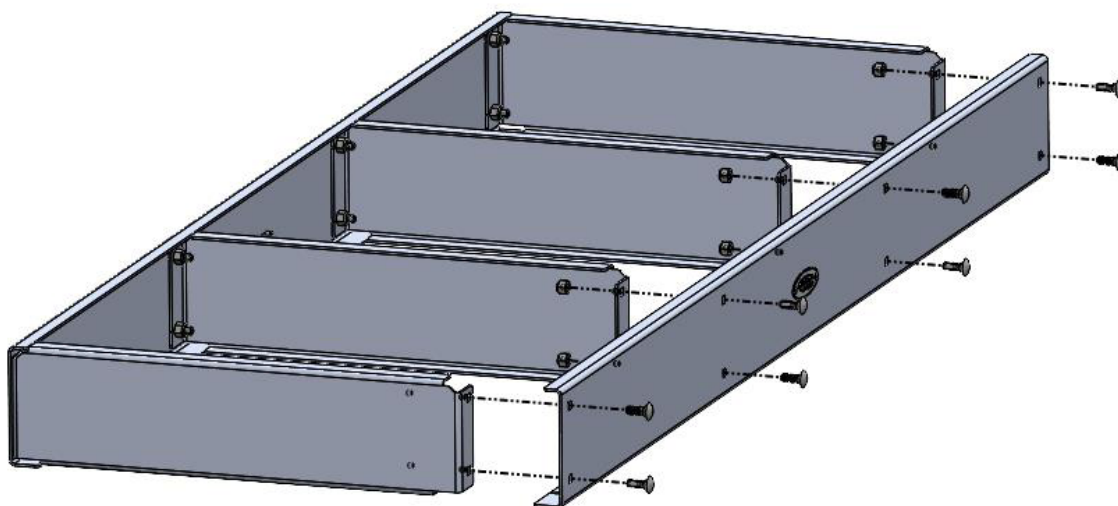
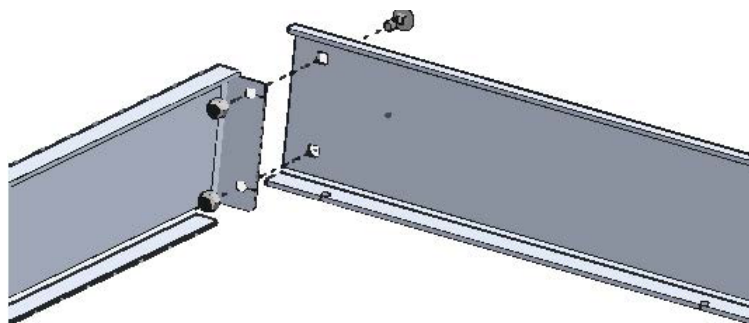
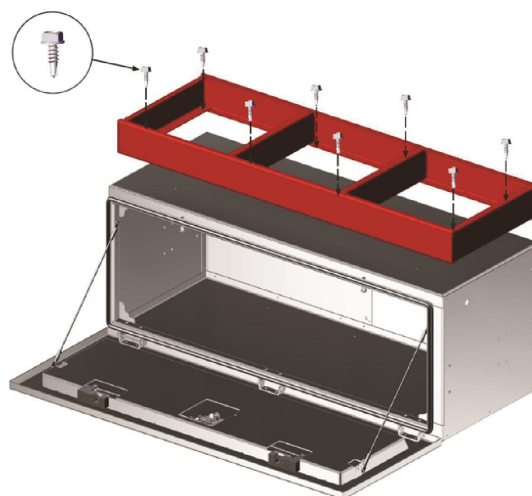
## Installation Guide for ITD Box Top Trays Installed on any Toolbox

IMG	DESCRIPTION	QTY
	1 /4" – 20 X3/4" Carriage Bolt	12
	1 /4" Lock Nuts	12
	#10 Self Drilling Screw	varies

Alternative Fasteners Include: 3/16" Rivets #10 – 24 Machine Screws and Nuts

### Instructions

1. Place Carriage Bolt into Square hole of both the divider and main rail.
2. Use Wrench/Socket to tighten nut on the other side of the bolt till tight.



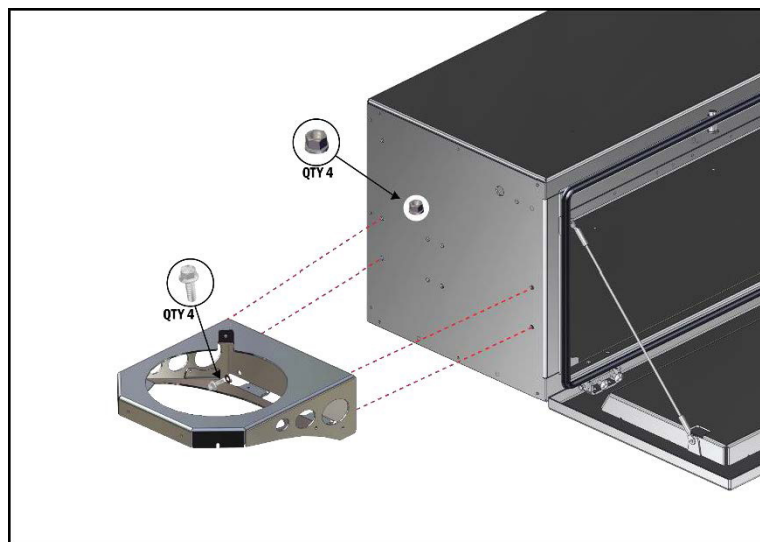
NOTE: It will be easier if you place all the bolts into all the holes and start the nut on each before tightening to help align the rail. **It's up to the installer to ensure proper installation.**

# TOOLBOX ACCESSORIES

## Trash Can Mount Installation

IMG	DESCRIPTION	QTY
	5/8" – 18 X3/4" Flanged Bolt	4
	5/16" – 18 Flanged Nut	4
	5/16" Flat Washers	4

Mounting hardware **NOT** included.



Trash Can Mounts	
PART #	DESCRIPTION
ITD1374	6 Gallon XD Trash Can Mount
ITD1378	4 Gallon XD Trash Can Mount
ITD1270	Dual Trash Can Mount
ITD1056	6 Gallon Trash Can Mount
ITD1052	4 Gallon Trash Can Mount



6 Gallon XD Trash Can Mount  
ITD1374



6 Gallon Trash Can Mount  
ITD1056



4 Gallon Trash Can Mount  
ITD1052



4 Gallon XD Trash Can Mount  
ITD1378



Dual Trash Can Mount  
ITD1270



ITD1087 & ITD1086  
Trash Cans



No Drilling Required, Fits ITD Pro Series™ Toolbox Pre Drilled Holes.


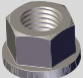
**Workman Series will require drilling.**

<https://intheditch.com/tool-box-accessories/>

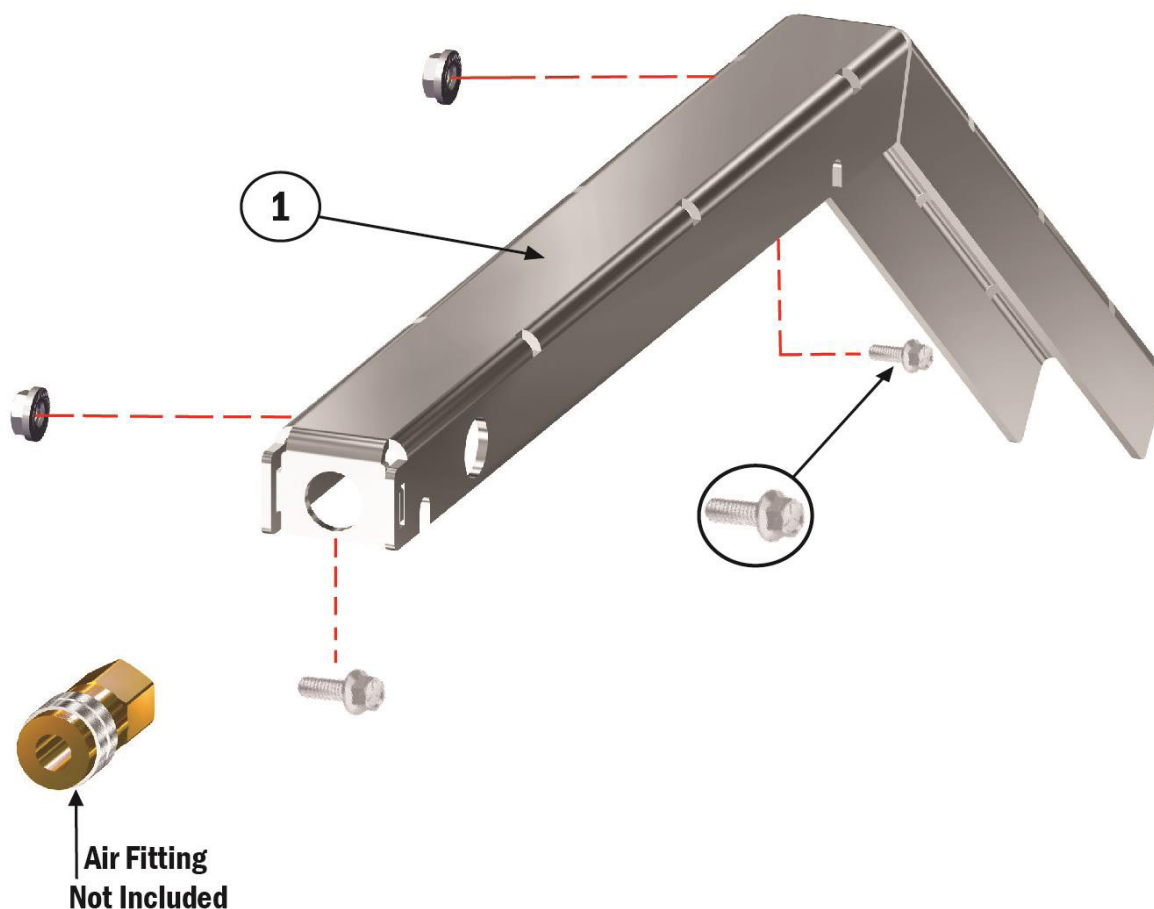
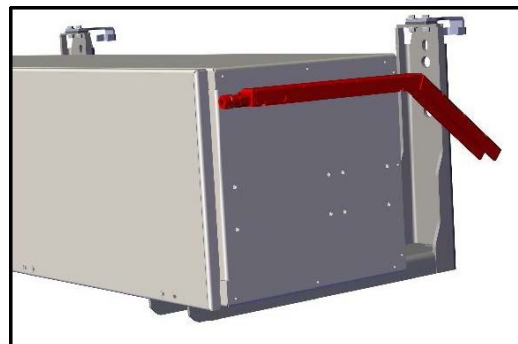
# TOOLBOX ACCESSORIES

## Air Fitting and Wiring Bracket

ITEM #	PART #	DESCRIPTION	QTY
1	ITD6274	Air Fitting Wiring Bracket	1

IMG	DESCRIPTION	QTY
	5/16" – 18 X 3/4" Flanged Bolt	2
	5/16" – 18 Flanged Nut	2

Mounting hardware **NOT** included.



No Drilling Required, Fits ITD Pro Series™ Toolbox Pre Drilled Holes.

**Workman Series will require drilling.**

<https://intheditch.com/tool-box-accessories/>


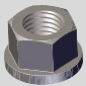


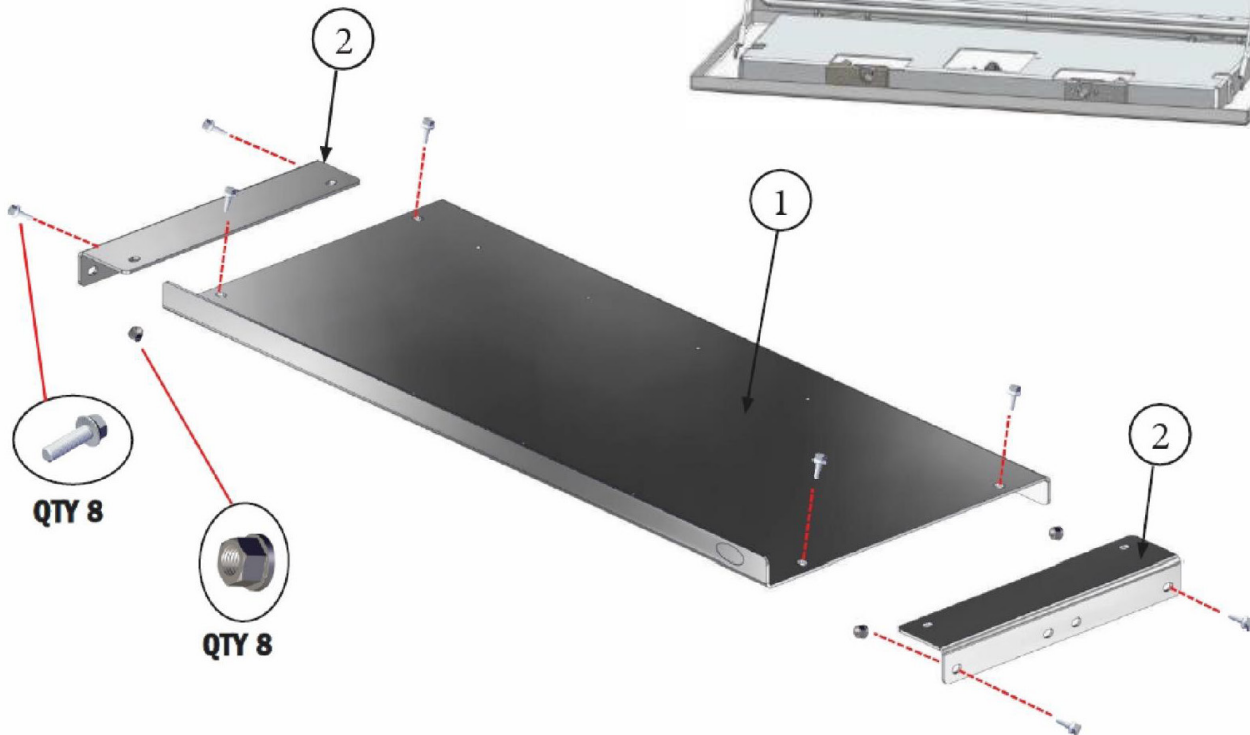
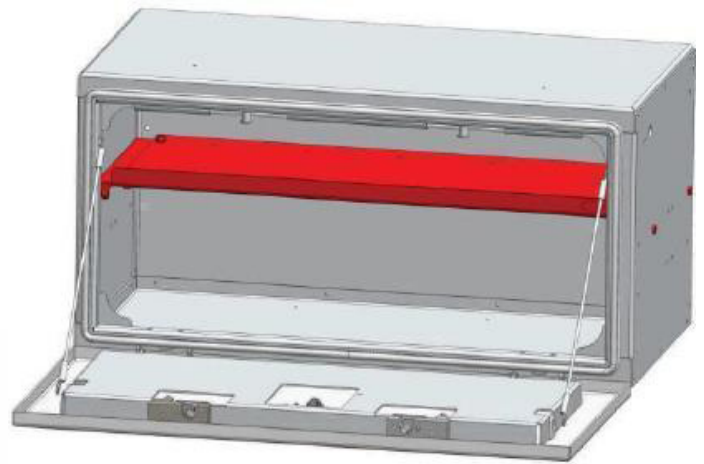
# TOOLBOX ACCESSORIES

## Installation for 24", 30", and 36" Full Shelf

24" (ITD24641), 30" (ITD24682), or 36" (ITD1288) Shelf Kit

ITEM #	PART #	DESCRIPTION	QTY
1	ITD24642	24" Shelf	1
1	ITD24683	30" Shelf	1
1	ITD6302	36" Shelf	1
2	ITD6301	Support Brackets	2

IMG	DESCRIPTION	QTY
	5/6" – 18 X3/4" Flanged Bolt	8
	5/16" – 18 Flanged Nut	8



No Drilling Required, Fits ITD Pro Series™ Toolbox Pre Drilled Holes.

**Workman Series will require drilling.**

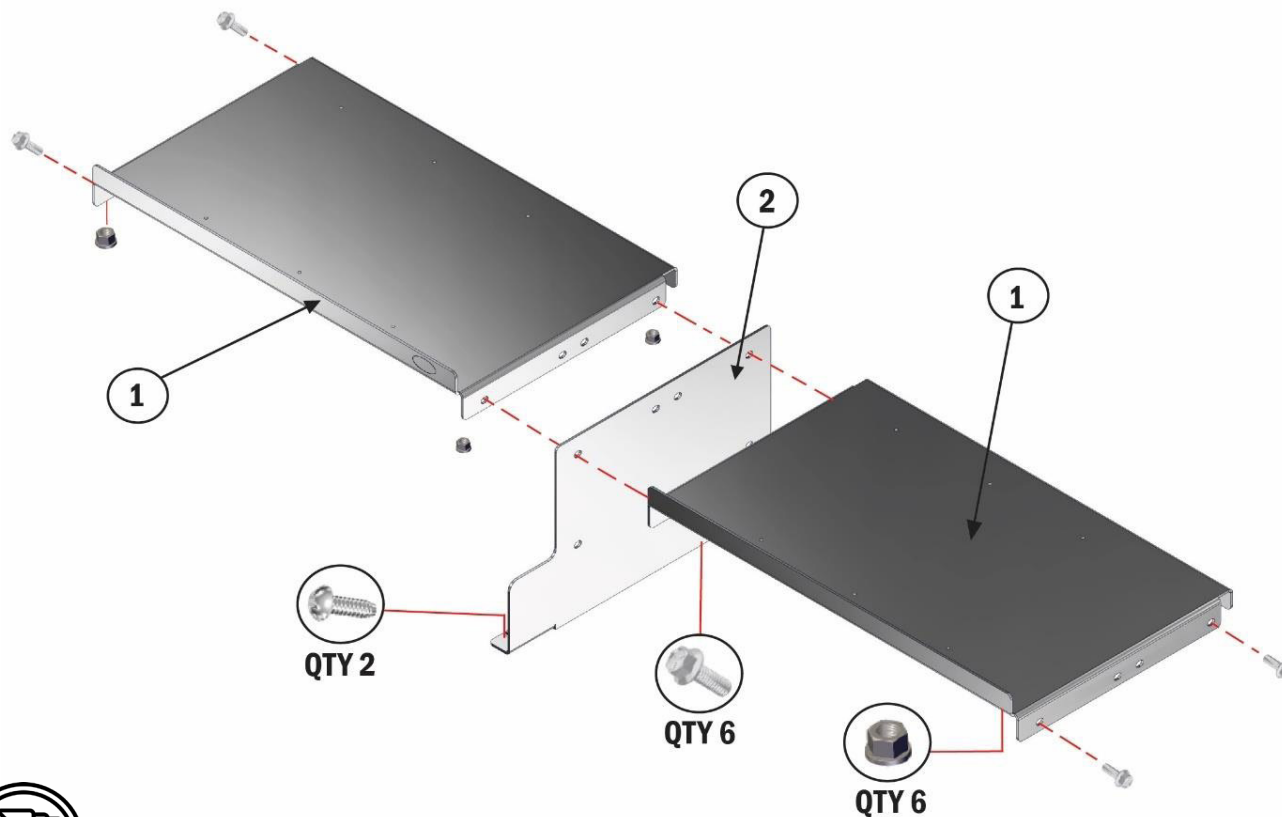
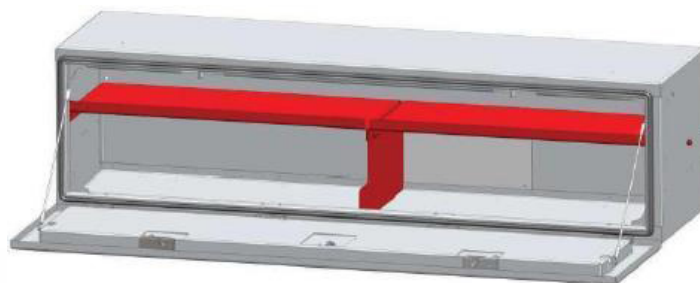
<https://intheditch.com/tool-box-accessories/>

# TOOLBOX ACCESSORIES

## Installation for Full Length Shelf Kit

48" (ITD1287), 60" (ITD1658), 70" (ITD1286), or 80" (ITD24684) Full Length Shelf Kit			
ITEM #	PART #	DESCRIPTION	QTY
1	ITD6282	48" Replacement Shelf	2
1	ITD1659	60" Replacement Shelf	2
1	ITD6257	70" Replacement Shelf	2
1	ITD24685	80" Replacement Shelf	2
2	ITD6281	Center Support	1

IMG	DESCRIPTION	QTY
	5/6" – 18 X3/4" Flanged Bolt	6
	5/16" – 18 Flanged Nut	6
	#10-24 Self Threaded Screw	2



No Drilling Required, Fits ITD Pro Series™ Toolbox Pre Drilled Holes.


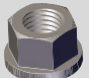
**Workman Series will require drilling.**

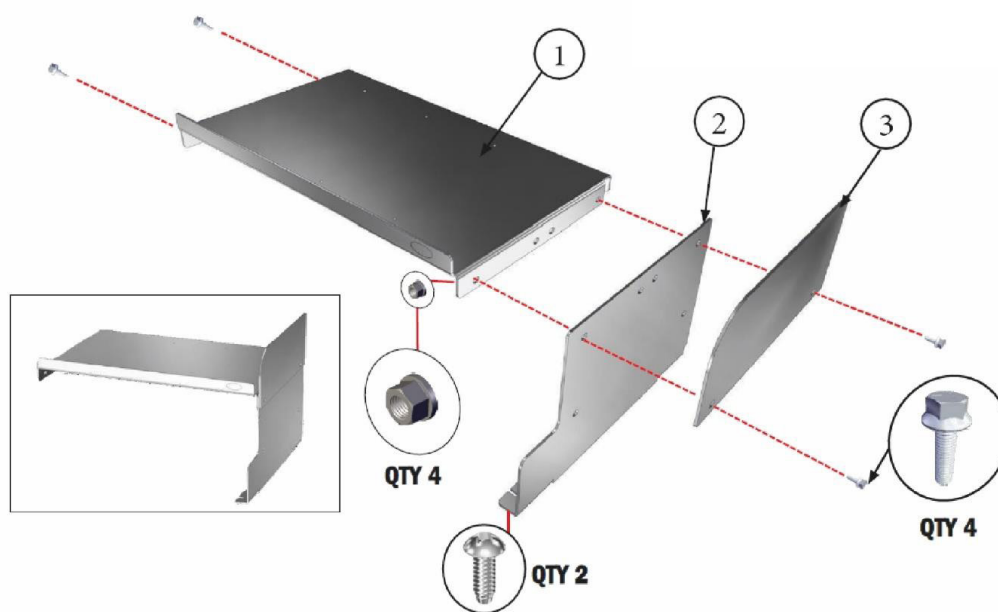
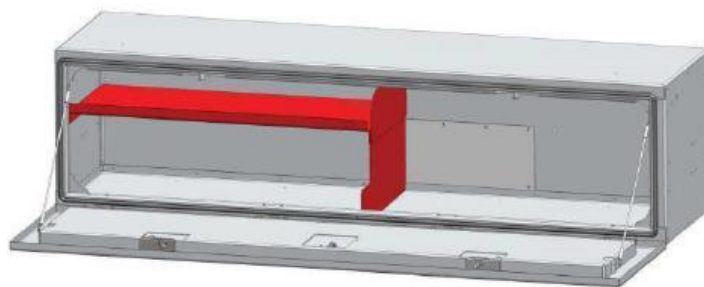
# TOOLBOX ACCESSORIES

## Installation for Half Shelf Kits

48" (ITD1342), 60" (ITD1661), 70" (ITD1341), or 80" (ITD24701) Half Length Shelf

ITEM #	PART #	DESCRIPTION	QTY
1	ITD6282	48" Replacement Shelf	1
1	ITD1659	60" Replacement Shelf	1
1	ITD6257	70" Replacement Shelf	1
1	ITD24685	80" Replacement Shelf	1
2	ITD6281	Center Support	1
3	ITD1326	Center Divider	1

IMG	DESCRIPTION	QTY
	5/6" – 18 X3/4" Flanged Bolt	4
	5/16" – 18 Flanged Nut	4
	#10-24 Self Threaded Screw	2



No Drilling Required, Fits ITD Pro Series™ Toolbox Pre Drilled Holes.

**Workman Series will require drilling.**

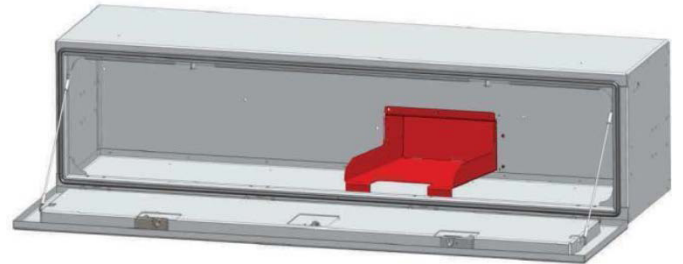
<https://intheditch.com/tool-box-accessories/>

# TOOLBOX ACCESSORIES

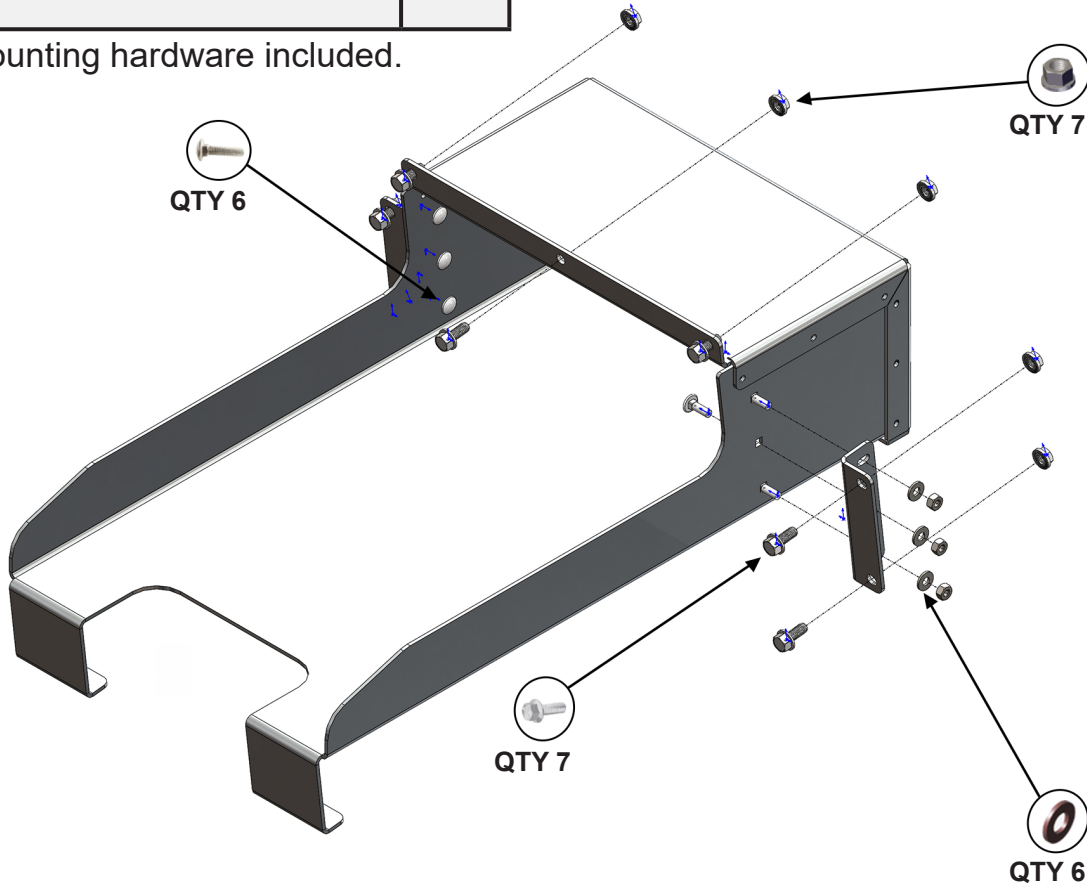
## Jack Bracket

ITEM #	PART #	DESCRIPTION	QTY
1	ITD1284	Slide In Jack Bracket	1
2	ITD24650	Slide In Floor Jack Bracket XL Series Compatible	1

IMG	DESCRIPTION	QTY
	5/16" – 18 X3/4" Flanged Bolt	7
	5/16" – 18 Flanged Nut	7
	1/4" – 20 X3/4" SS Carriage Bolt	6
	1/4" – 20 Lock Nut	6
	1/4" Flat Washer	6



Mounting hardware included.



**No Drilling Required, Fits ITD Pro Series™ Toolbox Pre Drilled Holes.**




**NOT COMPATIBLE W/ WORKMAN SERIES**

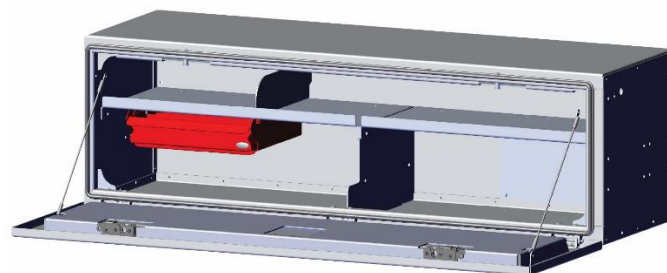
<https://intheditch.com/tool-box-accessories/>

# TOOLBOX ACCESSORIES

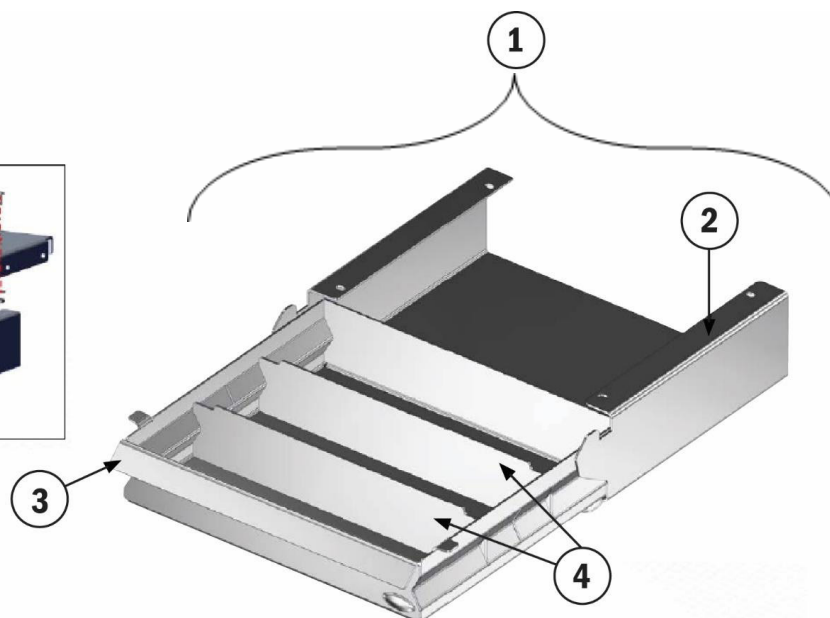
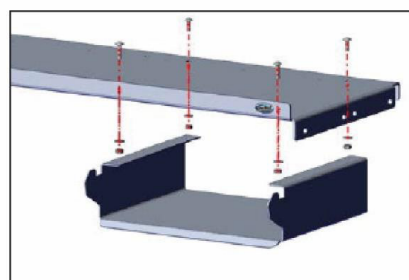
## Installation for Drawers

Pro Series™ Slide Out Drawer			
ITEM #	PART #	DESCRIPTION	QTY
1	ITD1613	Pro Series™ Slide Out Drawer (Complete Assembly)	1
2	ITD1614	Slide Out Drawer Bracket	1
3	ITD1615	Slide Out Tray	1
4	ITD1616	Drawer Dividers	2

IMG	DESCRIPTION	QTY
	1 / 4" – 20 X 1" Carriage Bolt (Front of Shelf)	2
	1 / 4" – 20 X 3/4" Carriage Bolt (Back of Shelf)	2
	1 / 4" Lock Nuts	4
	1 / 4" Flat Washers	4



Mounting hardware included.



No Drilling Required, Fits ITD Pro Series™ Toolbox Pre Drilled Holes.





**Workman Series will require drilling.**

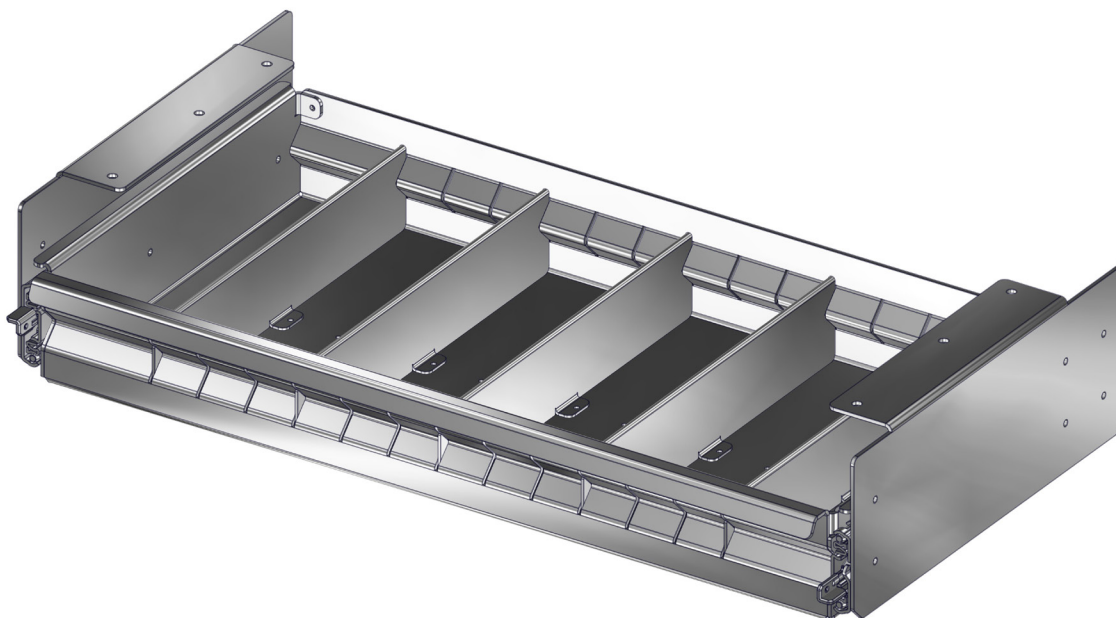
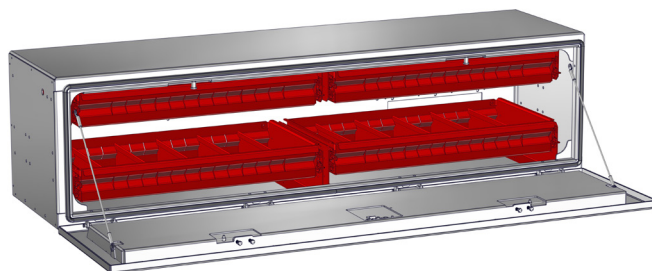
<https://intheditch.com/tool-box-accessories/>

# TOOLBOX ACCESSORIES

## Installation for HD Drawers

Pro Series™ Slide Out Drawer			
ITEM #	PART #	DESCRIPTION	QTY
1	ITD1685	30" Heavy Duty Storage Drawer	1
2	ITD1692	25" Heavy Duty Storage Drawer	1
3	ITD1694	19" Heavy Duty Storage Drawer	1
4	ITD1696	40.5" Heavy Duty Storage Drawer	1

IMG	DESCRIPTION	QTY
	1/4" – 20 X 1" Carriage Bolt (Front of Shelf)	2
	1/4" – 20 X 3/4" Carriage Bolt (Back of Shelf)	2
	1/4" Lock Nuts	4
	1/4" Flat Washers	4



No Drilling Required, Fits ITD Pro Series™ Toolbox Pre Drilled Holes.

**Workman Series will require drilling.**

<https://intheditch.com/tool-box-accessories/>