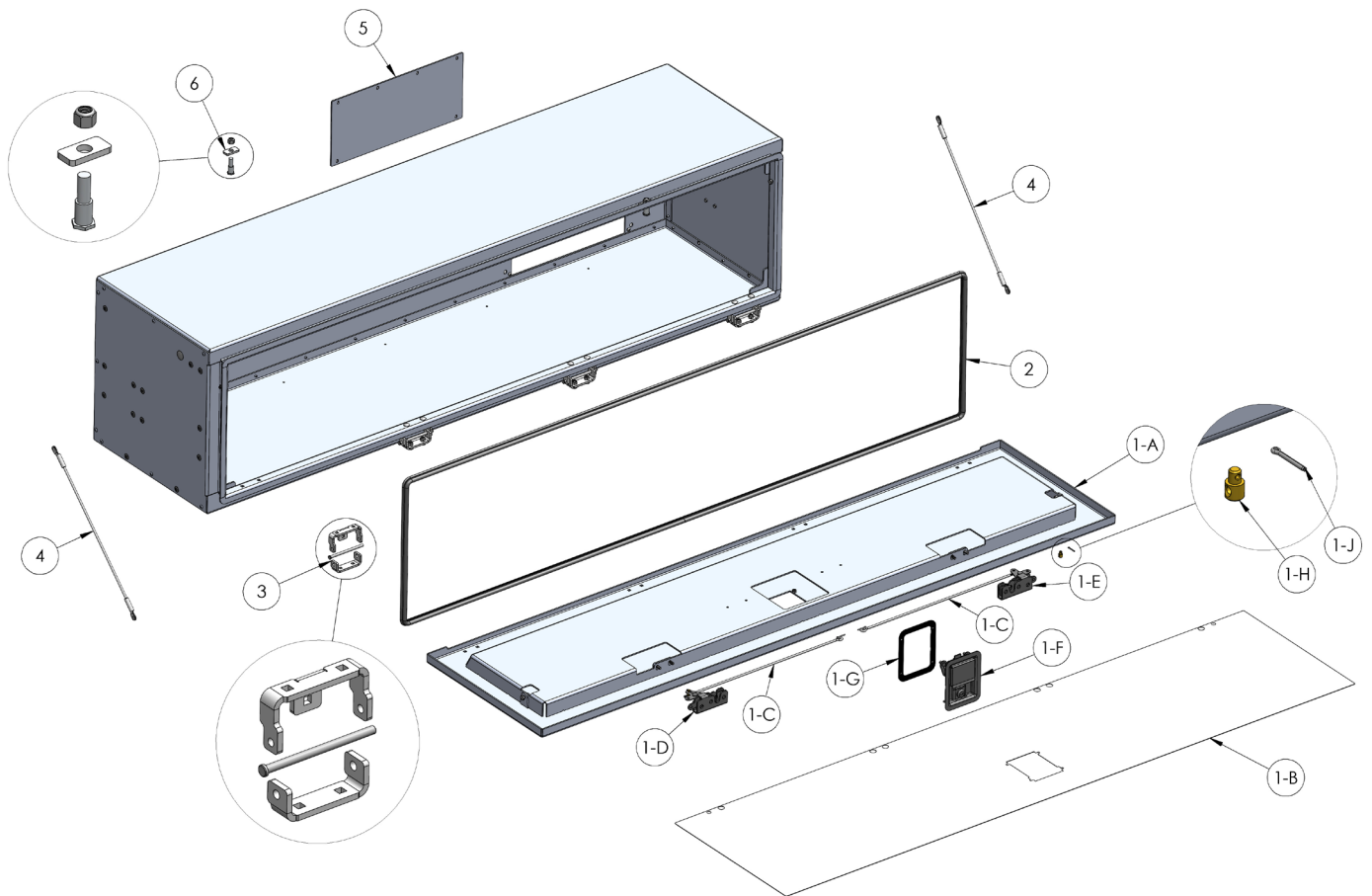




PRO SERIES™ TOOLBOX

REPLACEMENT PARTS



208-587-7960
WWW.INTHEDITCH.COM

REPLACEMENT PARTS

ITEM #	PART #	DESCRIPTION	QTY
24" Pro Series™ Tool Box			
1-A	ITD4490	Complete 24" Door Assembly (Stainless Hinges Included, See Item #3)	1
1-B	ITD24495	24" Replacement Stainless Steel Panel (Includes 3M Adhesive Tape)	1
1-C	ITD7115	8" Connection Rod (For 24", 30", and 36" Door)	2
30" Pro Series™ Tool Box			
1-A	ITD24505	Complete 30" Door Assembly (Stainless Hinges Included, See Item #3)	1
1-B	ITD24510	30" Replacement Stainless Steel Panel (Includes 3M Adhesive Tape)	1
1-C	ITD7115	8" Connection Rod (For 24", 30", and 36" Door)	2
36" Pro Series™ Tool Box			
1-A	ITD6304	Complete 36" Door Assembly (Stainless Hinges Included, See Item #3)	1
1-B	ITD6305	36" Replacement Stainless Steel Panel (Includes 3M Adhesive Tape)	1
1-C	ITD7115	8" Connection Rod (For 24", 30", and 36" Door)	2
48" Pro Series™ Tool Box			
1-A	ITD6284	Complete 48" Door Assembly (Stainless Hinges Included, See Item #3)	1
1-B	ITD6285	48" Replacement Stainless Steel Panel (Includes 3M Adhesive Tape)	1
1-C	ITD7114	14.5" Connection Rod (For 48" Door)	2
60" Pro Series™ Tool Box			
1-A	ITD1655	Complete 60" Door Assembly (Stainless Hinges Included, See Item #3)	1
1-B	ITD6256	60" Replacement Stainless Steel Panel (Includes 3M Adhesive Tape)	1
1-C	ITD7110	20" Connection Rod (For 60", 70", and 80" Door)	2
70" Pro Series™ Tool Box			
1-A	ITD6259	Complete 70" Door Assembly (Stainless Hinges Included, See Item #3)	1
1-B	ITD6261	70" Replacement Stainless Steel Panel (Includes 3M Adhesive Tape)	1
1-C	ITD7110	20" Connection Rod (For 60", 70", and 80" Door)	2
80" Pro Series™ Tool Box			
1-A	ITD4588	Complete 80" Door Assembly (Stainless Hinges Included, See Item #3)	1
1-B	ITD24589	80" Replacement Stainless Steel Panel (Includes 3M Adhesive Tape)	1
1-C	ITD7110	20" Connection Rod (For 60", 70", and 80" Door)	2
All Pro Series™ Tool Box			
1-D	ITD7317	Right Rotary Latch (Fits All Models) Serial #500657 or Newer	1
1-E	ITD7318	Left Rotary Latch (Fits All Models) Serial #500657 or Newer	1
1-F	ITD7316	Paddle Latch (Fits All Models) Serial #500657 or Newer	1
1-G	ITD7111	Paddle Latch Gasket	1
1-H	ITD7113	Latch Rod End	2
1-J	ITD20205	1/16" Cotter Pin	4
2	ITD7112	Door Gasket (Custom cut to fit each Pro Series Tool Box model)	1
3	ITD6408	Stainless Hinge Assembly (Includes Both Sides of Hinge)	3 or 4
4	ITD7116	18" Cable Lanyard	2
5	ITD6008	Cover Plate (For ITD1570 & ITD1548 ONLY)	1
6	ITD6409	Striker Assembly (Includes Striker, Stainless Back Plate, Nut)	2

Pro Series™ Toolboxes

PART #	DESCRIPTION
Pro Series™ Toolboxes	
ITD24488	24" Pro Series™ Tool Box
ITD24503	30" Pro Series™ Tool Box
ITD1536	36" Pro Series™ Tool Box
ITD1548	48" Pro Series™ Tool Box
ITD1660	60" Pro Series™ Tool Box
ITD1570	70" Pro Series™ Tool Box
ITD24582	80" Pro Series™ Tool Box

ATTENTION

Please Note: Due to contributing factors beyond our control that could cause rust, staining, or discoloration of Polished Surfaces, In The Ditch Towing Products does not warranty polished stainless steel panels. In an effort to keep your stainless looking its best, please visit www.intheditch.com to find the best practices for maintaining your polished stainless-steel products. By following our maintenance recommendation, your polished stainless steel should look great for years to come.