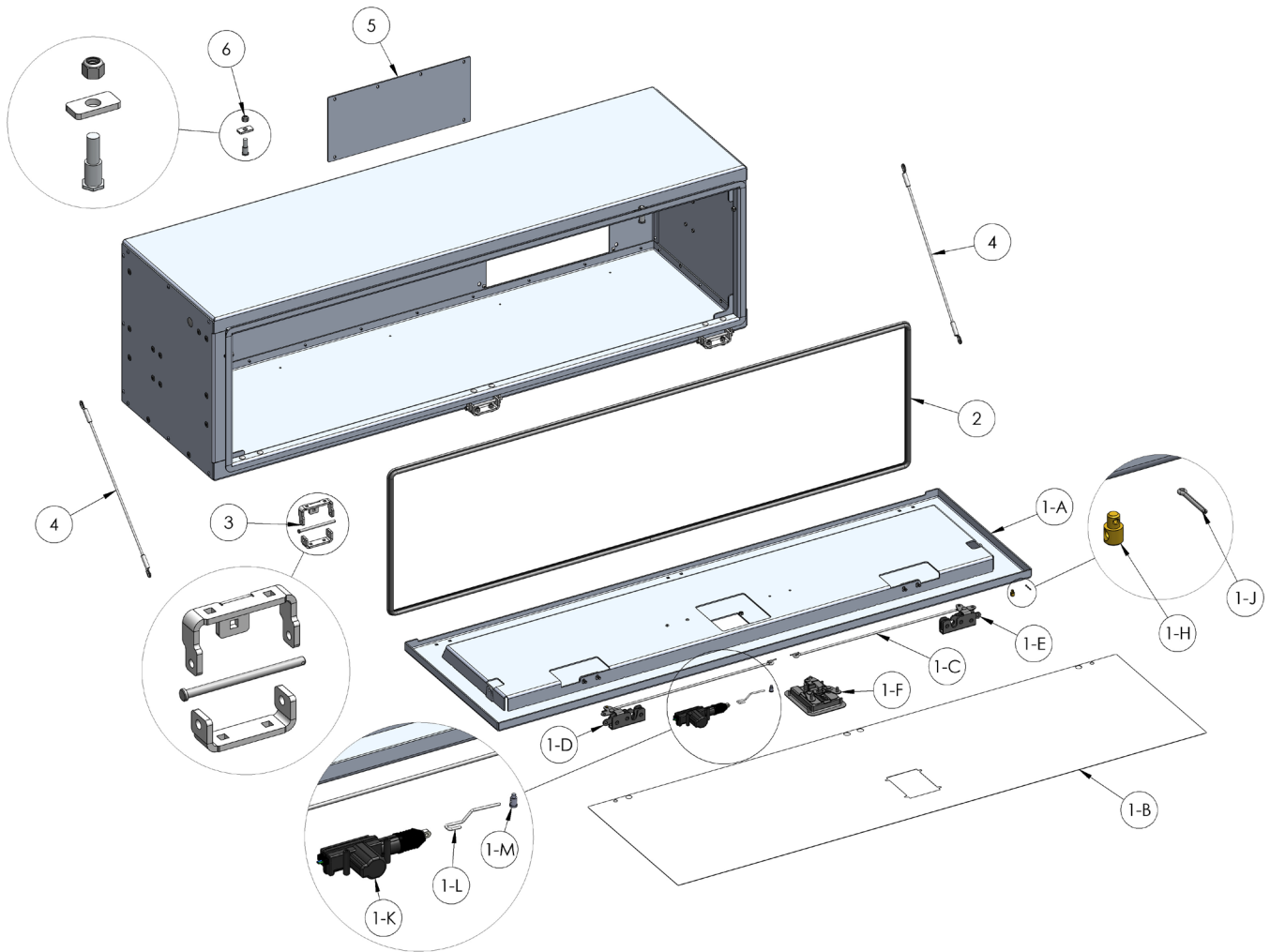




# POWER LOCK™ REMOTE LOCKING TOOLBOX

## REPLACEMENT PARTS



**208-587-7960**  
**WWW.INTHEDITCH.COM**

# REPLACEMENT PARTS

ITEM #	PART #	DESCRIPTION	QTY
<b>24" Power Lock™ Toolbox</b>			
1-A	ITD25059	Complete 24" Door Assembly (Stainless Hinges Included, See Item #3)	1
1-B	ITD24495	24" Replacement Stainless Steel Panel (Includes 3M Adhesive Tape)	1
1-C	ITD7115	8" Connection Rod (For 24", 30", and 36" Door)	2
<b>30" Power Lock™ Toolbox</b>			
1-A	ITD25060	Complete 30" Door Assembly (Stainless Hinges Included, See Item #3)	1
1-B	ITD24510	30" Replacement Stainless Steel Panel (Includes 3M Adhesive Tape)	1
1-C	ITD7115	8" Connection Rod (For 24", 30", and 36" Door)	2
<b>36" Power Lock™ Toolbox</b>			
1-A	ITD23491	Complete 36" Door Assembly (Stainless Hinges Included, See Item #3)	1
1-B	ITD6305	36" Replacement Stainless Steel Panel (Includes 3M Adhesive Tape)	1
1-C	ITD7115	8" Connection Rod (For 24", 30", and 36" Door)	2
<b>48" Power Lock™ Toolbox</b>			
1-A	ITD23492	Complete 48" Door Assembly (Stainless Hinges Included, See Item #3)	1
1-B	ITD6285	48" Replacement Stainless Steel Panel (Includes 3M Adhesive Tape)	1
1-C	ITD7114	14.5" Connection Rod (For 48" Door)	2
<b>60" Power Lock™ Toolbox</b>			
1-A	ITD23497	Complete 60" Door Assembly (Stainless Hinges Included, See Item #3)	1
1-B	ITD6256	60" Replacement Stainless Steel Panel (Includes 3M Adhesive Tape)	1
1-C	ITD7110	20" Connection Rod (For 60", 70", and 80" Door)	2
<b>70" Power Lock™ Toolbox</b>			
1-A	ITD23395	Complete 70" Door Assembly (Stainless Hinges Included, See Item #3)	1
1-B	ITD6261	70" Replacement Stainless Steel Panel (Includes 3M Adhesive Tape)	1
1-C	ITD7110	20" Connection Rod (For 60", 70", and 80" Door)	2
<b>80" Power Lock™ Toolbox</b>			
1-A	ITD25061	Complete 80" Door Assembly (Stainless Hinges Included, See Item #3)	1
1-B	ITD24589	80" Replacement Stainless Steel Panel (Includes 3M Adhesive Tape)	1
1-C	ITD7110	20" Connection Rod (For 60", 70", and 80" Door)	2
<b>All Power Lock™ Remote Locking Toolbox</b>			
1-D	ITD7317	Right Rotary Latch (Fits All Models)	1
1-E	ITD7318	Left Rotary Latch (Fits All Models)	1
1-F	ITD23396	Power Lock Paddle Latch (Fits All Models)	1
1-G	ITD23758	Power Lock Paddle Latch Gasket (Fits all Models)	1
1-H	ITD7113	Latch Rod End	2
1-J	ITD20205	1/16" Cotter Pin	4
1-K	ITD23139	Power Actuator for Door Locks (Fits All Models)	1
1-L	ITD23140	Connecting Rod For Linear Actuator (Fits All Models)	1
1-M	ITD23141	Linear Actuator Rod Adapter (Fits All Models)	1
2	ITD7112	Door Gasket (Custom cut to fit each Pro Series Tool Box model)	1
3	ITD6408	Stainless Hinge Assembly (Includes Both Sides of Hinge)	3 or 4
4	ITD7116	18" Cable Lanyard	2
5	ITD6008	Cover Plate (For ITD1570 & ITD1548 ONLY)	1
6	ITD6409	Striker Assembly (Includes Striker, Stainless Back Plate, Nut)	2

# Power Lock™ Remote Locking Toolboxes

PART #	DESCRIPTION
<b>Power Lock™ Remote Locking Tool Boxes</b>	
<b>ITD24853</b>	<b>24" Power Lock™ Tool Box</b>
<b>ITD24854</b>	<b>30" Power Lock™ Tool Box</b>
<b>ITD3536</b>	<b>36" Power Lock™ Tool Box</b>
<b>ITD3548</b>	<b>48" Power Lock™ Tool Box</b>
<b>ITD3660</b>	<b>60" Power Lock™ Tool Box</b>
<b>ITD3570</b>	<b>70" Power Lock™ Tool Box</b>
<b>ITD24855</b>	<b>80" Power Lock™ Tool Box</b>

## **ATTENTION**

**Please Note: Due to contributing factors beyond our control that could cause rust, staining, or discoloration of Polished Surfaces, In The Ditch Towing Products does not warranty polished stainless steel panels. In an effort to keep your stainless looking its best, please visit [www.intheditch.com](http://www.intheditch.com) to find the best practices for maintaining your polished stainless-steel products. By following our maintenance recommendation, your polished stainless steel should look great for years to come.**