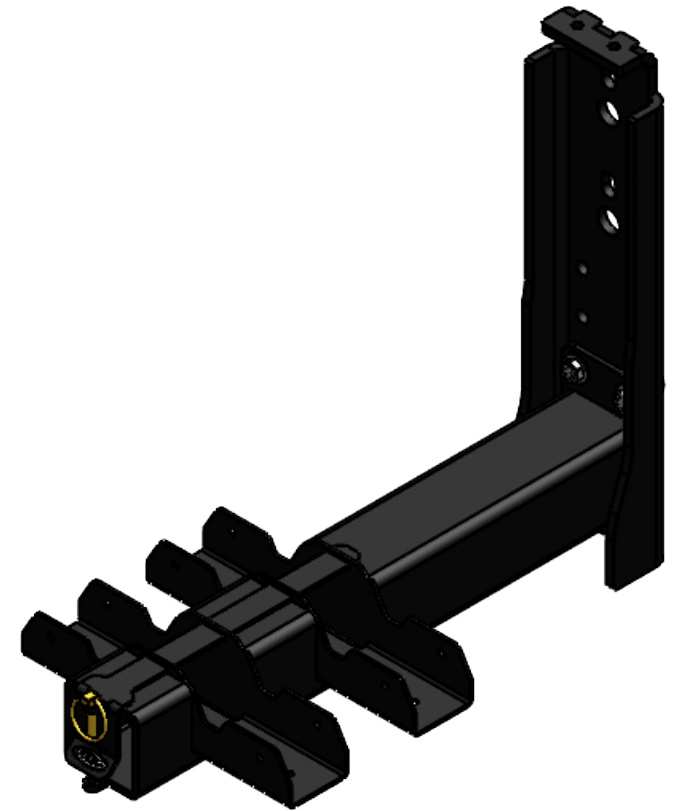
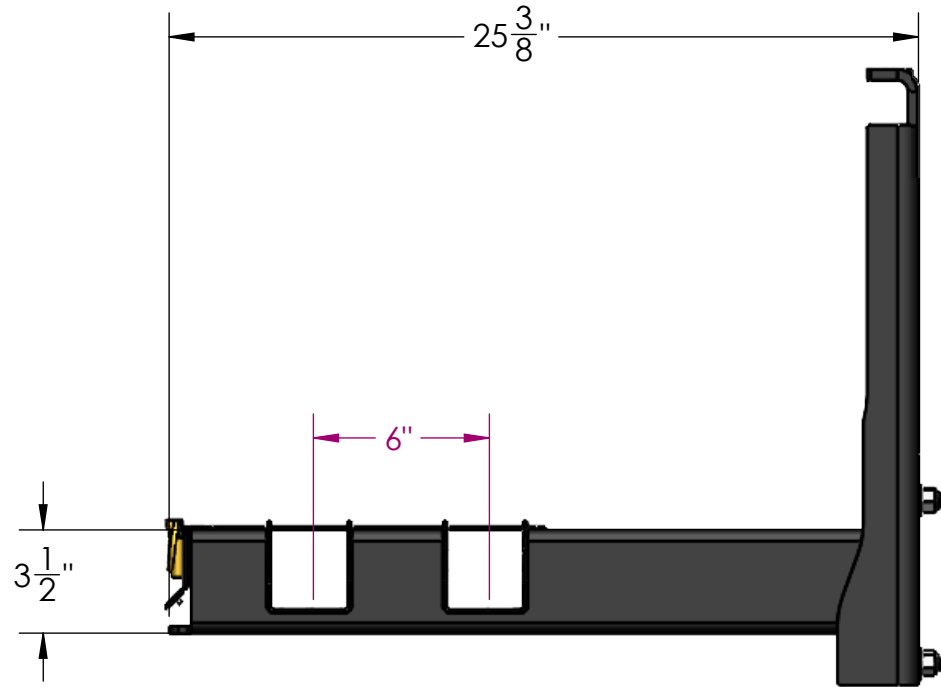
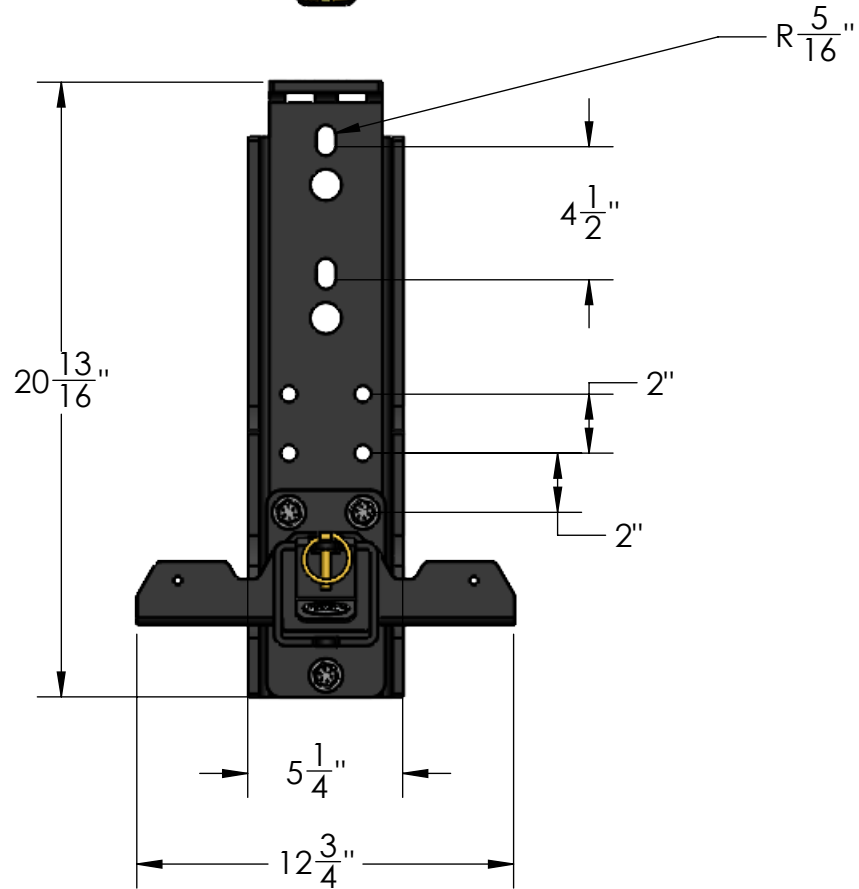
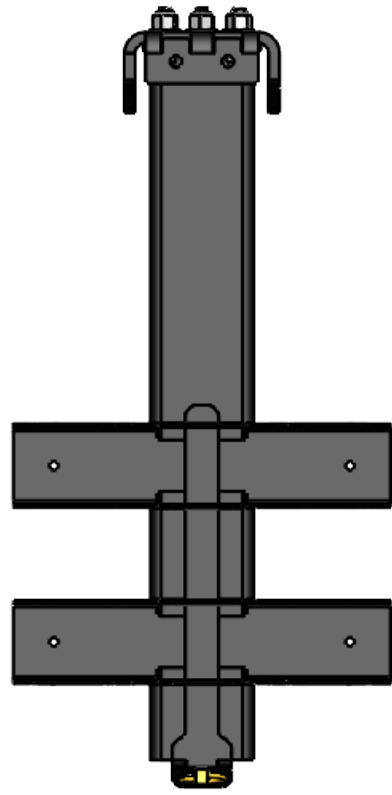


DIMENSIONS



UNLESS OTHERWISE SPECIFIED		NAME	DATE	inventive-group One Company, 4 Brands	
TOLERANCES: ANGULAR: BEND ± 0.3° FRACTIONAL ± 1/16" TWO PLACE DECIMAL ± 0.020" THREE PLACE DECIMAL ± 0.010" GD&T ASME Y14.5-2018		DRAWN	WU		
TOP LEVEL ASSEMBLY P/N		ENG APPR.		PROPRIETARY AND CONFIDENTIAL THE INFORMATION CONTAINED IN THIS DRAWING IS THE SOLE PROPERTY OF INVENTIVE GROUP LLC. ANY REPRODUCTION IN PART OR AS A WHOLE WITHOUT THE WRITTEN PERMISSION OF INVENTIVE GROUP LLC. IS PROHIBITED.	
MATERIAL	VARIES			SIZE	PART NUMBER:
FINISH	VARIES	WEIGHT	27420.53 LBS	B	ITD25052
		SURFACE AREA	152295.34 SQ IN	SCALE: 1:8	DO NOT SCALE DRAWING
				SHEET 1 OF 2	REV

4

3

2

1

REPLACEMENT PARTS

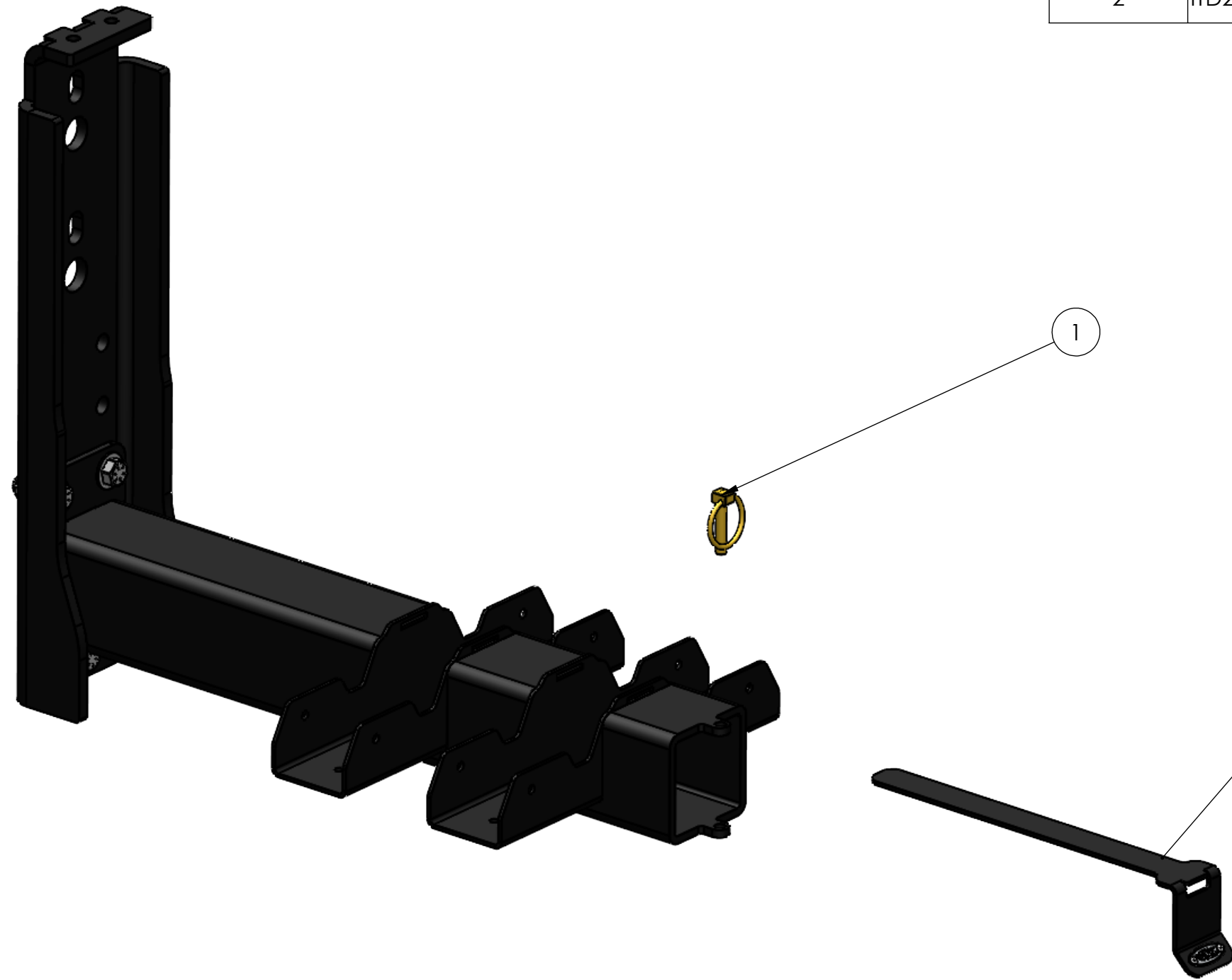
ITEM NO.	PART NUMBER	DESCRIPTION	QTY.
1	ITD7099	REPLACEMENT 5/16" LYNCH PIN	1
2	ITD25071	REPLACEMENT LOCKPIN FOR ITD25052	1

B

B

A

A



UNLESS OTHERWISE SPECIFIED		NAME	DATE	inventive-group One Company, 4 Brands		
TOLERANCES:		DRAWN	WU			
ANGULAR:	BEND ± 0.3°	ENG APPR.		TITLE: TUBE DOLLY MOUNT		
FRACTIONAL	± 1/16"					
TWO PLACE DECIMAL	± 0.020"					
THREE PLACE DECIMAL	± 0.010"	PROPRIETARY AND CONFIDENTIAL				
GD&T ASME Y14.5-2018		THE INFORMATION CONTAINED IN THIS DRAWING IS THE SOLE PROPERTY OF INVENTIVE GROUP LLC. ANY REPRODUCTION IN PART OR AS A WHOLE WITHOUT THE WRITTEN PERMISSION OF INVENTIVE GROUP LLC. IS PROHIBITED.		SIZE	PART NUMBER:	REV
TOP LEVEL ASSEMBLY P/N				B	ITD25052	
MATERIAL	VARIES	WEIGHT	27420.53 LBS	SCALE: 1:8		DO NOT SCALE DRAWING
FINISH	VARIES	SURFACE AREA	152295.34 SQ IN	SHEET 2 OF 2		

4

3

2

1