

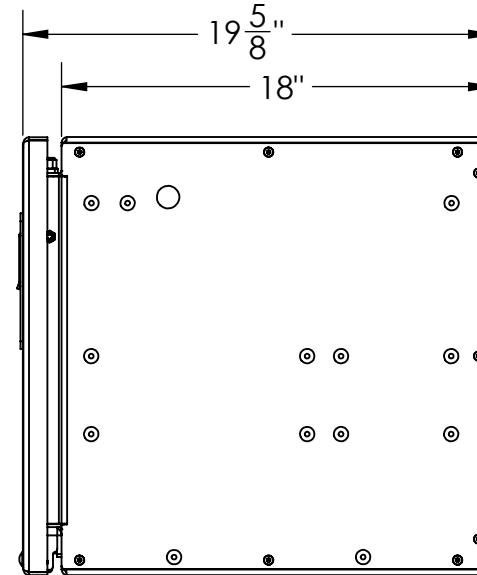
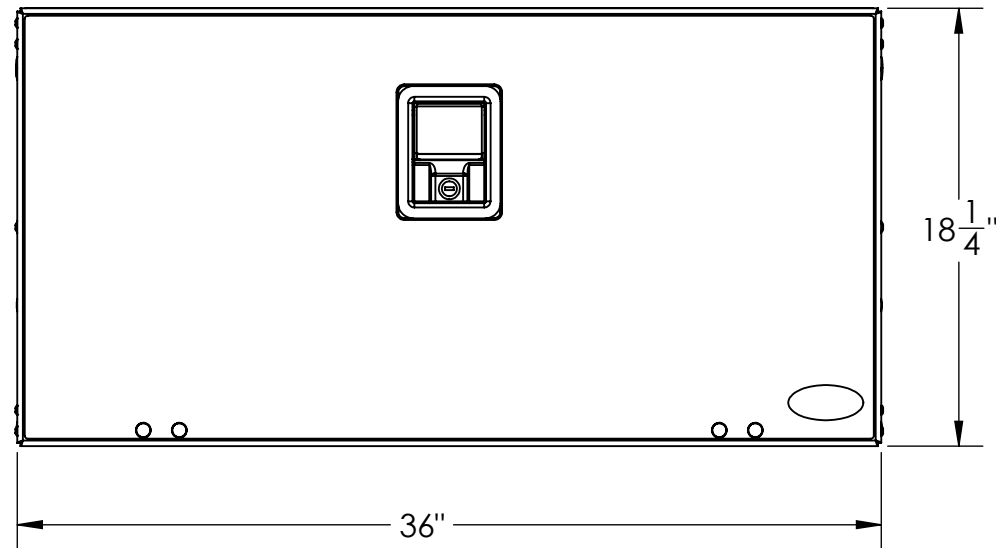
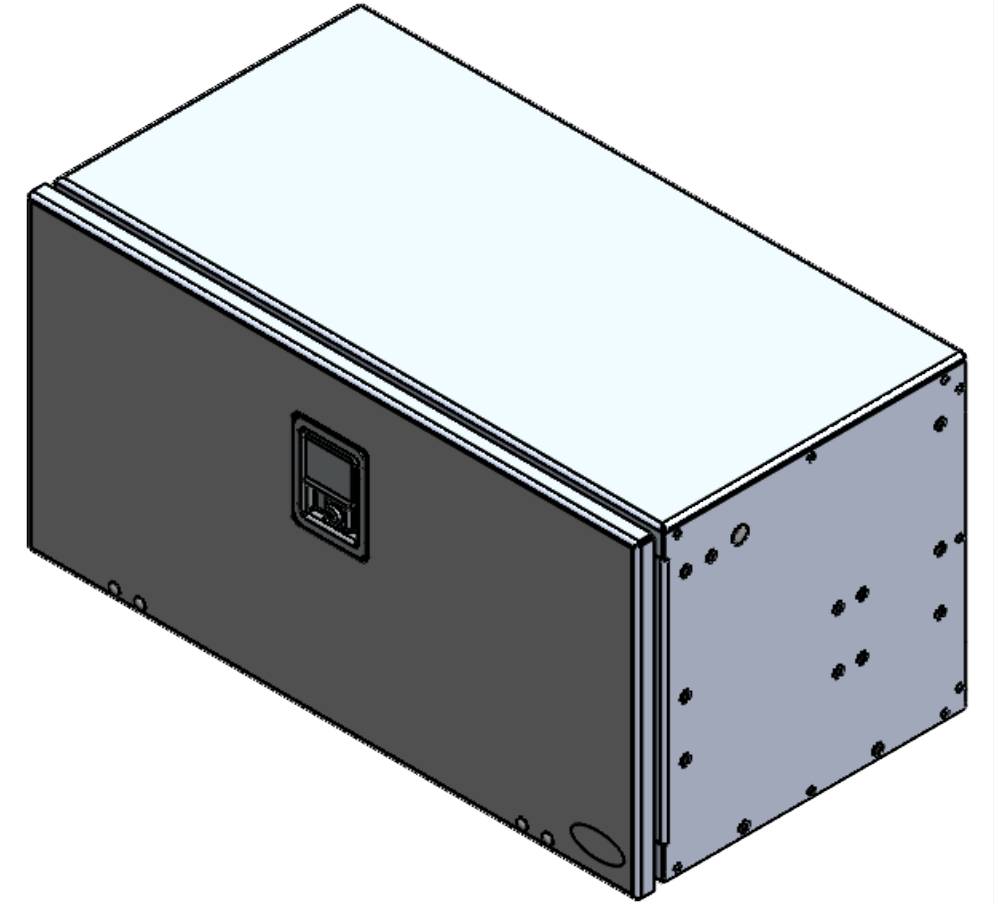
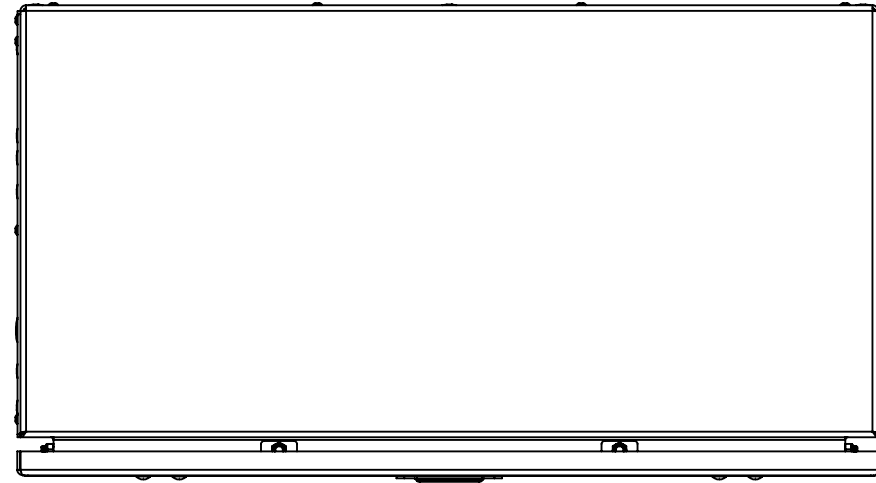
4

3

2

1

CLOSED DIMENSIONS



UNLESS OTHERWISE SPECIFIED		NAME	DATE	inventive-group One Company, 4 Brands
TOLERANCES: ANGULAR: BEND ± 0.3° FRACTIONAL ± 1/16" TWO PLACE DECIMAL ± 0.020" THREE PLACE DECIMAL ± 0.010"		DRAWN	AM	
GD&T ASME Y14.5-2018		ENG APPR.	AV	08/11/2023
TOP LEVEL ASSEMBLY P/N		PROPRIETARY AND CONFIDENTIAL THE INFORMATION CONTAINED IN THIS DRAWING IS THE SOLE PROPERTY OF INVENTIVE GROUP LLC. ANY REPRODUCTION IN PART OR AS A WHOLE WITHOUT THE WRITTEN PERMISSION OF INVENTIVE GROUP LLC. IS PROHIBITED.		
ITD3536		TITLE:		
MATERIAL		36" POWER LOCK REMOTE LOCKING TOOLBOX		
VARIES		SIZE	PART NUMBER:	REV
FINISH		B	ITD3536	A
N/A		WEIGHT	60.39 LBS	
		SURFACE AREA	10688.32 SQ IN	
		SCALE: 1:8	DO NOT SCALE DRAWING	SHEET 1 OF 2

4

3

2

1

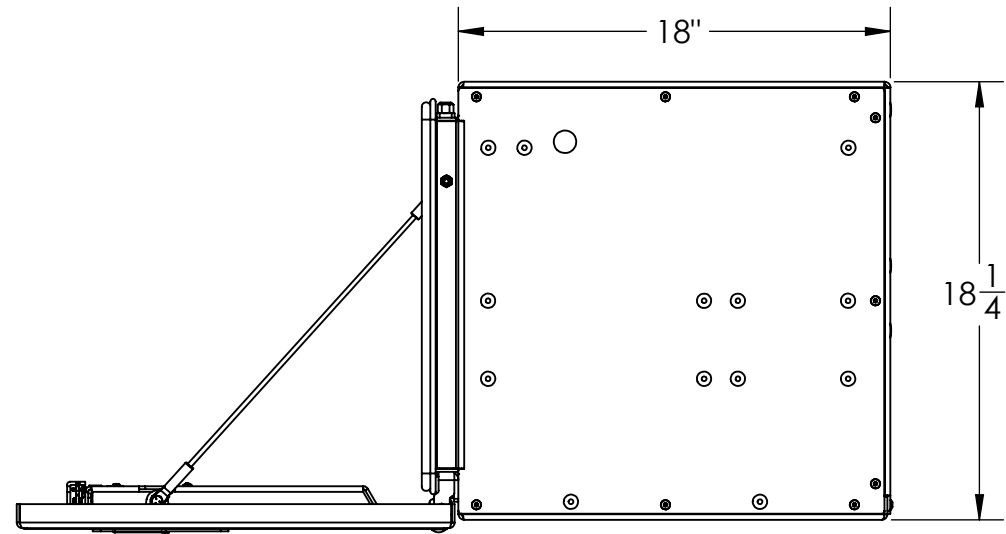
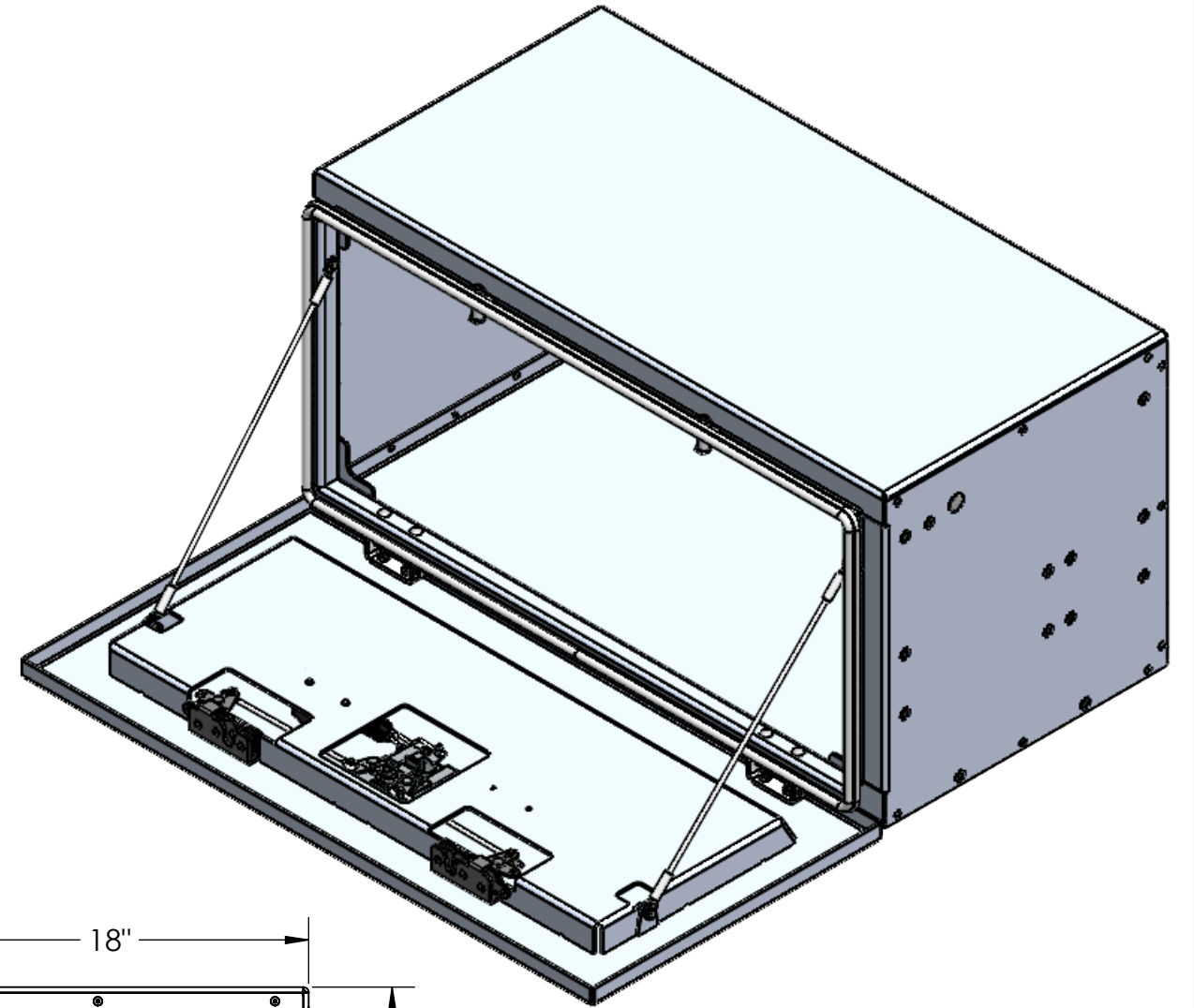
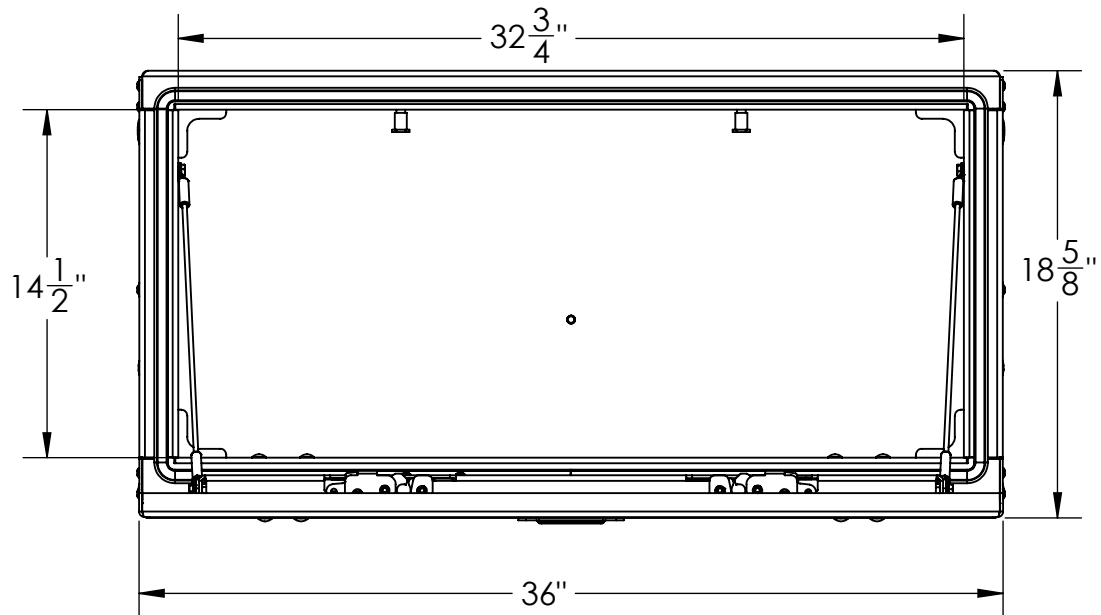
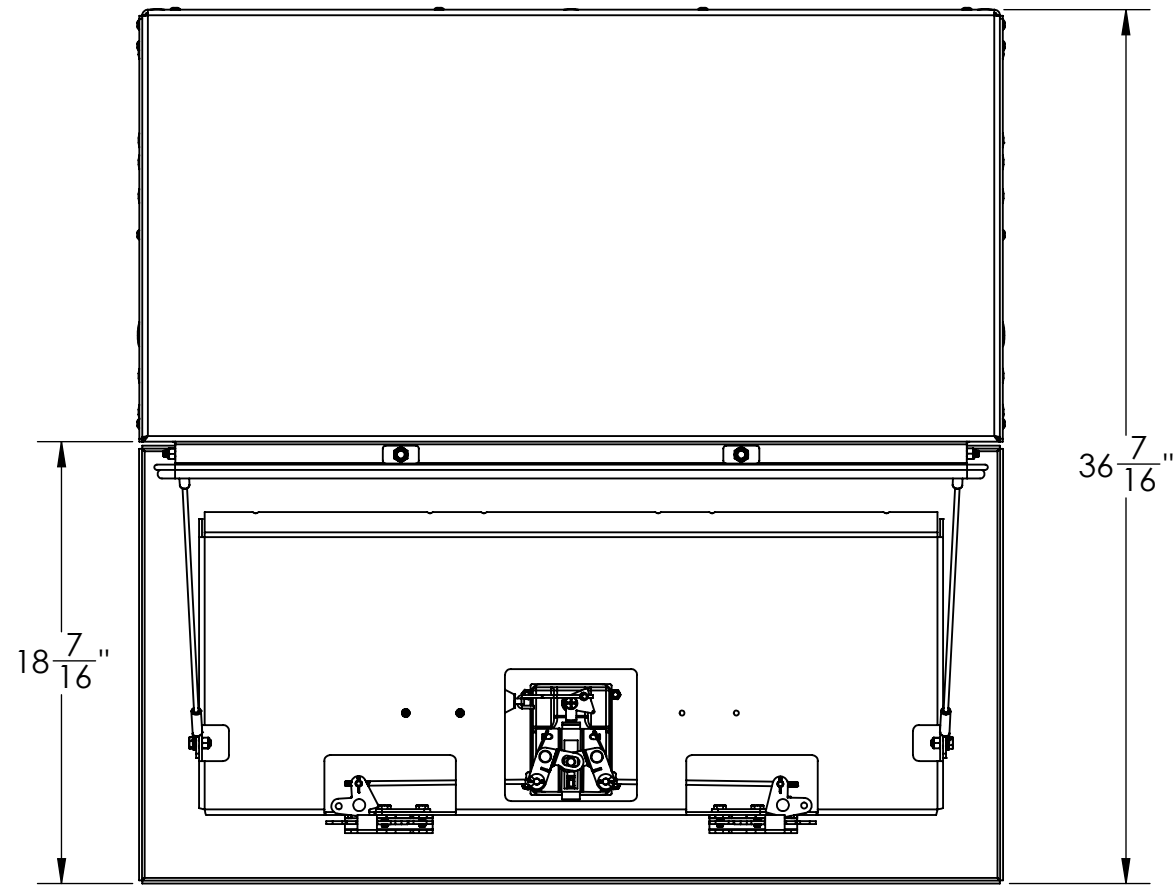
B

B

A

A

OPEN DIMENSIONS



UNLESS OTHERWISE SPECIFIED		NAME	DATE	inventive-group One Company, 4 Brands
TOLERANCES:		DRAWN	AM 08/11/2023	
ANGULAR:	BEND $\pm 0.3^\circ$	ENG APPR.	AV 08/11/2023	TITLE:
FRACTIONAL	$\pm 1/16"$	PROPRIETARY AND CONFIDENTIAL THE INFORMATION CONTAINED IN THIS DRAWING IS THE SOLE PROPERTY OF INVENTIVE GROUP LLC. ANY REPRODUCTION IN PART OR AS A WHOLE WITHOUT THE WRITTEN PERMISSION OF INVENTIVE GROUP LLC. IS PROHIBITED.		36" POWER LOCK REMOTE LOCKING TOOLBOX
TWO PLACE DECIMAL	$\pm 0.020"$			SIZE
THREE PLACE DECIMAL	$\pm 0.010"$	B	ITD3536	A
GD&T ASME Y14.5-2018		WEIGHT	60.39 LBS	SCALE: 1:8
TOP LEVEL ASSEMBLY P/N	ITD3536	SURFACE AREA	10688.32 SQ IN	DO NOT SCALE DRAWING
MATERIAL	VARIES			SHEET 2 OF 2
FINISH	N/A			

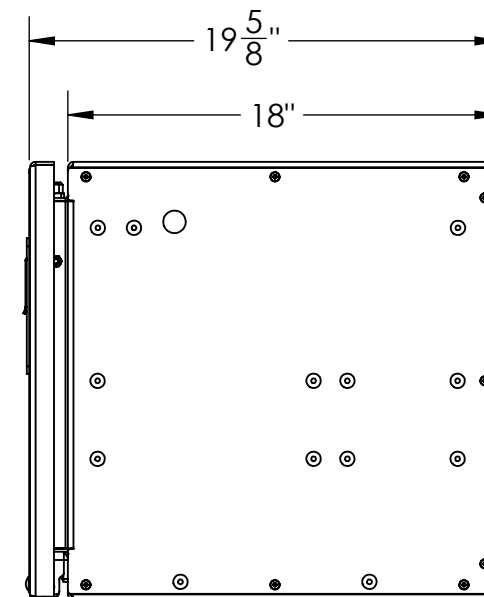
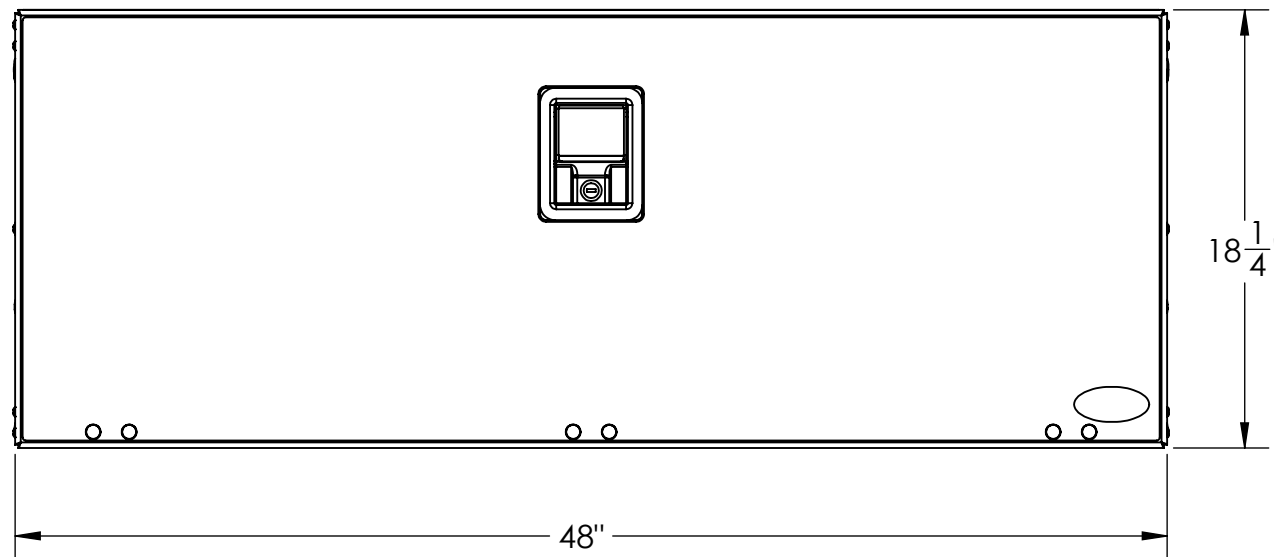
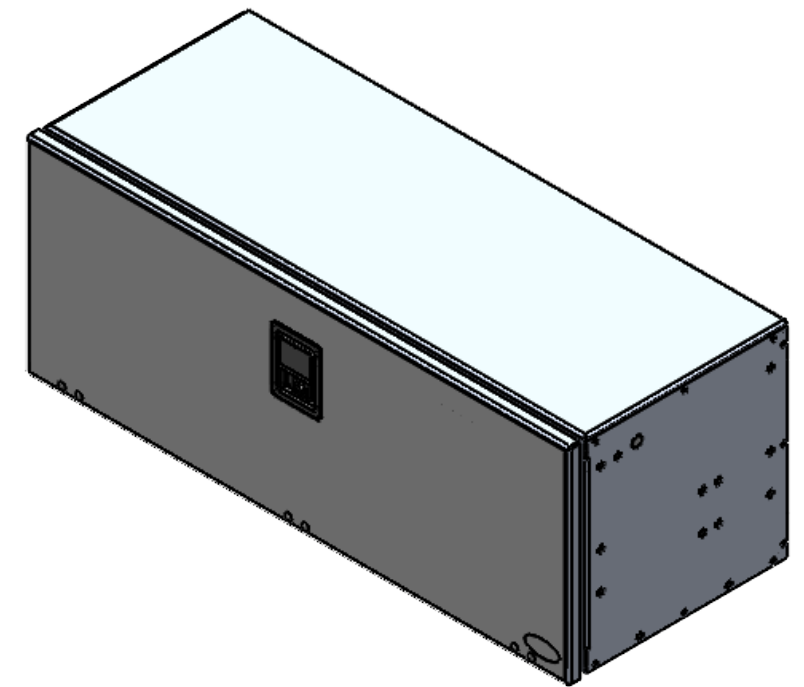
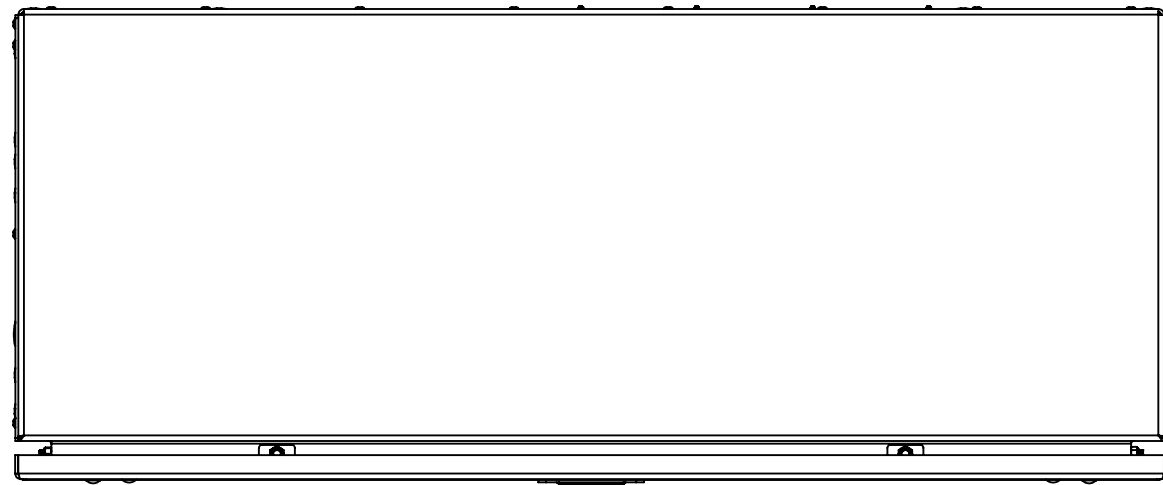
4

3

2

1

CLOSED DIMENSIONS



UNLESS OTHERWISE SPECIFIED		NAME	DATE	inventive-group One Company, 4 Brands
TOLERANCES:		DRAWN	AM 08/10/2023	
ANGULAR:	BEND ± 0.3°	ENG APPR.	AV 08/11/2023	TITLE: 48" POWER LOCK REMOTE LOCKING TOOLBOX
FRACTIONAL	± 1/16"			
TWO PLACE DECIMAL	± 0.020"			
THREE PLACE DECIMAL	± 0.010"	PROPRIETARY AND CONFIDENTIAL		SIZE
GD&T ASME Y14.5-2018		THE INFORMATION CONTAINED IN THIS DRAWING IS THE SOLE PROPERTY OF INVENTIVE GROUP LLC. ANY REPRODUCTION IN PART OR AS A WHOLE WITHOUT THE WRITTEN PERMISSION OF INVENTIVE GROUP LLC. IS PROHIBITED.		PART NUMBER:
TOP LEVEL ASSEMBLY P/N		ITD3548		REV
MATERIAL		VARIES		A
FINISH		VARIES		SCALE: 1:12
		WEIGHT	76.31 LBS	DO NOT SCALE DRAWING
		SURFACE AREA	13604.64 SQ IN	SHEET 1 OF 2

4

3

2

1

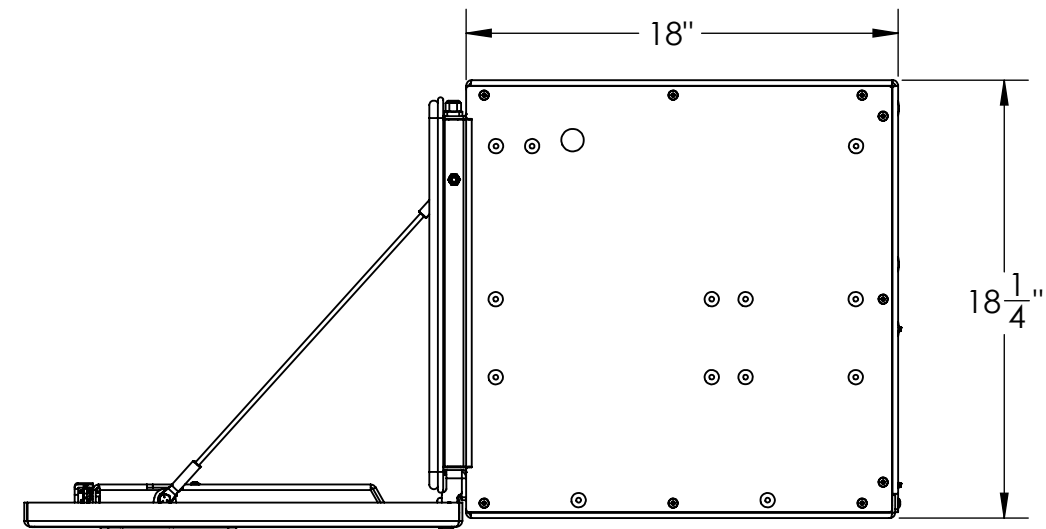
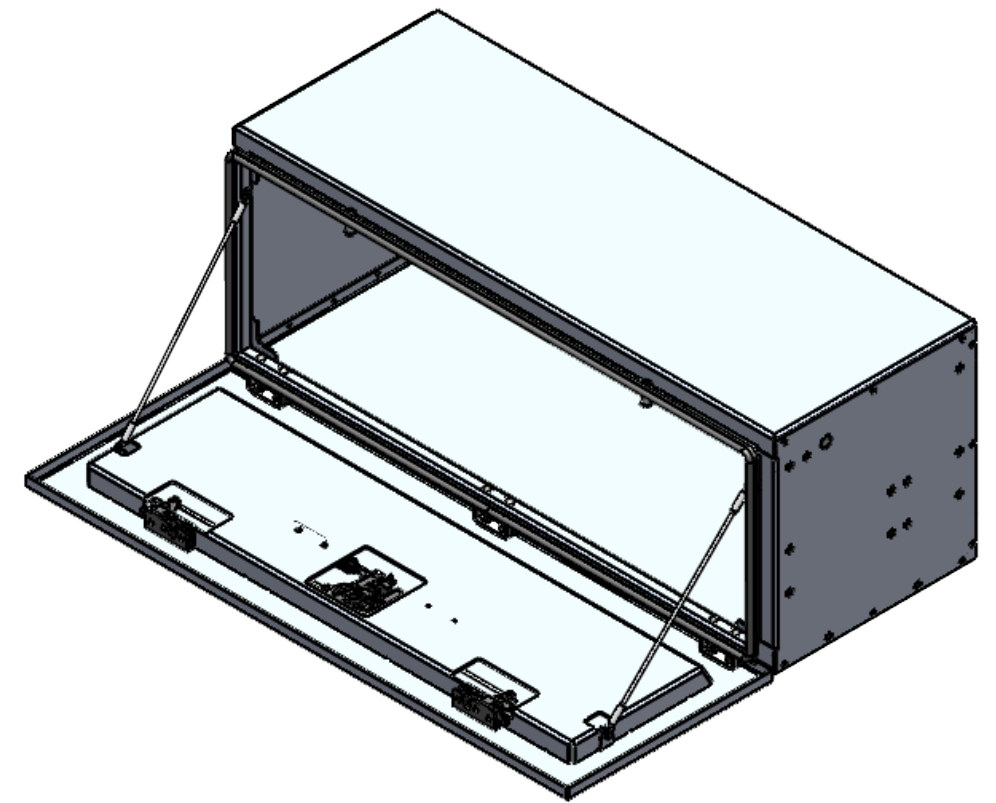
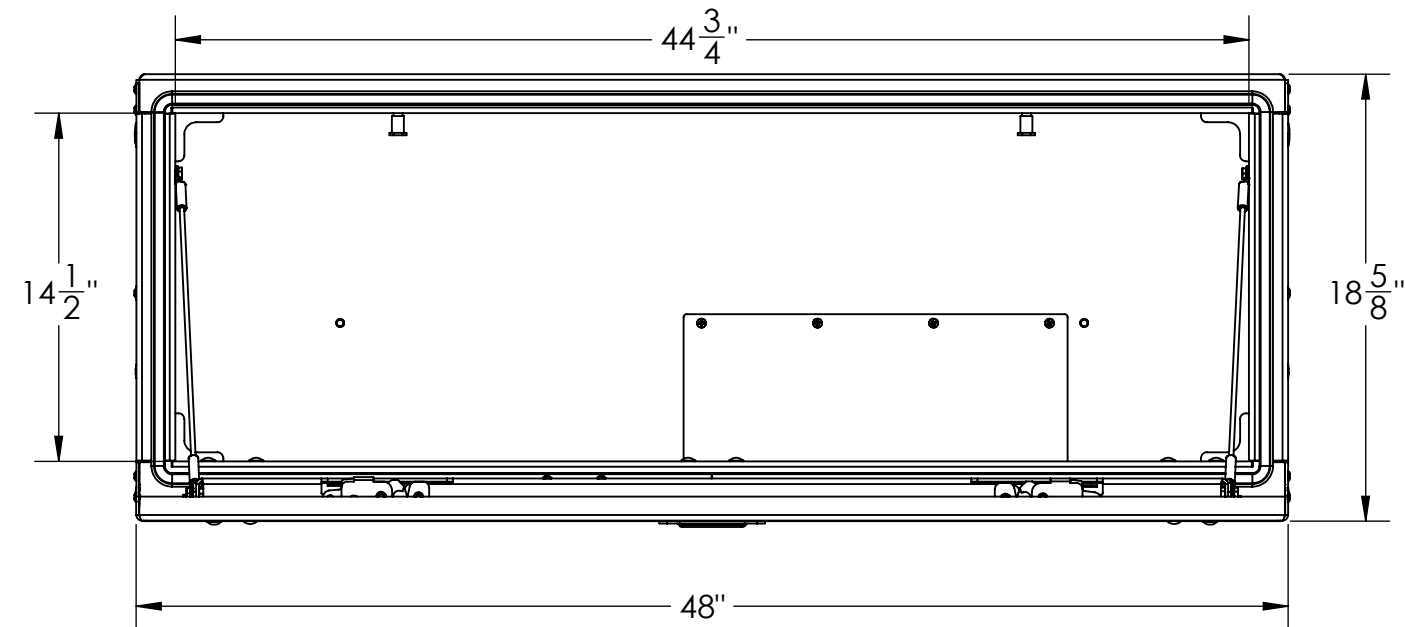
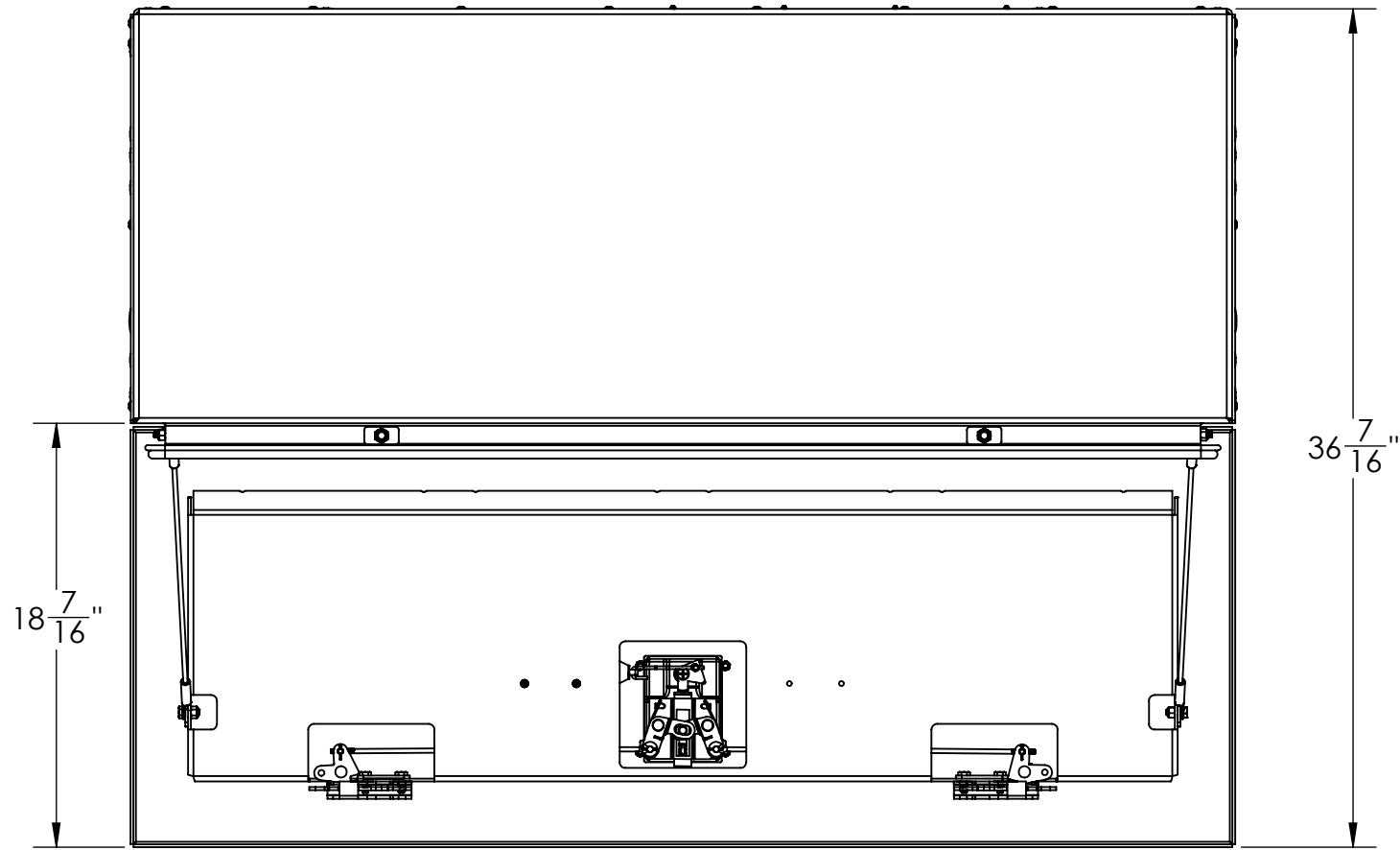
B

B

A

A

OPEN DIMENSIONS



UNLESS OTHERWISE SPECIFIED		NAME	DATE	 One Company, 4 Brands
TOLERANCES: ANGULAR: BEND ± 0.3° FRACTIONAL ± 1/16" TWO PLACE DECIMAL ± 0.020" THREE PLACE DECIMAL ± 0.010"		DRAWN	AM 08/10/2023	
GD&T ASME Y14.5-2018		PROPRIETARY AND CONFIDENTIAL THE INFORMATION CONTAINED IN THIS DRAWING IS THE SOLE PROPERTY OF INVENTIVE GROUP LLC. ANY REPRODUCTION IN PART OR AS A WHOLE WITHOUT THE WRITTEN PERMISSION OF INVENTIVE GROUP LLC. IS PROHIBITED.		TITLE:
TOP LEVEL ASSEMBLY P/N		ENG APPR. AV 08/11/2023		48" POWER LOCK REMOTE LOCKING TOOLBOX
MATERIAL	VARIES	WEIGHT	76.31 LBS	SIZE
FINISH	VARIES	SURFACE AREA	13604.64 SQ IN	PART NUMBER: B ITD3548
				REV
				A
				SCALE: 1:12
				DO NOT SCALE DRAWING
				SHEET 2 OF 2

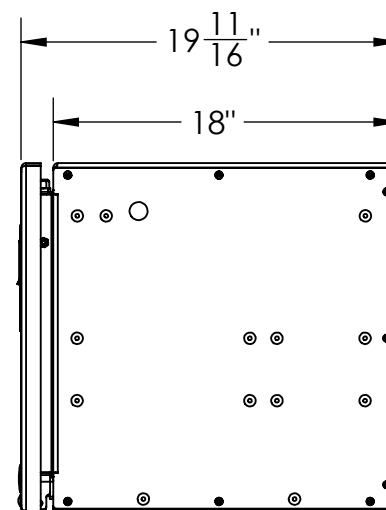
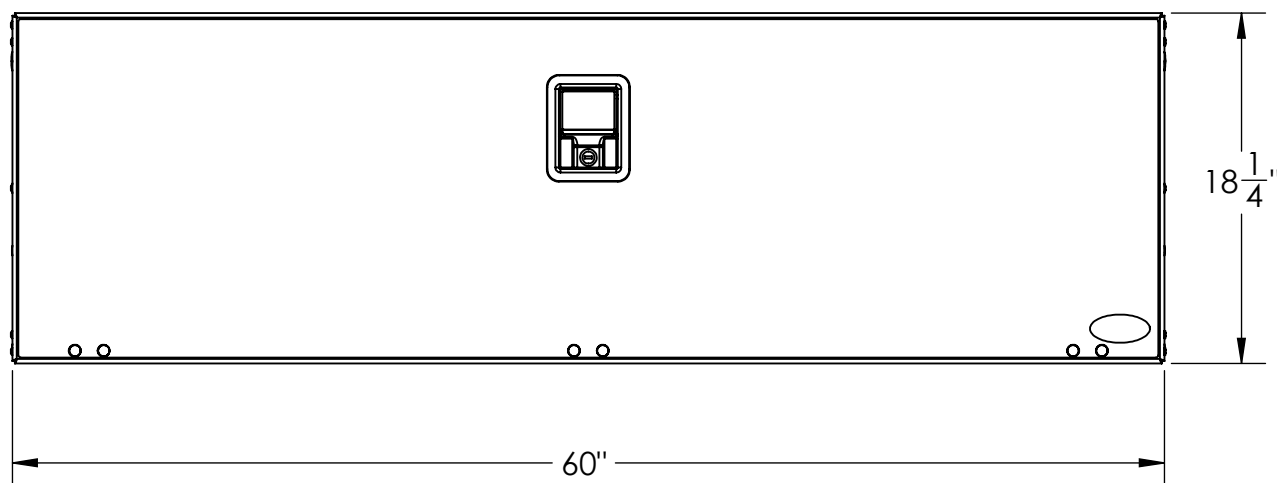
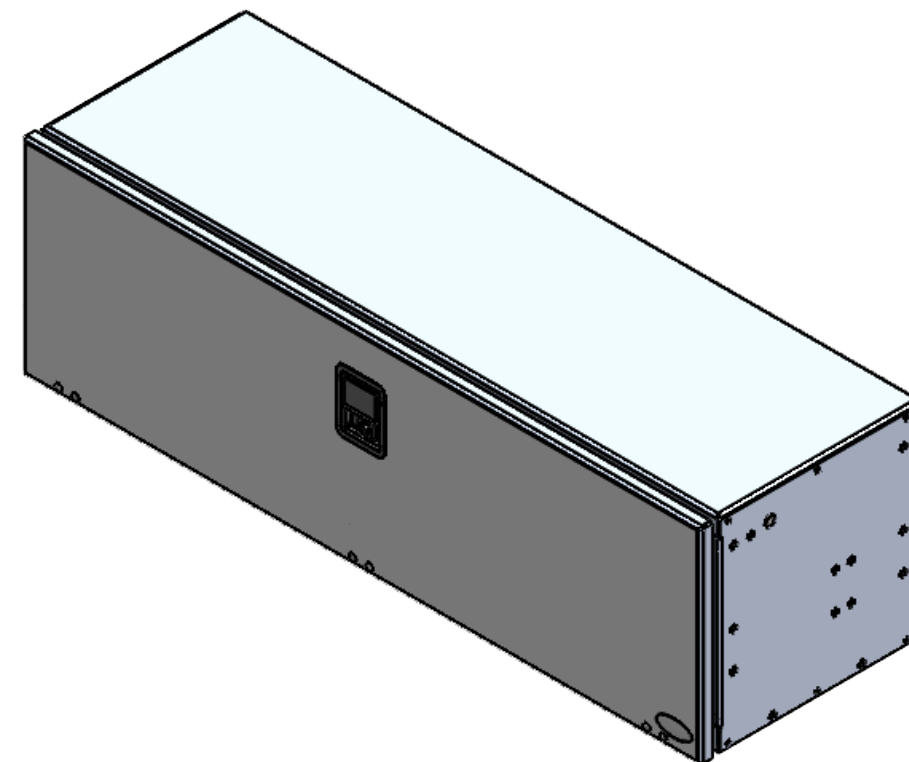
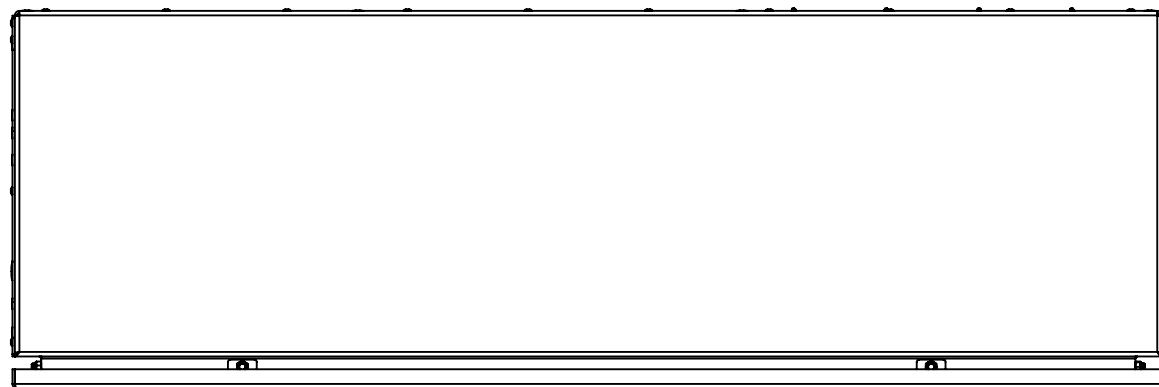
4

3

2

1

CLOSED DIMENSIONS



UNLESS OTHERWISE SPECIFIED		NAME	DATE	inventive-group One Company, 4 Brands
TOLERANCES:		DRAWN	AM 08/09/2023	
ANGULAR:	BEND ± 0.3°	ENG APPR.	AV 08/09/2023	TITLE: 60" POWER LOCK REMOTE LOCKING TOOLBOX
FRACTIONAL	± 1/16"	PROPRIETARY AND CONFIDENTIAL		
TWO PLACE DECIMAL	± 0.020"	THE INFORMATION CONTAINED IN THIS DRAWING IS THE SOLE PROPERTY OF INVENTIVE GROUP LLC. ANY REPRODUCTION IN PART OR AS A WHOLE WITHOUT THE WRITTEN PERMISSION OF INVENTIVE GROUP LLC. IS PROHIBITED.		SIZE
THREE PLACE DECIMAL	± 0.010"	MATERIAL		PART NUMBER:
GD&T ASME Y14.5-2018		FINISH		REV
TOP LEVEL ASSEMBLY P/N		WEIGHT		92.73 LBS
ITD3660		SURFACE AREA		16425.43 SQ IN
MATERIAL		SCALE: 1:12		DO NOT SCALE DRAWING
VARIES		SCALE: 1:12		SHEET 1 OF 2
N/A		SCALE: 1:12		SHEET 1 OF 2

4

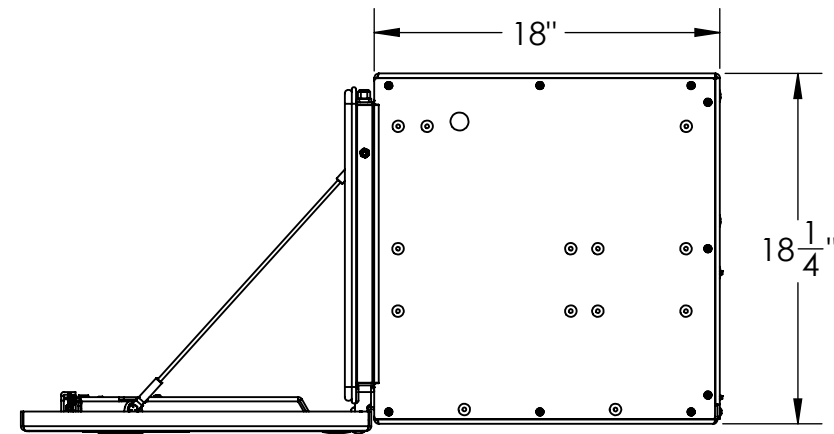
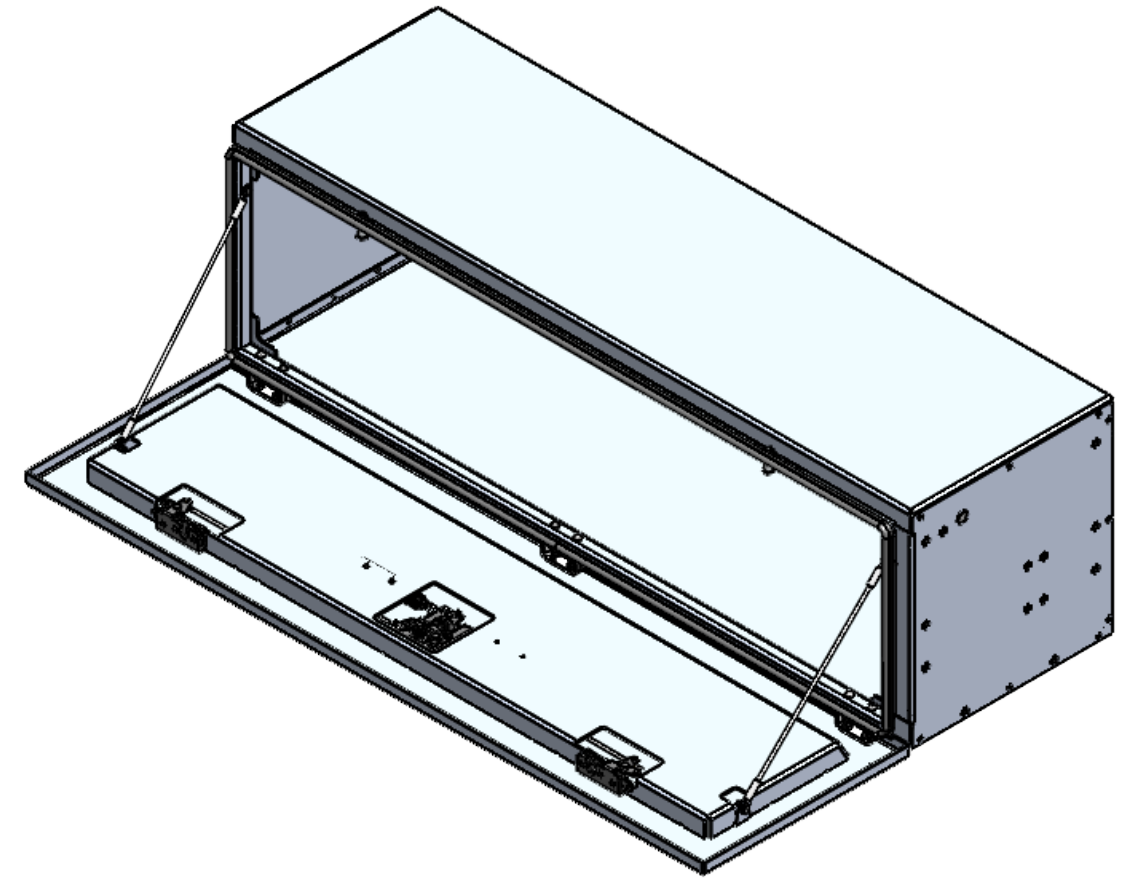
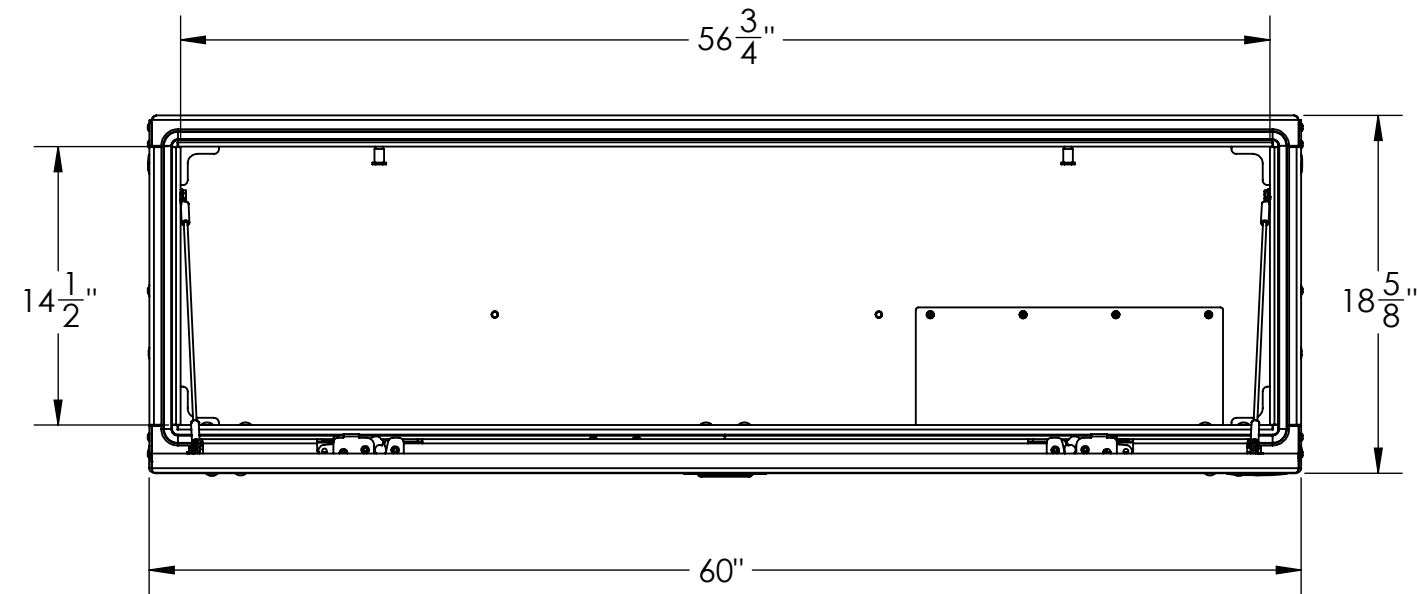
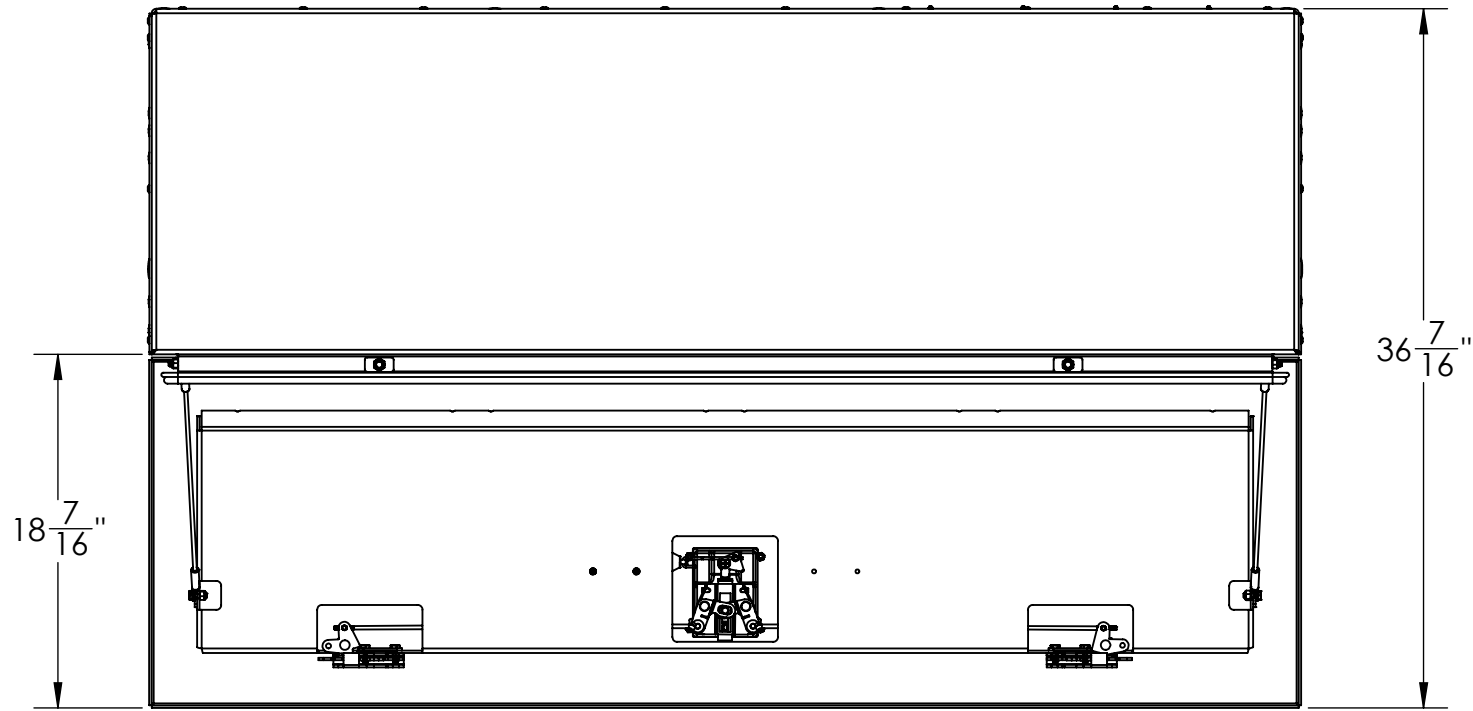
3

2

1

SIZE	PART NUMBER:	REV
B	ITD3660	A
SCALE: 1:12	DO NOT SCALE DRAWING	SHEET 1 OF 2

OPEN DIMENSIONS



UNLESS OTHERWISE SPECIFIED		NAME	DATE	inventive-group One Company, 4 Brands
TOLERANCES: ANGULAR: BEND ± 0.3° FRACTIONAL ± 1/16" TWO PLACE DECIMAL ± 0.020" THREE PLACE DECIMAL ± 0.010"		DRAWN	AM	
GD&T ASME Y14.5-2018		PROPRIETARY AND CONFIDENTIAL THE INFORMATION CONTAINED IN THIS DRAWING IS THE SOLE PROPERTY OF INVENTIVE GROUP LLC. ANY REPRODUCTION IN PART OR AS A WHOLE WITHOUT THE WRITTEN PERMISSION OF INVENTIVE GROUP LLC. IS PROHIBITED.		TITLE:
TOP LEVEL ASSEMBLY P/N		ENG APPR.	AV	08/09/2023
ITD3660				60" POWER LOCK REMOTE LOCKING TOOLBOX
MATERIAL	VARIES	WEIGHT		92.79 LBS
FINISH	N/A	SURFACE AREA		16454.04 SQ IN
		SIZE	PART NUMBER:	REV
		B	ITD3660	A
		SCALE: 1:12	DO NOT SCALE DRAWING	SHEET 2 OF 2

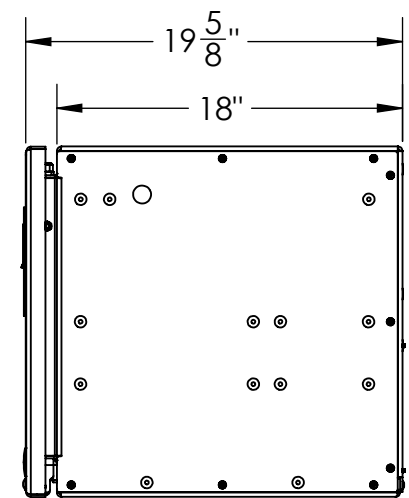
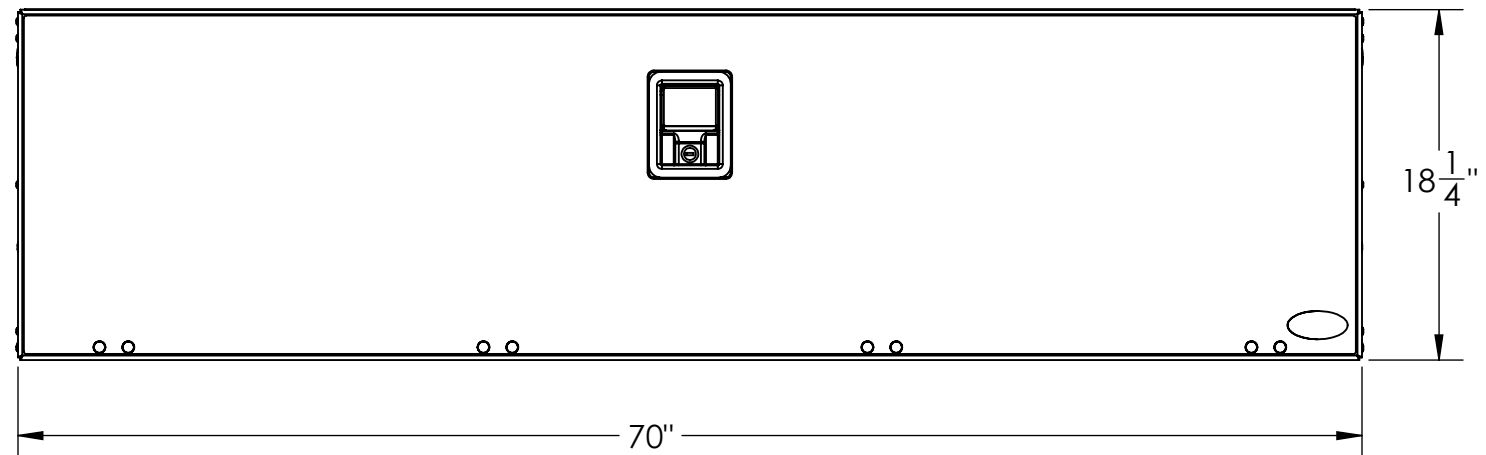
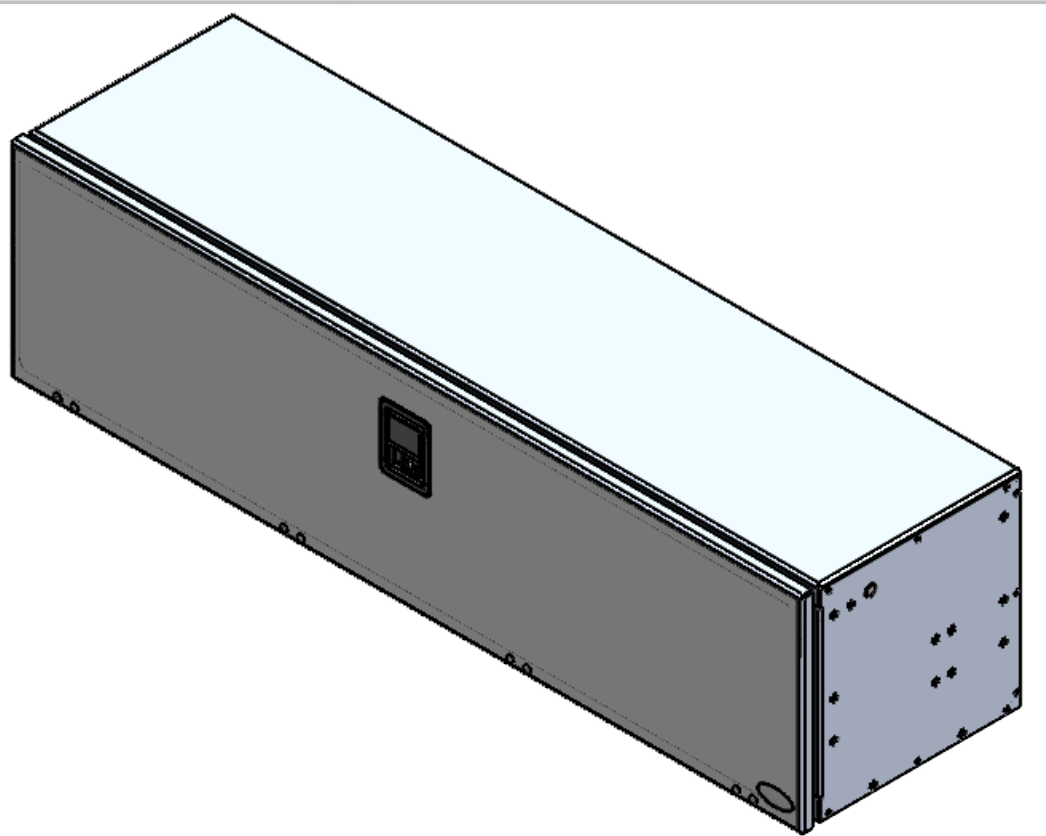
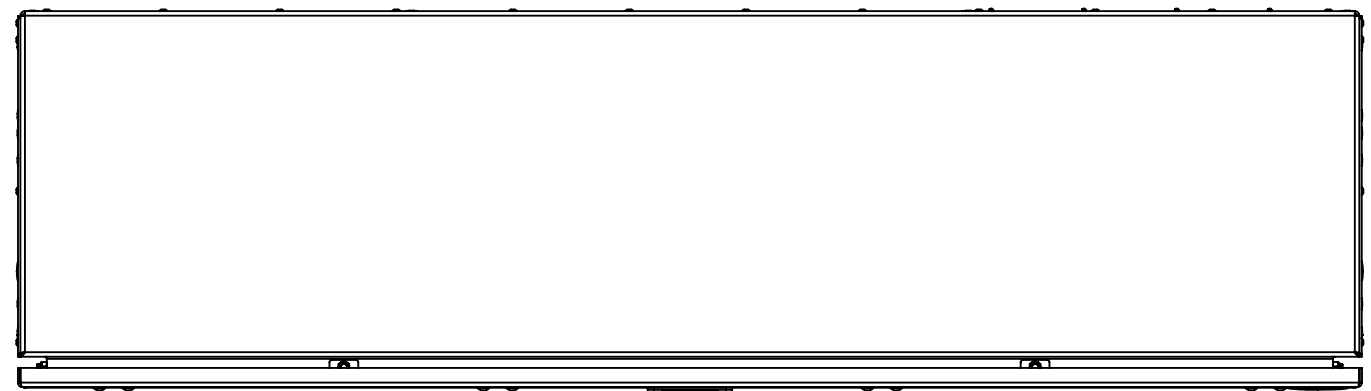
4

3

2

1

CLOSED DIMENSIONS



B

B

A

A

4

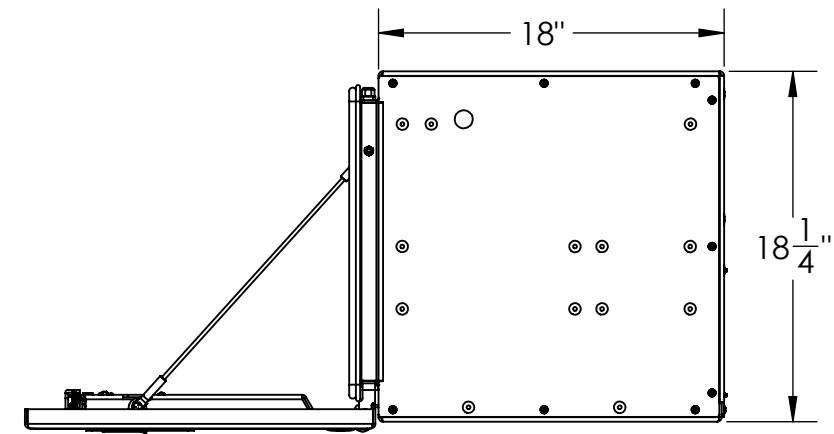
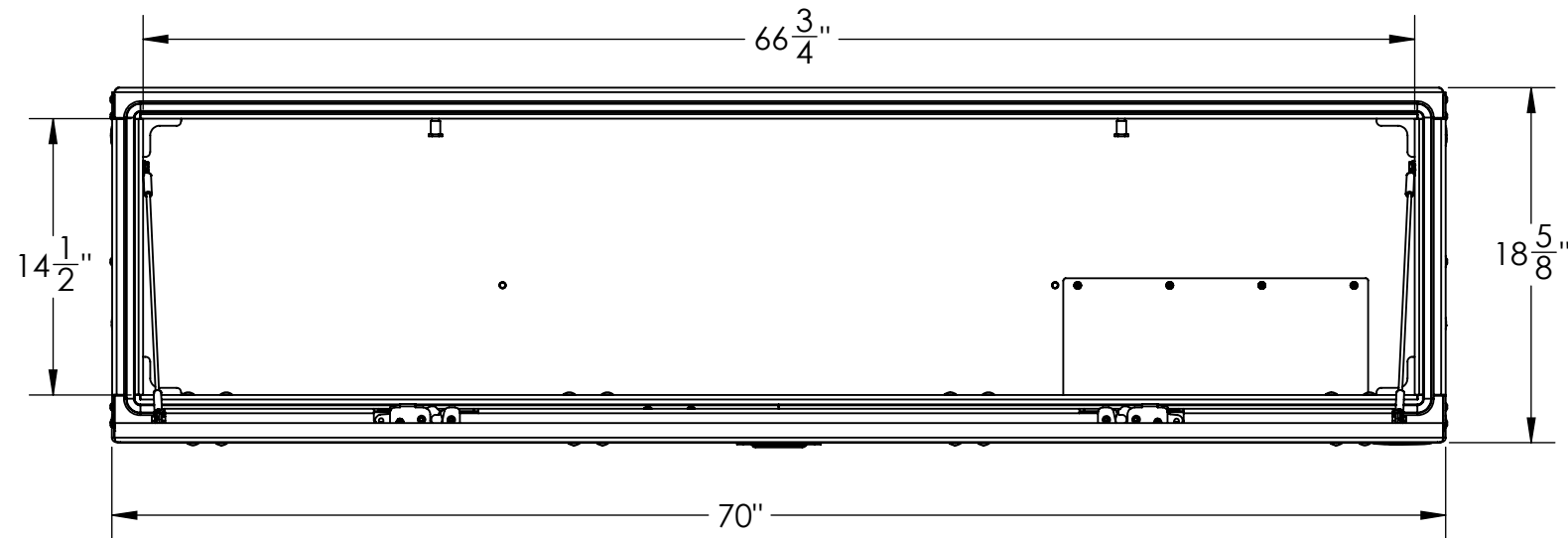
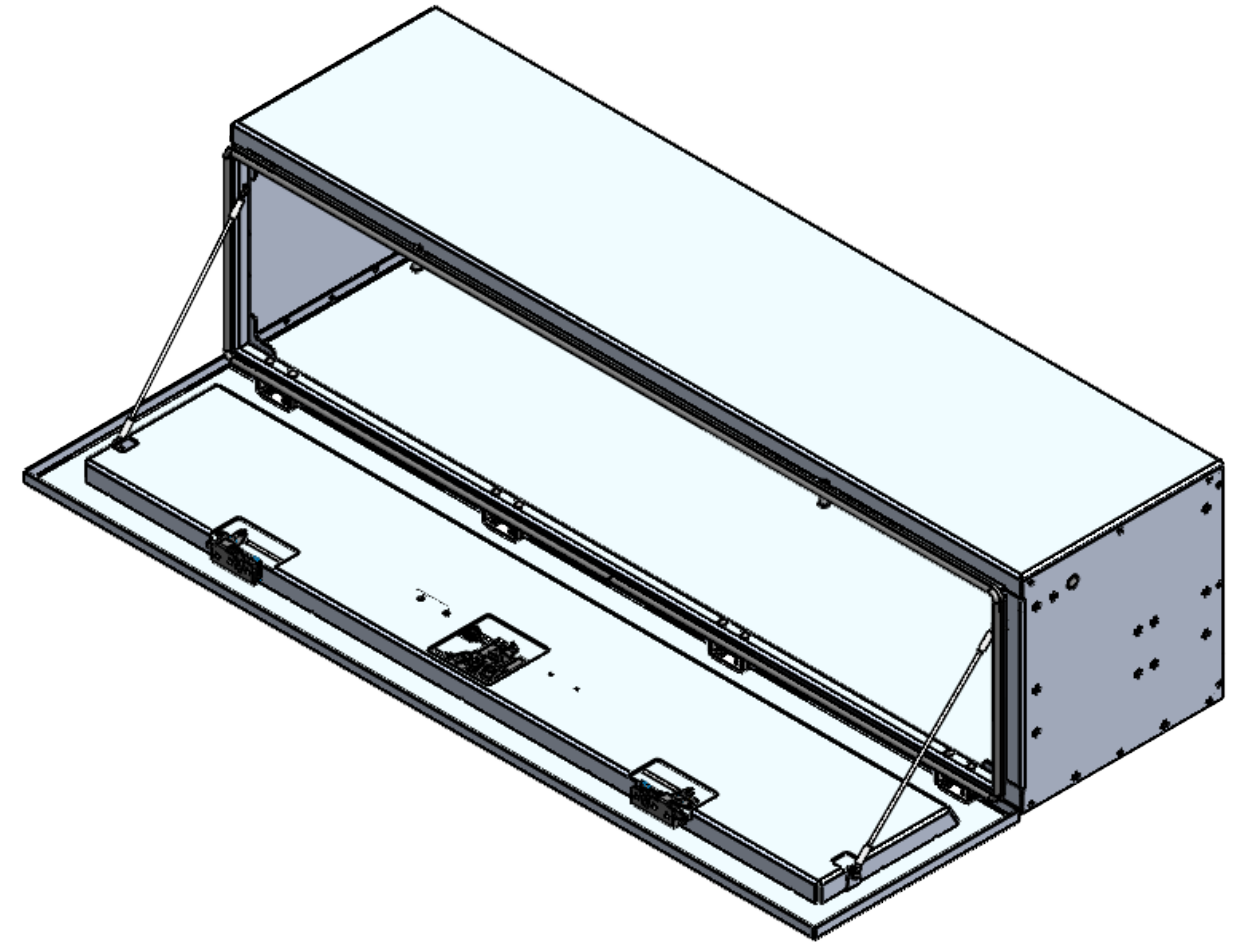
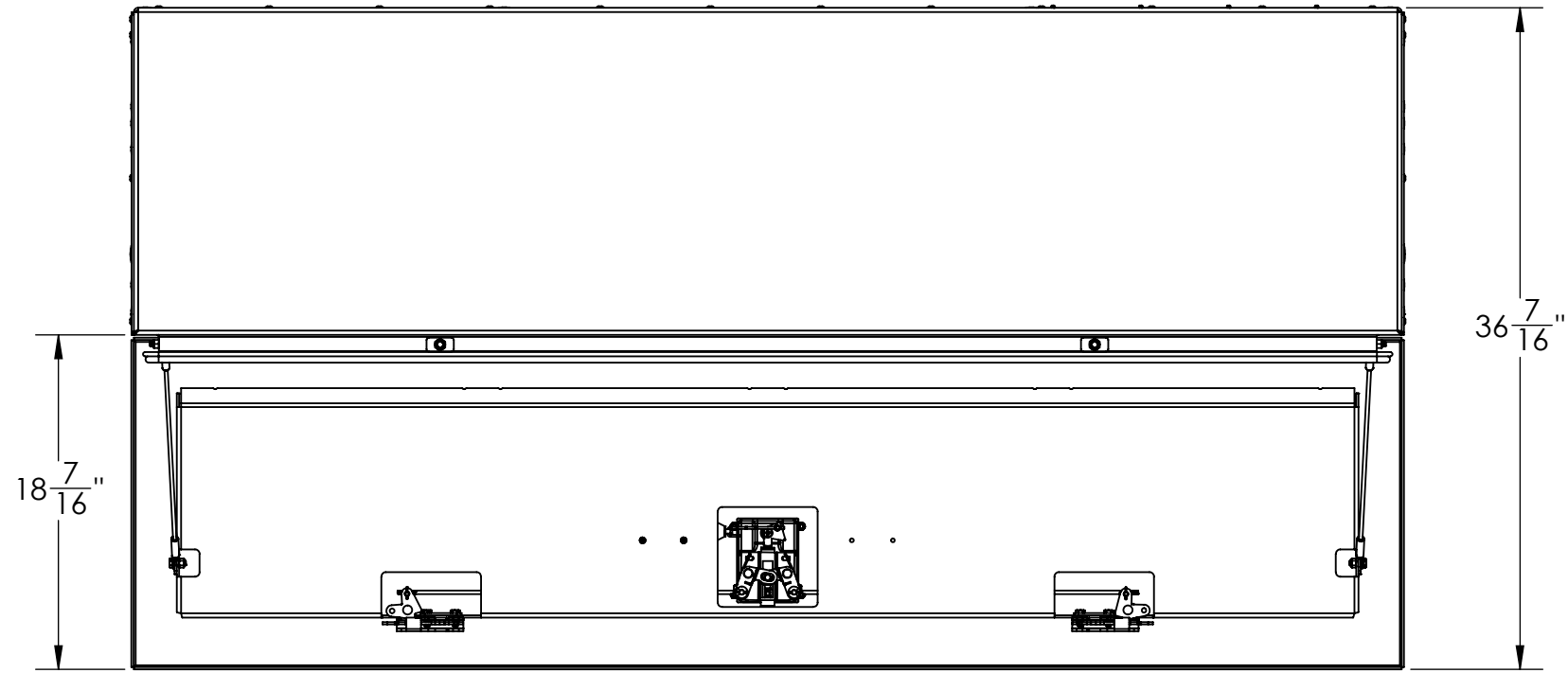
3

2

1

UNLESS OTHERWISE SPECIFIED		NAME	DATE	inventive-group One Company, 4 Brands		
TOLERANCES:		DRAWN	AM 08/08/2023			
ANGULAR:	BEND ± 0.3°	ENG APPR.	AV 08/08/2023	TITLE: 70" PRO SERIES UNDERBODY TOOLBOX		
FRACTIONAL	± 1/16"					
TWO PLACE DECIMAL	± 0.020"					
THREE PLACE DECIMAL	± 0.010"	PROPRIETARY AND CONFIDENTIAL				
GD&T ASME Y14.5-2018		THE INFORMATION CONTAINED IN THIS DRAWING IS THE SOLE PROPERTY OF INVENTIVE GROUP LLC. ANY REPRODUCTION IN PART OR AS A WHOLE WITHOUT THE WRITTEN PERMISSION OF INVENTIVE GROUP LLC. IS PROHIBITED.		SIZE	PART NUMBER:	REV
TOP LEVEL ASSEMBLY P/N ITD3570				B	ITD3570	A
MATERIAL	5052 Aluminum	WEIGHT	106.37 LBS	SCALE: 1:12	DO NOT SCALE DRAWING	SHEET 1 OF 2
FINISH	N/A	SURFACE AREA	SQ IN			

OPEN DIMENSIONS



UNLESS OTHERWISE SPECIFIED		NAME	DATE	inventive-group One Company, 4 Brands			
TOLERANCES:		DRAWN	AM			08/08/2023	
ANGULAR:	BEND ± 0.3°	ENG APPR.	AV	08/08/2023	TITLE: 70" PRO SERIES UNDERBODY TOOLBOX		
FRACTIONAL	± 1/16"						
TWO PLACE DECIMAL	± 0.020"						
THREE PLACE DECIMAL	± 0.010"	PROPRIETARY AND CONFIDENTIAL THE INFORMATION CONTAINED IN THIS DRAWING IS THE SOLE PROPERTY OF INVENTIVE GROUP LLC. ANY REPRODUCTION IN PART OR AS A WHOLE WITHOUT THE WRITTEN PERMISSION OF INVENTIVE GROUP LLC. IS PROHIBITED.			SIZE B	PART NUMBER: ITD3570	REV A
GD&T ASME Y14.5-2018 TOP LEVEL ASSEMBLY P/N ITD3570		WEIGHT	106.37 LBS		SCALE: 1:12	DO NOT SCALE DRAWING	SHEET 2 OF 2
MATERIAL	5052 Aluminum	SURFACE AREA	SQ IN				
FINISH	N/A						