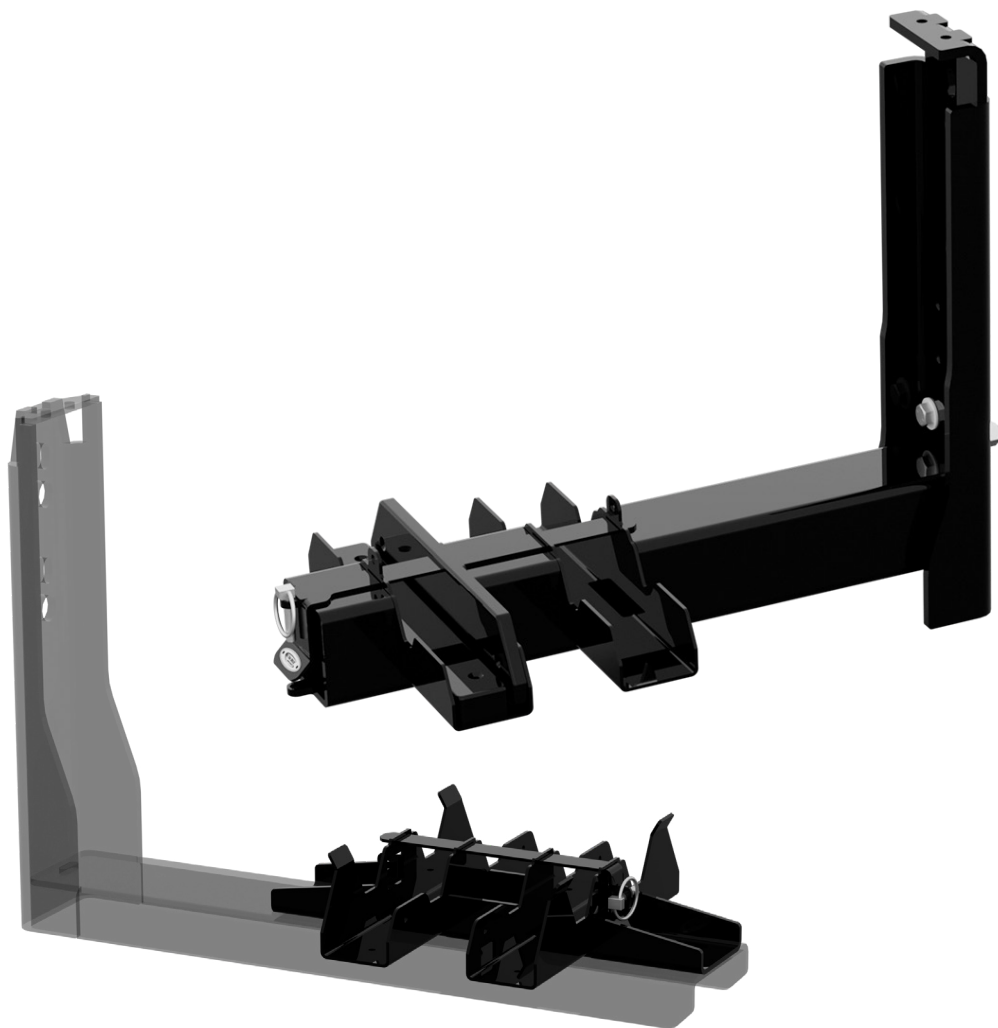




---

# **DOLLY QUICK MOUNT & CAR CARRIER DOLLY RACK CONFIGURATION AND INSTALLATION GUIDE**



**208-587-7960**  
**WWW.INTHEDITCH.COM**

# WARRANTY INFORMATION

## Limited Warranty

In The Ditch Towing Products (also referred to herein as ITD) warrants to the original purchaser that new ITD manufactured goods will be free from defects in material and workmanship for a period of twelve (12) months from the date placed in service. The purchaser must promptly notify ITD in writing of any failure in material or workmanship. In no event shall ITD accept such notification later than twelve (12) months from the date placed in service.

ITD's obligation under this warranty, statutory or otherwise, is limited to the repair or replacement at the ITD factory, or at a point designated by ITD, of such part or parts as shall appear upon inspection by ITD to be defective in material or workmanship. This warranty is not transferable. This warranty does not obligate ITD to bear the cost of labor or transportation charges in connection with the repair or replacement of any part(s) found to be defective, nor shall it apply to a product upon which repairs or alterations have been made unless such repairs or alterations were authorized by ITD.

Except as expressly set forth in this warranty, ITD makes no other warranty, express or implied, and hereby disclaims all other warranties including, but not limited to, the implied warranties of merchantability and fitness for a particular purpose. ITD shall in no event be liable for any claims for downtime, loss of profits or goodwill, or any claims for other special, incidental, indirect, or consequential damages concerning or relating to any product or parts, whether based on negligence, strict liability, breach of contract, breach of warranty, misrepresentation, or any other legal theory, regardless of whether the loss resulted from any general or particular requirement which ITD knew or had reason to know about at the time of sale.

ITD makes no warranty, express or implied, as to the finished products manufactured or supplied by another manufacturer and supplied by ITD to purchaser, including, but not limited to, any vehicle to which an ITD product may be affixed or any accessories, and ITD expressly disclaims any implied warranties of merchantability and fitness for a particular purpose as to such equipment or products. This language shall in no way affect or diminish the rights of the purchaser to rely on such warranties as are extended by such manufacturers or suppliers. ITD shall, to the extent permitted under applicable law, pass on to the purchaser such manufacturer's or seller's warranty.

The customer must obtain and present a written authorization number from ITD prior to any work beginning, and the customer agrees to bear all costs. Please note: Merchandise covered by a manufacturer's warranty must be sent directly to the manufacturer for replacement or repair. ITD, whose policy is one of continuous improvement, reserves the right to improve its products through changes in design or materials as it may deem desirable without being obligated to incorporate such changes in any products previously sold.

This warranty is not intended to cover and shall not apply or include the following items, which are set forth by way of example only: normal deterioration of trim, paint, lettering, appearance of items due to wear or exposure to weather, road conditions, road treatments, etc.; any damage or defect due to accident, misuse, abuse, operation exceeding rated loads, improper or unauthorized repairs, failure to provide reasonable and necessary maintenance, or uses in respect of which the equipment was not designed or intended; alterations or modifications that affect performance, operations, or reliability.

It is expressly understood that ITD makes no implied or express warranty that ITD manufactured goods shall be fit for the purpose of lifting or moving people or for any other improper use. Field modification of this unit without the advice and written consent of the ITD Engineering Department will void all warranties and any guarantees pertaining to both purchased components used in the manufacture of this unit, as well as structurally fabricated parts supplied by ITD. Use of other than factory or factory authorized parts will render the warranty void.

## Notice to Owner or User

It is very important that you properly fill out your product registration form at <https://intheditch.com/product-registration/> to register your equipment. By submitting the information within 15 days of your purchase, your warranty will be validated, ensuring that your equipment will be protected subject to the terms and conditions set out herein. In the event we need to contact you concerning your registered equipment, Product Updates, Service Bulletins, or Product Recalls, the information you have provided on the product registration form will ensure your immediate notification. Do your part and let us help you by filling out your product registration form.

## Installation Guidelines

Due to variances in manufacturers' wrecker bodies, truck bodies and mounting surfaces, ITD cannot provide explicit mounting requirements for every mounting option. These instructions are to serve only as a guideline. Final installation requirements are left to the discretion of a qualified installer.

## Assumption of Risk

Towing and recovery (collectively "Towing") is by nature an inherently dangerous activity. As a consequence, towing operators assume the risk of serious injury or death. ITD products are only intended to be used solely by towing operators who have the requisite training and experience who not only understand the proper use of the product/s but also fully understand all risks associated with towing.

If you do not have the requisite experience and training as a towing operator DO NOT USE these products.

## WARRANTY INFORMATION

### Inspection

- ITD requires that each operator of a truck or transport vehicle perform a detailed circle check before and after each use of the truck or transport vehicle. This inspection must include the power unit, the towing unit, and all items installed on the unit.
- Do not take chances with your life or other people's lives. Make sure all items are secured and in safe working order.
- Always inspect products for any signs of paint cracking, metal fatigue or premature wear.
- Maintain a visual inspection along with grabbing the products and wiggling or pulling on it to make sure there is no way anything can become dislodged from its mount.
- Remove from service immediately if repairs are needed. Do not take chances.

### Paint, Powder Coated and Polished Finishes:

The ITD warranty does not cover coatings or finishes, of powder coated products, galvanized products, zinc plated products, bare aluminum products, polished or non-polished stainless steel products or finishes. This includes, but is not limited to, scratches, peeling, chipping, hazing, dulling of finish or surface.

### Modifications to ITD Products

- DO NOT modify or tamper with any ITD Product. Doing so will void any applicable warranty and may result in serious injury or death.
- Warranties will be voided if any ITD Product is modified or tampered with.

### Securement

- The driver/operator must verify that all hardware is secure and tight. This includes, but is not limited to, mounting hardware and retaining systems.
- It is the driver /operator's responsibility to ensure that nothing can come loose from any part of the truck or transport vehicle or the vehicle being towed. It is the operator's responsibility to make sure that all items are in good working order and are properly secured.
- Only a qualified installer should mount ITD equipment. It is the installer's responsibility to ensure mounts are secure.
- It is the operator's responsibility to ensure his or her load is secured properly to the mounts.

ITD recommends taking this approach to load/product securement:

1. Imagine if you took your truck and turned it upside down. Nothing should fall out of or off of the truck.
2. Now imagine if you stood the truck on the end where the front bumper was facing straight up into the sky. Nothing should fall out of or off the truck.
3. Now imagine the rear bumper was facing the sky. Nothing should fall out of or off of the truck.

### Mix and Matching of different Manufacturer's Products

- Only use In The Ditch brand mounts with In The Ditch Products.
- Only use In The Ditch brand replacement parts for In The Ditch brand products.
- Don't Mix and Match Axles
- Failure to do so may result in voiding any applicable warranty and serious bodily injury or death.

# PRODUCT SPECIFIC INFORMATION

- ⚠ Failure to follow the safety guidelines listed may result in voiding any applicable warranty, serious bodily injury, or death.
- ⚠ It is very important that you properly fill out your product registration form at [registration.intheditch.com](http://registration.intheditch.com) to register your equipment. By submitting the information within 15 days of your purchase, your warranty will be validated, ensuring that your equipment will be protected subject to the terms and conditions set out herein. In the event we need to contact you concerning your registered equipment, Product Updates, Service Bulletins, or Product Recalls, the information you have provided on the product re notification. Do your part and let us help you by filling out your product registration form.

## SAFETY INFORMATION

This manual is supplied for the ITD unit to better familiarize the owner/operator with proper operation and maintenance procedures. The information contained in this manual must be thoroughly understood by all operating and maintenance personnel to ensure the protection of the operator of this unit and to prolong the unit's working life.

## LOADCAPACITY

- ⚠ Do Not exceed maximum load capacity.
  - Pro Series Tool Box doors can be used as a step with 400lb. load capacity.
  - Do not exceed 400lbs

## SAFETY & PRECAUTIONS

- ⚠ Before inspecting, operating, or performing maintenance on this product, read the manual thoroughly and fully understand the contents. Keep this manual in a safe, designated place for future reference!
- ⚠ Due to variances in manufacturers' wrecker bodies, truck bodies and mounting surfaces, ITD cannot provide explicit mounting requirements for every mounting option. These instructions are to serve only as a guideline. Final installation requirements are left to the discretion of a qualified installer.
- ⚠ Always mount at a flat, level surface. Do not mount at an angle!
- ⚠ ITD Brand Tool Boxes and related products are intended to be used solely by towing operators who have the requisite training and experience. If you do not have the requisite experience and training as a towing operator DO NOT USE these products.

## ⚠ SECUREMENT

It is the driver / operator's responsibility to ensure that nothing can come loose from any part of the truck or transport vehicle, or the vehicle being towed. It is the operator's responsibility to make sure that all items are in good working order and are properly secured!

## ⚠ MODIFICATION

**DO NOT** modify or tamper with any ITD product. Doing so will void any applicable warranty and may result in serious injury or death. Warranties will be voided if any ITD Product is modified or tampered with!

## ⚠ INSPECTION

ITD requires that each operator of a truck or transport vehicle perform a detailed circle check before and after each use of the truck or transport vehicle. This inspection must include the power unit, the towing unit, and all items installed on the unit.

- Do not take chances with your life or other people's lives. Make sure all items are secured and in safe working order.
- Always inspect products for any signs of paint cracking, metal fatigue or premature wear.
- Maintain a visual inspection along with grabbing the products and wiggling or pulling on it to make sure there is no way anything can become dislodged from its mount
- Remove from service immediately if repairs are needed. Do not take chances.


## ⚠ MIXING & MATCHING PRODUCTS

- Only use In The Ditch brand mounts with In The Ditch brand products.
- Only use In The Ditch brand replacement parts for In The Ditch brand products.

## ⚠ ALWAYS FOLLOW STATE & LOCAL GUIDELINES!

- ⚠ Failure to follow the safety guidelines listed may result in voiding any applicable warranty, serious bodily injury, or death.
- ⚠ It is very important that you properly fill out your product registration form at [registration.intheditch.com](http://registration.intheditch.com) to register your equipm. By submitting the information within 15 days of your purchase, your warranty will be validated, ensuring that your equipment will be protected subject to the terms and conditions set out herein. In the event we need to contact you concerning your registered equipment, Product Updates, Service Bulletins, or Product Recalls, the information you have provided on the product registration form will ensure your immediate notification. Do your part and let us help you by filling out your product registration form.

# MAINTENANCE

 It is the operator's responsibility to inspect before each use. Inspection should be a part of the operator's daily circle check of the vehicle.

## Visual Inspection

Before each use, perform a thorough visual inspection of the unit and all accessories.

Inspect for:


- Evidence of physical damage such as cracking
- Bending
- Deformation of plates and welds
- Cracking or flaking of powder coat or paint
- Loose rivets or bolts

## Maintenance

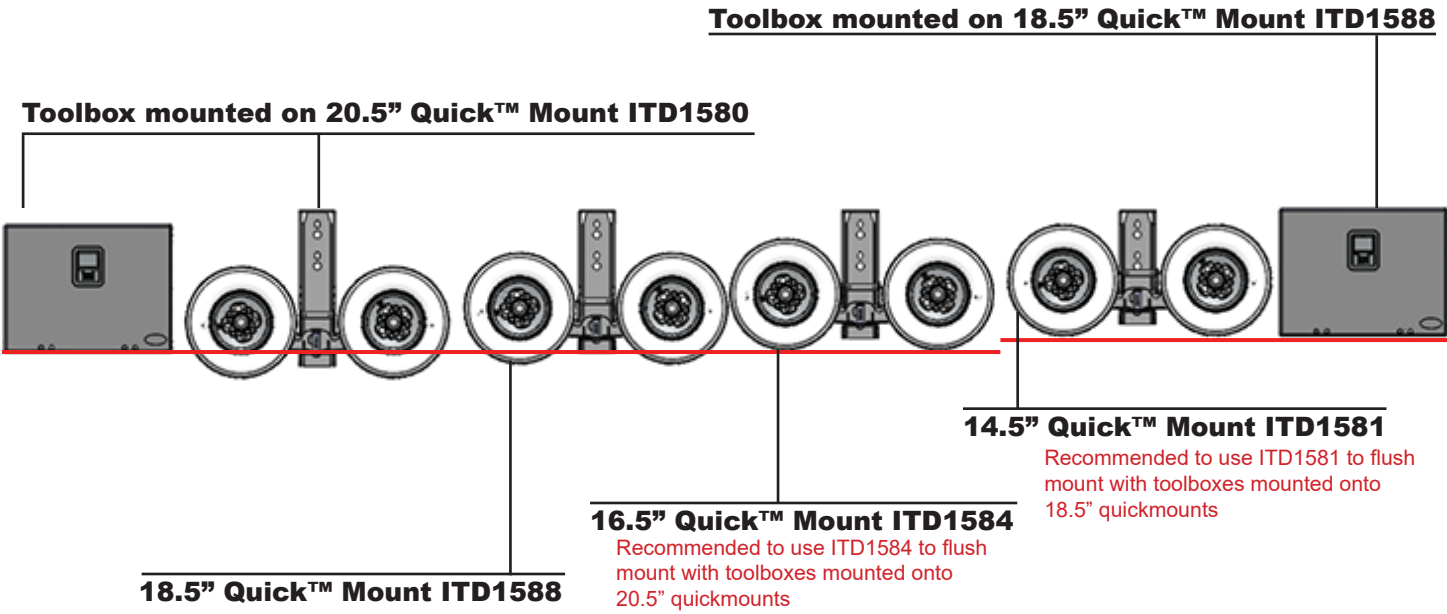
- Keep clean and free of debris.
- Avoid pressure washing directly behind stainless steel panels.
- Check tightness of hardware and tighten as needed.

If any unusual conditions exist, contact ITD and remove the equipment from service immediately. Repair or replace the necessary components with ITD certified parts. Only use In The Ditch approved replacement parts. Failure to do so could result in damage, injury or death!

 Failure to follow the safety guidelines listed may result in voiding any applicable warranty, serious bodily injury, or death.

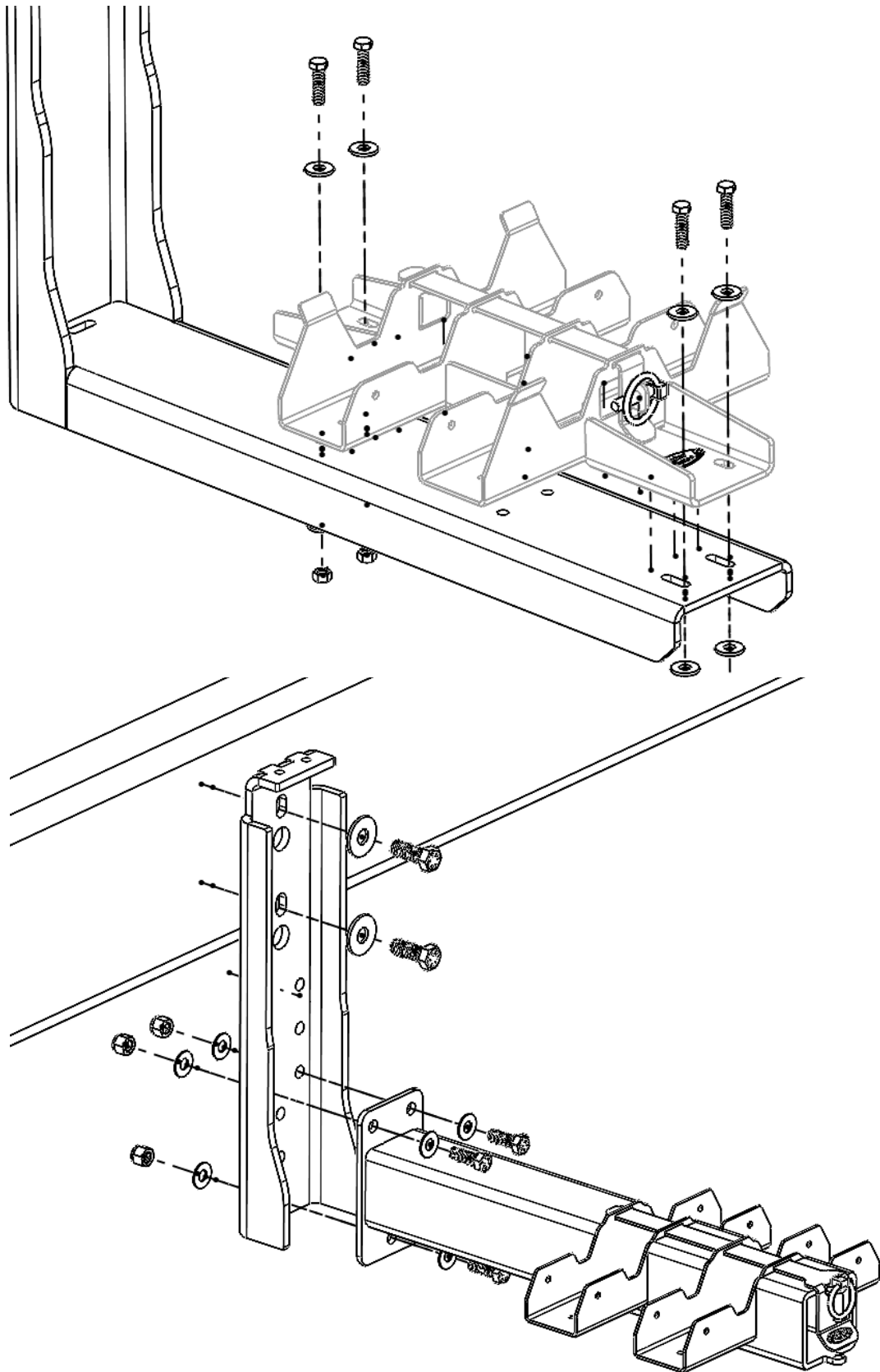
 It is very important that you properly fill out your product registration form at [registration.intheditch.com](http://registration.intheditch.com) to register your equipment. By submitting the information within 15 days of your purchase, your warranty will be validated, ensuring that your equipment will be protected subject to the terms and conditions set out herein. In the event we need to contact you concerning your registered equipment, Product Updates, Service Bulletins, or Product Recalls, the information you have provided on the product registration form will ensure your immediate notification. Do your part and let us help you by filling out your product registration form.

# SIZING



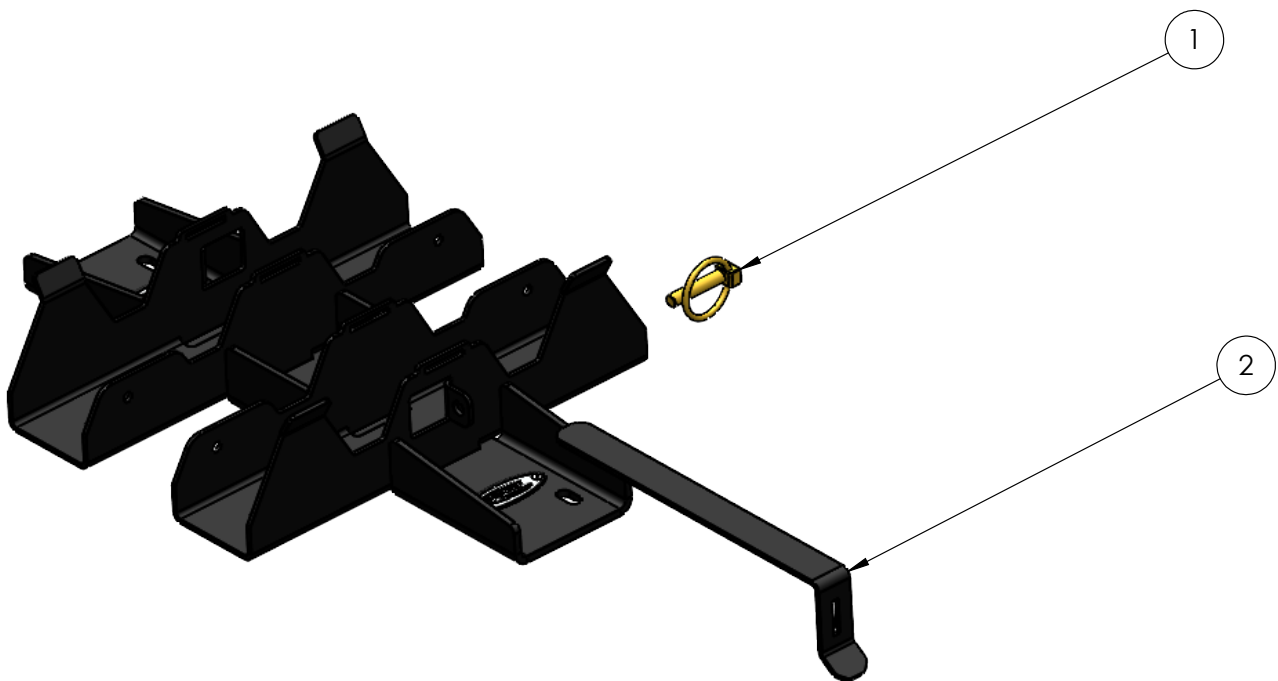
# INSTALLATION

---



# REPLACEMENT PARTS

PART #	DESCRIPTION
ITD25099	Dolly Quick Mount

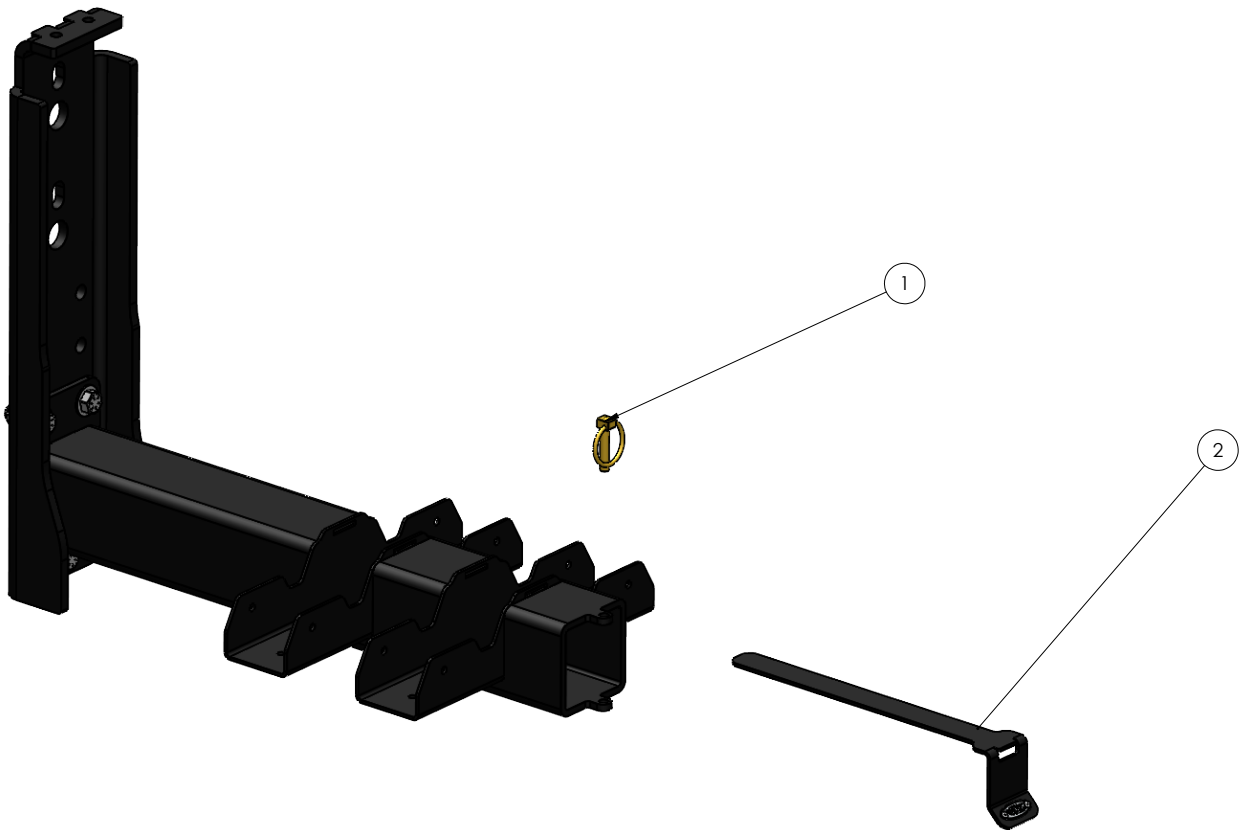


ITEM#	PART#	DESCRIPTION	QTY
1	ITD7099	Replacement - 5/16" Lynch Pin	1
2	ITD25102	Replacement - Simple Lock for ITD25099	1



# REPLACEMENT PARTS

PART #	DESCRIPTION
ITD25052	Car Carrier Dolly Rack



ITEM#	PART#	DESCRIPTION	QTY
1	ITD7099	Replacement - 5/16" Lynch Pin	1
2	ITD25071	Replacement - Simple Lock for ITD25052	1