

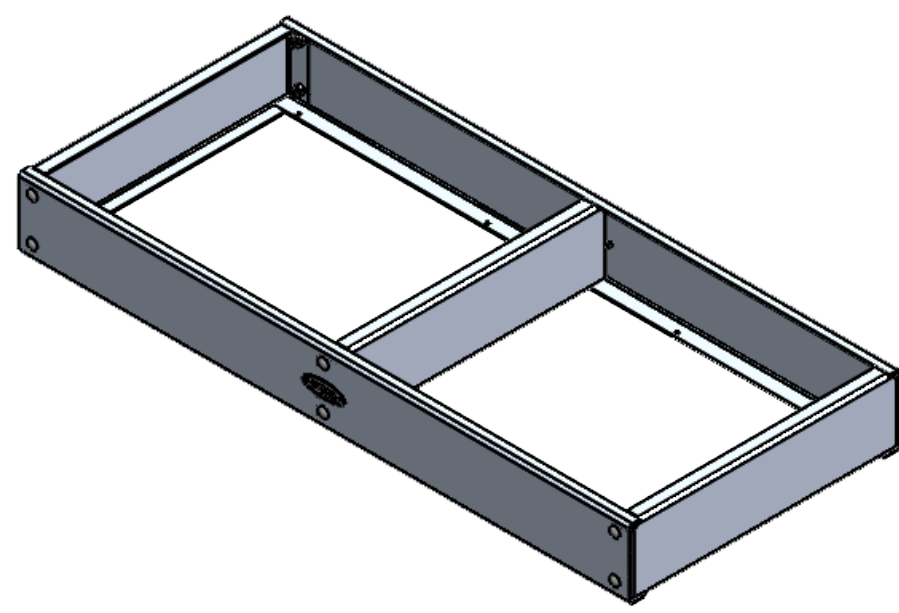
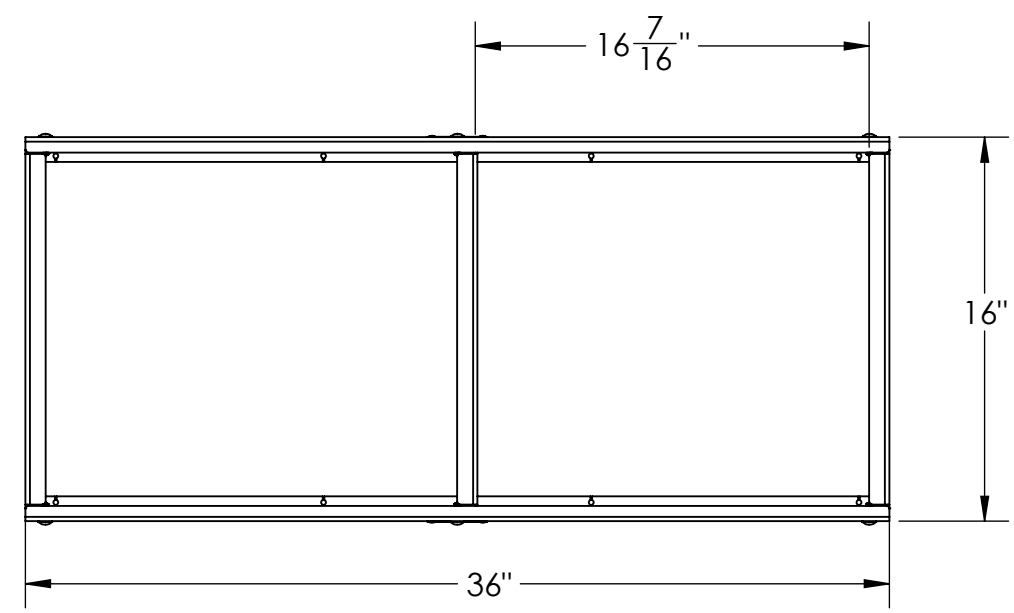
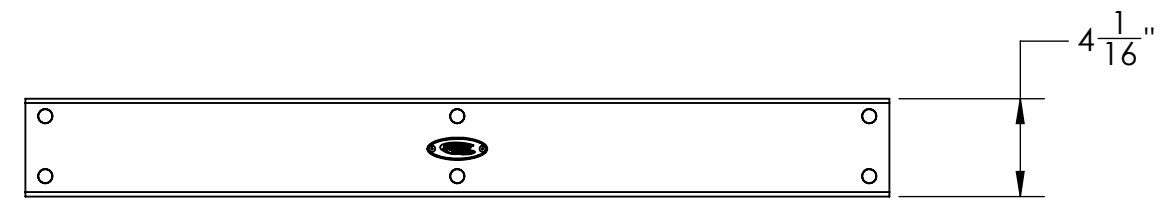
4

3

2

1

DIMENSIONS



UNLESS OTHERWISE SPECIFIED		NAME	DATE	inventive-group One Company, 4 Brands
TOLERANCES:		DRAWN	ED	
ANGULAR:	BEND ± 0.3°	ENG APPR.	AV	02/19/2024
FRACTIONAL	± 1/16"	PROPRIETARY AND CONFIDENTIAL		
TWO PLACE DECIMAL	± 0.020"			
THREE PLACE DECIMAL	± 0.010"	THE INFORMATION CONTAINED IN THIS DRAWING IS THE SOLE PROPERTY OF INVENTIVE GROUP LLC. ANY REPRODUCTION IN PART OR AS A WHOLE WITHOUT THE WRITTEN PERMISSION OF INVENTIVE GROUP LLC. IS PROHIBITED.		
GD&T ASME Y14.5-2018		TITLE:		36" x 16" GEN 2 BOX TOP TRAY
TOP LEVEL ASSEMBLY P/N		SIZE		PART NUMBER:
ITD24074		B		ITD24074
MATERIAL		WEIGHT		5.80 LBS
VARIES		SURFACE AREA		1392.58 SQ IN
FINISH		SCALE: 1:8		DO NOT SCALE DRAWING
VARIES		REV		A
		SHEET 1 OF 1		

4

3

2

1

B

B

A

A

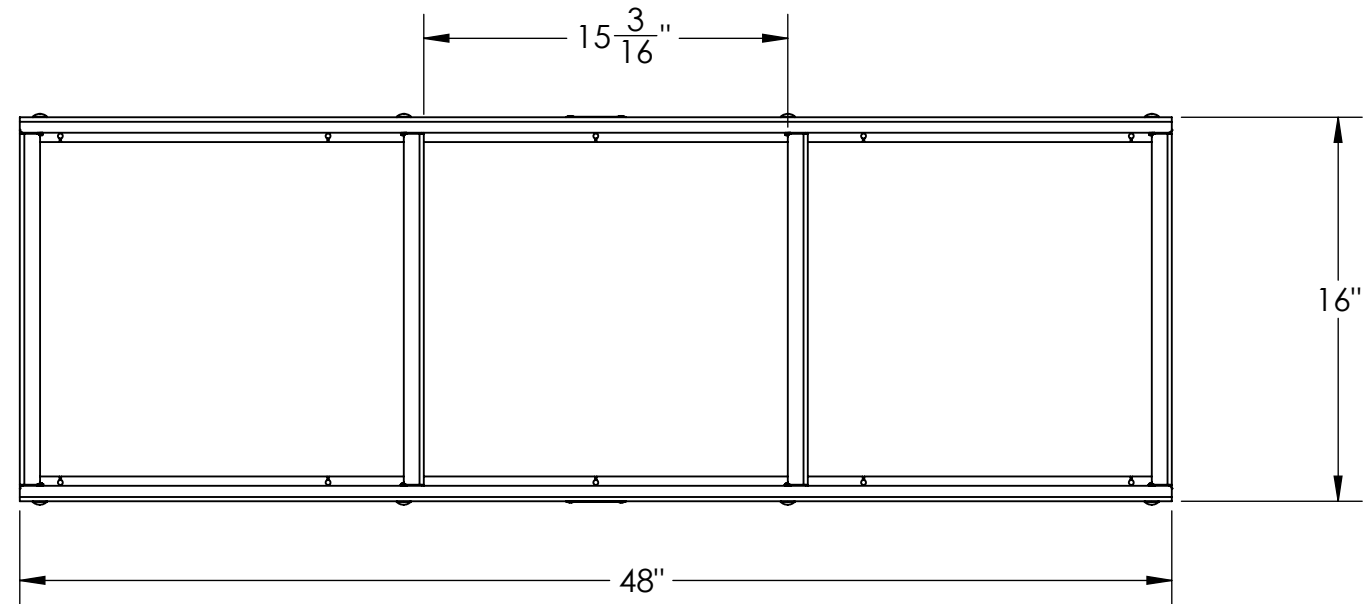
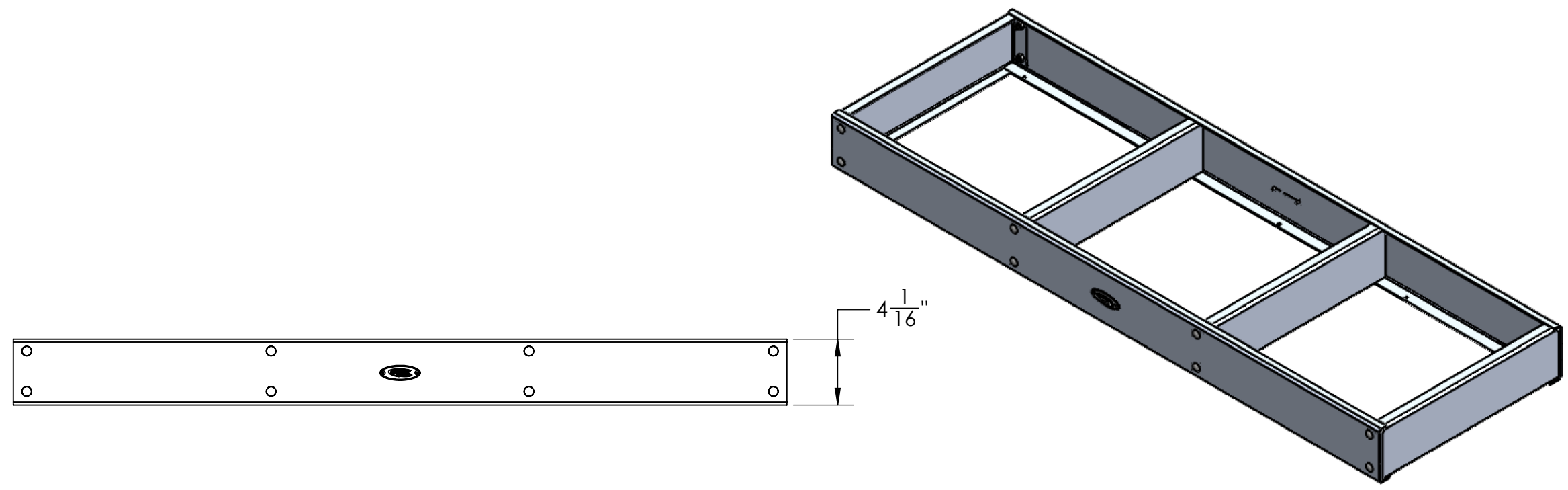
4

3

2

1

DIMENSIONS



UNLESS OTHERWISE SPECIFIED		NAME	DATE	inventive-group One Company, 4 Brands
TOLERANCES:		DRAWN	ED	
ANGULAR:	BEND ± 0.3°	ENG APPR.	AV	11/03/2023
FRACTIONAL	± 1/16"			
TWO PLACE DECIMAL	± 0.020"			
THREE PLACE DECIMAL	± 0.010"	PROPRIETARY AND CONFIDENTIAL		
GD&T ASME Y14.5-2018		THE INFORMATION CONTAINED IN THIS DRAWING IS THE SOLE PROPERTY OF INVENTIVE GROUP LLC. ANY REPRODUCTION IN PART OR AS A WHOLE WITHOUT THE WRITTEN PERMISSION OF INVENTIVE GROUP LLC. IS PROHIBITED.		
TOP LEVEL ASSEMBLY P/N		TITLE:		
ITD24075		48" X 16" GEN 2 BOX TOP TRAY		
MATERIAL	VARIABLES	SIZE	PART NUMBER:	REV
FINISH	VARIABLES	B	ITD24075	A
		WEIGHT	7.73 LBS	
		SURFACE AREA	1853.04 SQ IN	
		SCALE: 1:8	DO NOT SCALE DRAWING	SHEET 1 OF 1

4

3

2

1

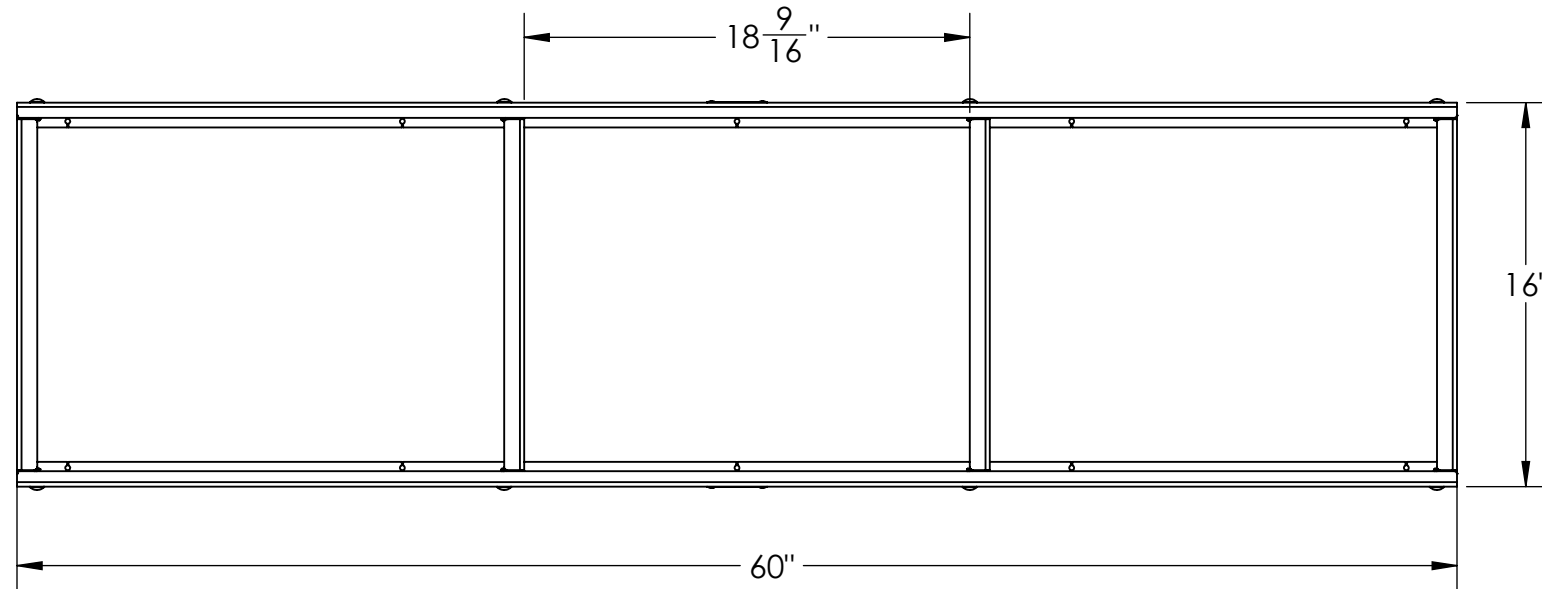
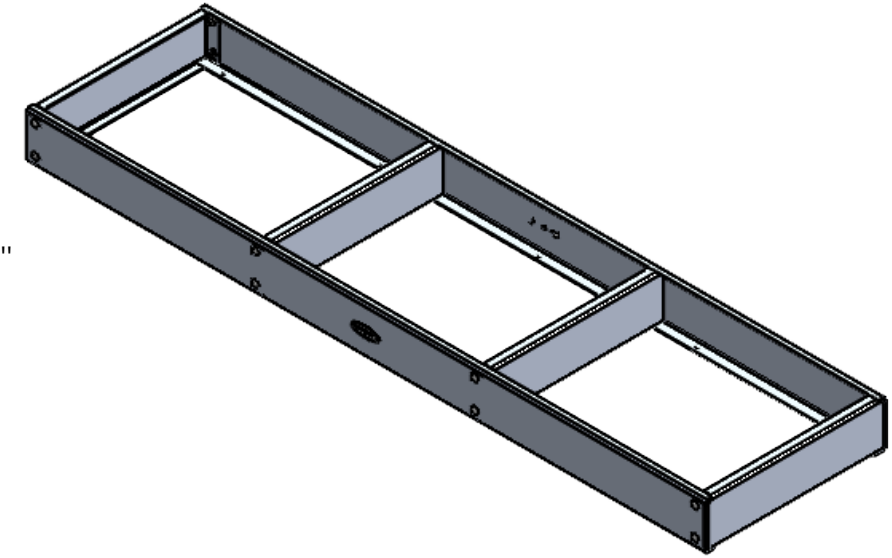
B


B

A

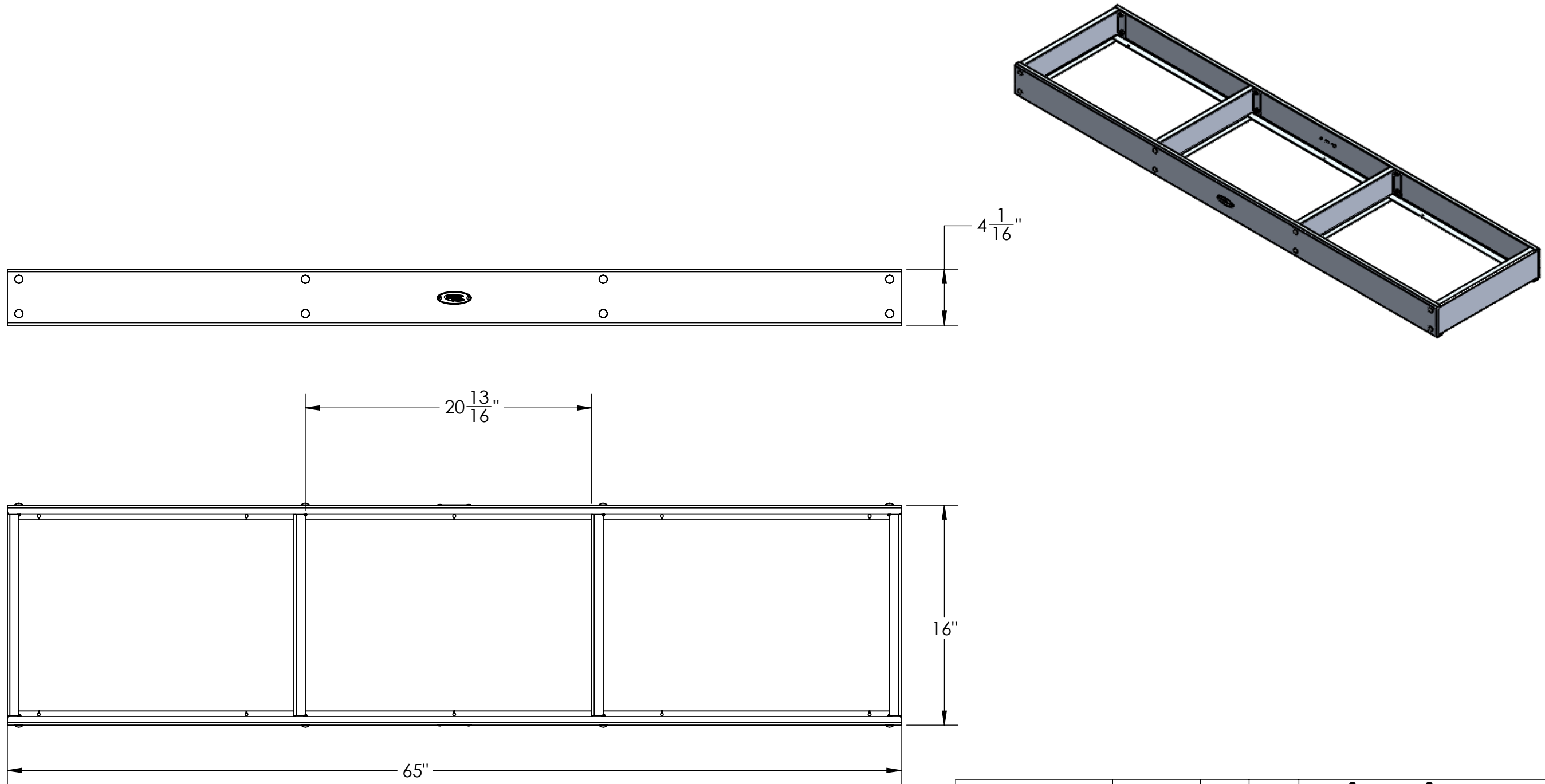
A

DIMENSIONS



UNLESS OTHERWISE SPECIFIED		NAME	DATE	 One Company, 4 Brands
TOLERANCES: ANGULAR: BEND $\pm 0.3^\circ$ FRACTIONAL $\pm 1/16"$ TWO PLACE DECIMAL $\pm 0.020"$ THREE PLACE DECIMAL $\pm 0.010"$		DRAWN	ED	
GD&T ASME Y14.5-2018		ENG APPR.	AV	11/03/2023
TOP LEVEL ASSEMBLY P/N		PROPRIETARY AND CONFIDENTIAL		
ITD24076		THE INFORMATION CONTAINED IN THIS DRAWING IS THE SOLE PROPERTY OF INVENTIVE GROUP LLC. ANY REPRODUCTION IN PART OR AS A WHOLE WITHOUT THE WRITTEN PERMISSION OF INVENTIVE GROUP LLC. IS PROHIBITED.		
MATERIAL	VARIES	WEIGHT	8.87 LBS	TITLE: 60" X 16" GEN 2 BOX TOP TRAY - ASSEMBLY
FINISH	VARIES	SURFACE AREA	2119.14 SQ IN	SIZE B PART NUMBER: ITD24076 REV A
			SCALE: 1:12	DO NOT SCALE DRAWING SHEET 1 OF 1

DIMENSIONS



UNLESS OTHERWISE SPECIFIED		NAME	DATE	 One Company, 4 Brands
TOLERANCES: ANGULAR: BEND ± 0.3° FRACTIONAL ± 1/16" TWO PLACE DECIMAL ± 0.020" THREE PLACE DECIMAL ± 0.010" GD&T ASME Y14.5-2018		ED	11/02/2023	
TOP LEVEL ASSEMBLY P/N ITD24077		ENG APPR.	AV	11/08/2023
MATERIAL VARIES		PROPRIETARY AND CONFIDENTIAL THE INFORMATION CONTAINED IN THIS DRAWING IS THE SOLE PROPERTY OF INVENTIVE GROUP LLC. ANY REPRODUCTION IN PART OR AS A WHOLE WITHOUT THE WRITTEN PERMISSION OF INVENTIVE GROUP LLC. IS PROHIBITED.		
FINISH VARIES		WEIGHT	9.34 LBS	TITLE: 65" X 16" GEN 2 BOX TOP TRAY - ASSEMBLY
		SURFACE AREA	2230.01 SQ IN	SIZE B
				PART NUMBER: ITD24077
				REV A
				SCALE: 1:12 DO NOT SCALE DRAWING SHEET 1 OF 1

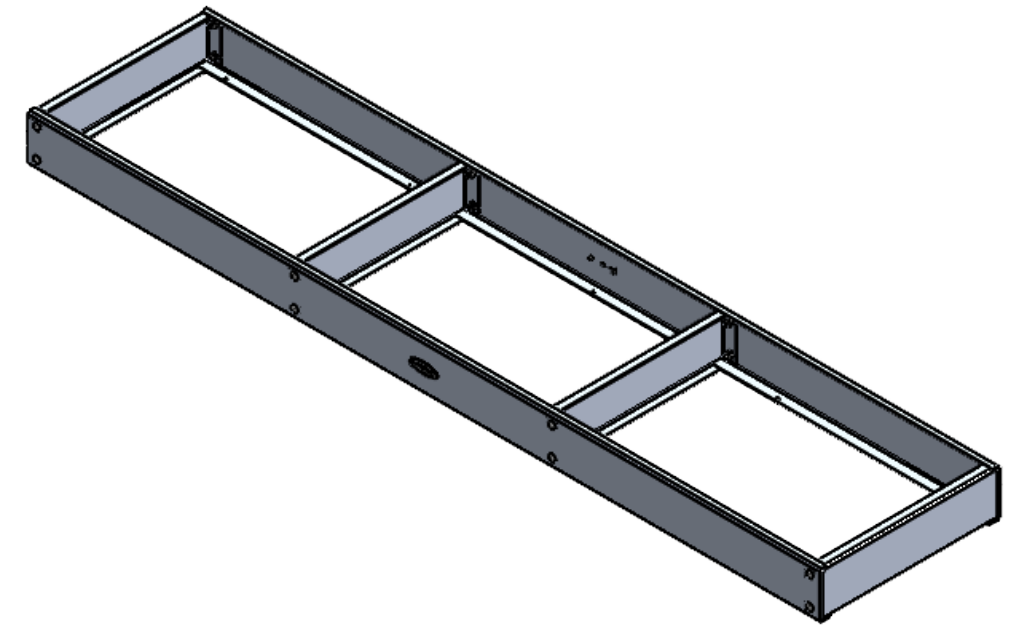
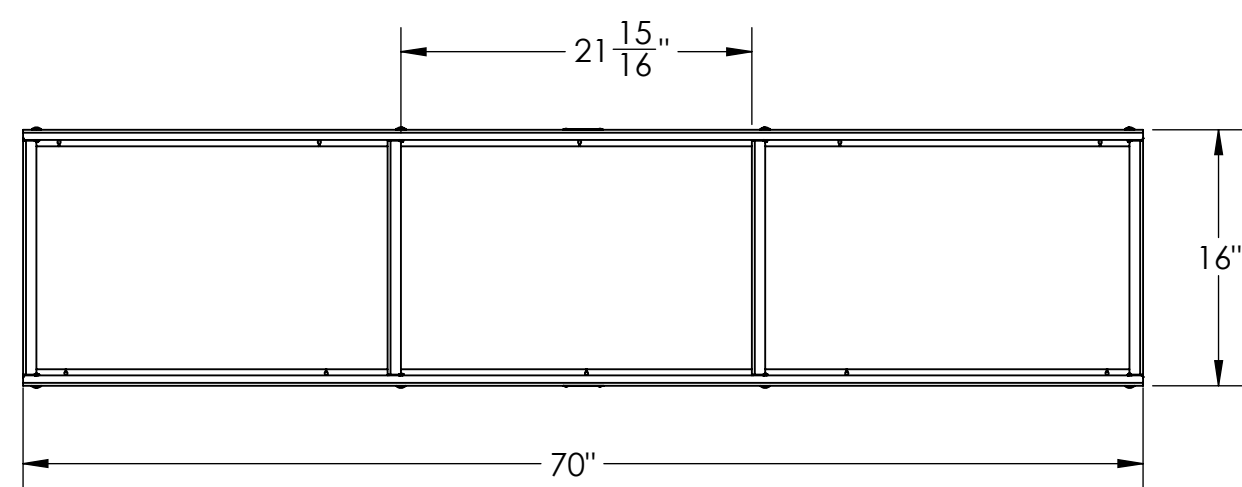
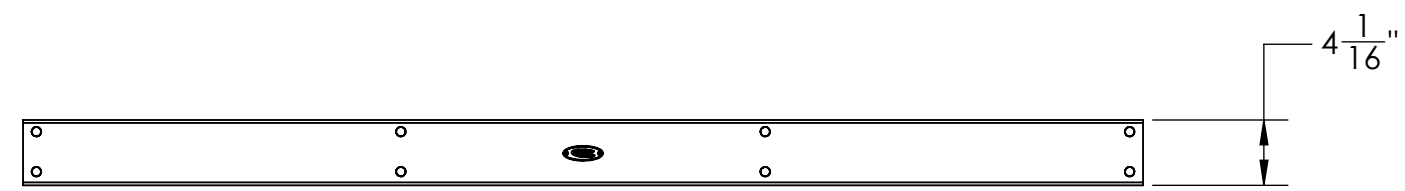
4

3

2

1

DIMENSIONS



B

B

A

A

4

3

2

1

UNLESS OTHERWISE SPECIFIED		NAME	DATE	inventive-group One Company, 4 Brands
TOLERANCES: ANGULAR: BEND $\pm 0.3^\circ$ FRACTIONAL $\pm 1/16"$ TWO PLACE DECIMAL $\pm 0.020"$ THREE PLACE DECIMAL $\pm 0.010"$		DRAWN	Ethan Dear	
GD&T ASME Y14.5-2018 TOP LEVEL ASSEMBLY P/N ITD24078		ENG APPR.		TITLE: 70" x 16" GEN 2 BOX TOP TRAY - ASSEMBLY
MATERIAL VARIES		PROPRIETARY AND CONFIDENTIAL THE INFORMATION CONTAINED IN THIS DRAWING IS THE SOLE PROPERTY OF INVENTIVE GROUP LLC. ANY REPRODUCTION IN PART OR AS A WHOLE WITHOUT THE WRITTEN PERMISSION OF INVENTIVE GROUP LLC. IS PROHIBITED.		SIZE B
FINISH VARIES		WEIGHT 9.82 LBS	PART NUMBER: ITD24078	REV
		SURFACE AREA 2340.89 SQ IN	SCALE: 1:12	DO NOT SCALE DRAWING SHEET 1 OF 2

4

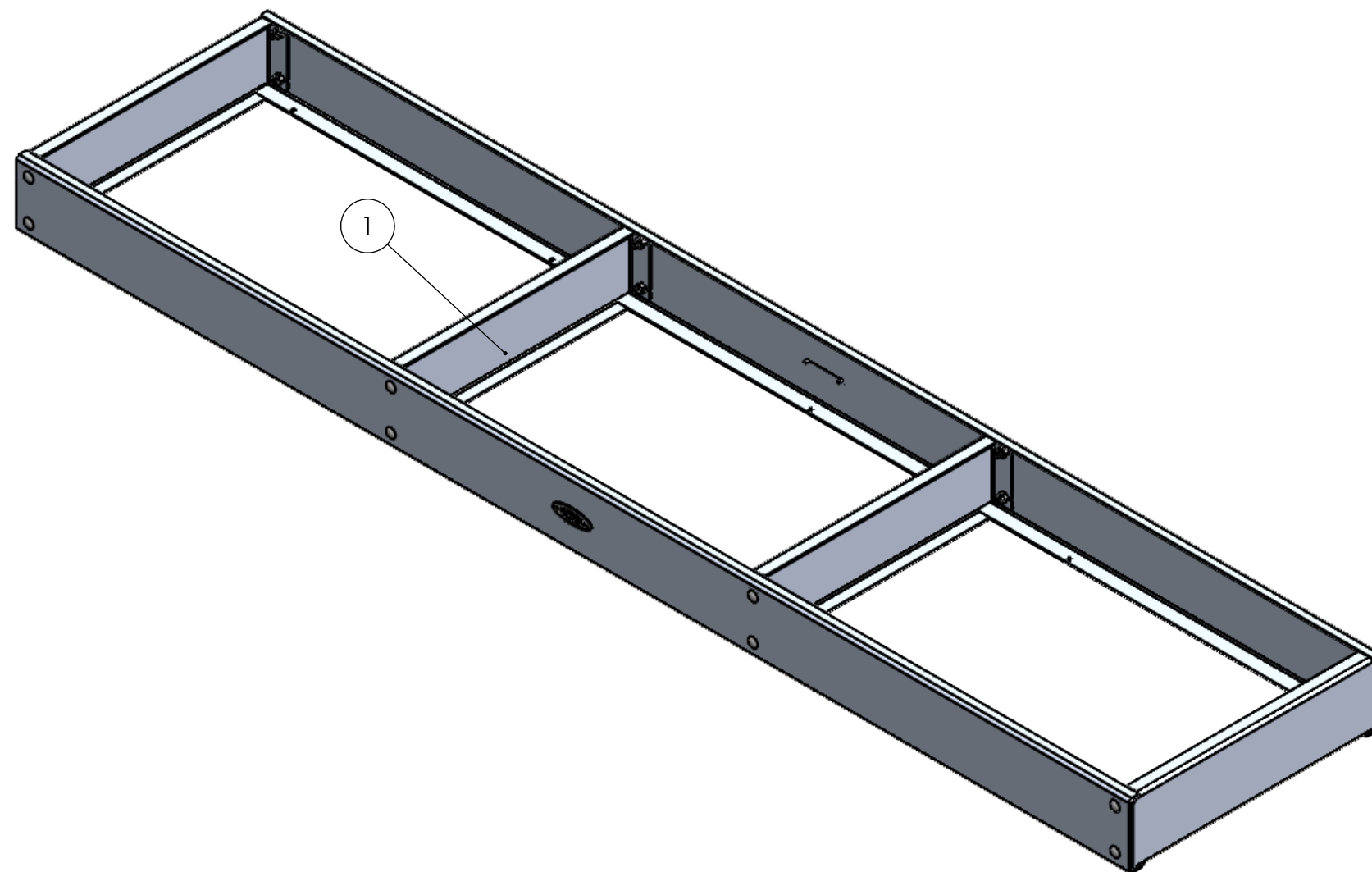
3

2

1

REPLACEMENT PARTS

ITEM NO.	PART NUMBER	DESCRIPTION	QTY
1	ITD24079	GEN 2 BOX TOP UNIVERSAL DIVIDER	1



UNLESS OTHERWISE SPECIFIED		NAME	DATE	inventive-group One Company, 4 Brands			
TOLERANCES: ANGULAR: BEND $\pm 0.3^\circ$ FRACTIONAL $\pm 1/16''$ TWO PLACE DECIMAL $\pm 0.020''$ THREE PLACE DECIMAL $\pm 0.010''$ GD&T ASME Y14.5-2018		DRAWN	Ethan Dear			TITLE: 70" x 16" GEN 2 BOX TOP TRAY - ASSEMBLY	
TOP LEVEL ASSEMBLY P/N ITD24078		ENG APPR.		SIZE B	PART NUMBER: ITD24078		
MATERIAL VARIES		PROPRIETARY AND CONFIDENTIAL THE INFORMATION CONTAINED IN THIS DRAWING IS THE SOLE PROPERTY OF INVENTIVE GROUP LLC. ANY REPRODUCTION IN PART OR AS A WHOLE WITHOUT THE WRITTEN PERMISSION OF INVENTIVE GROUP LLC. IS PROHIBITED.		SCALE: 1:12		DO NOT SCALE DRAWING	SHEET 2 OF 2
FINISH VARIES		WEIGHT 9.82 LBS	SURFACE AREA 2340.89 SQ IN				

4

3

2

1

B

B

A

A