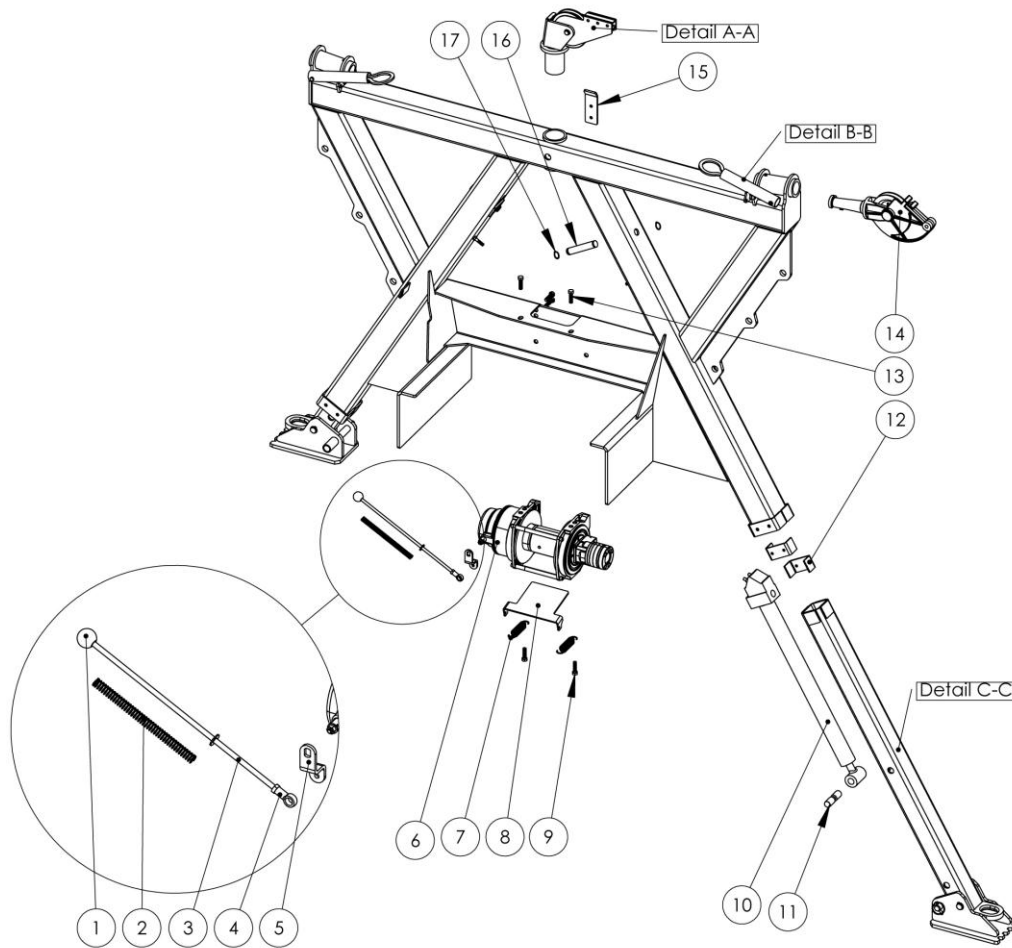


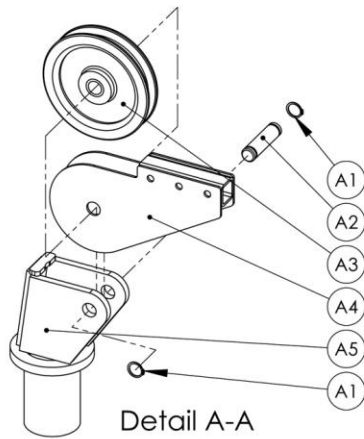
PARTS & ACCESSORIES



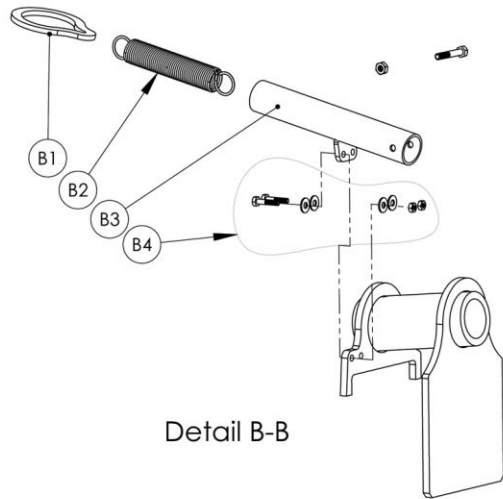
SP8,000 Parts List

Item #	Part #	Description	Item #	Part #	Description
1	ITD7044	Pull Knob - 3/8"-16	10	ITD4189	SP8 Cylinder
2	ITD4096	Free Spool Spring	11	ITD4117	SP8-Lower Cylinder Pin
3	ITD4072	Free Spool Rod	12	ITD4119	SP8 – Lower Leg Shims
4	ITD4093	Free Spool Rod - Rod End	13	-	M12-1.75 x 40mm Bolt
5	ITD4162	Winch Offset Lever	14	ITD4173	SP - Outer Boom Head
6	ITD4188	9,000lb Hydraulic Winch	15	ITD4143	Center boom retainer
7	ITD4095	Winch Tensioner Spring	16	ITD4190	SP8-Upper Cylinder Pin
8	ITD4141	SP8-Tensioner Plate	17	ITD7069	1" Snap Ring
9	-	M12-1.75 x 40mm Bolt			
Items Not Displayed			Items Not Displayed		
			N/A	ITD4094	3/8" Steel Core Wire Rope -100' spool

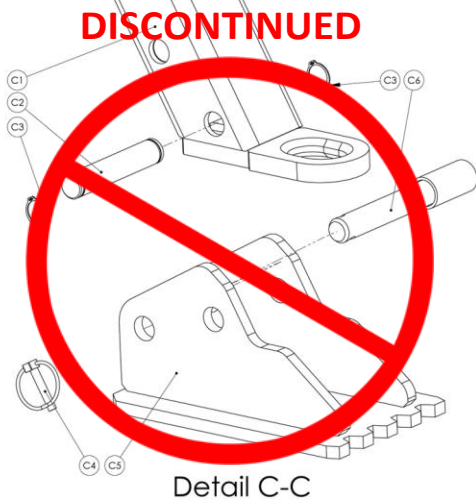
SP8,000 Parts List



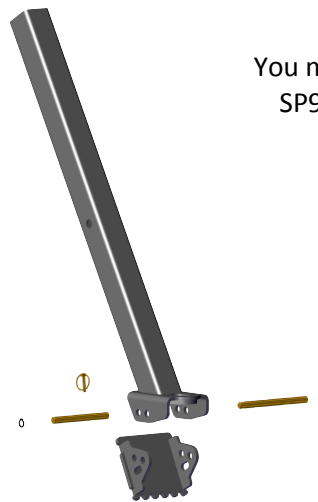
Detail A-A



Detail B-B



Detail C-C



You must purchase an entire SP9000 inner leg assembly for replacement

Item #	Part #	Description	Item #	Part #	Description
Center Boom Head (Detail A-A)			Spring Tube Assembly (Detail B-B)		
A-A	ITD4044	Center Boom Head Assembly	B-B	ITD4064	Spring Tube Assembly
A1	ITD7074	3/4" Snap Ring	B1	ITD4066	Hook Restraint Pear Link
A2	ITD4054	Sheave Pin	B2	ITD4067	Hook Restraint Tension Spring
A3	ITD4053	6" Sheave	B3	ITD4065	Hook Restraint (Right or Left)
A4	ITD4050	Wire Rope Guide	B4	-	Spring Tube Bolts (1/4")
A5	ITD4045	Center Boom Head Body			
Inner Leg Assembly (Detail C-C)					
C-C	ITD4138	Inner Leg Assembly			
C1	Call	Welded Inner Leg	C4	Call	SP8,000 Removable Foot Pin
C2	Call	SP8,000 Pivot Foot Pin	C5	Call	Foot Base with Ice Grouser
C3	ITD7074	3/4" Snap Ring	C6	ITD7099	5/16" Linch Pin