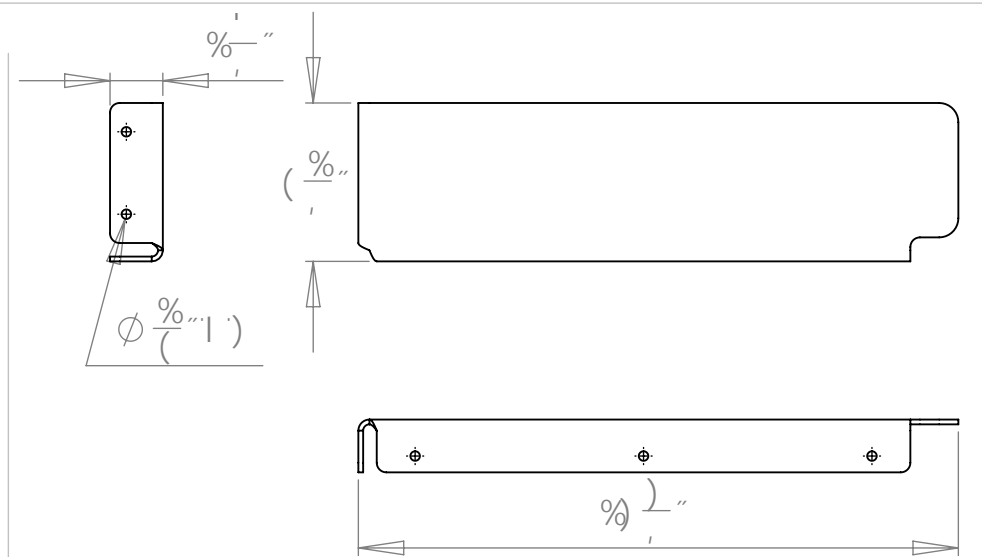
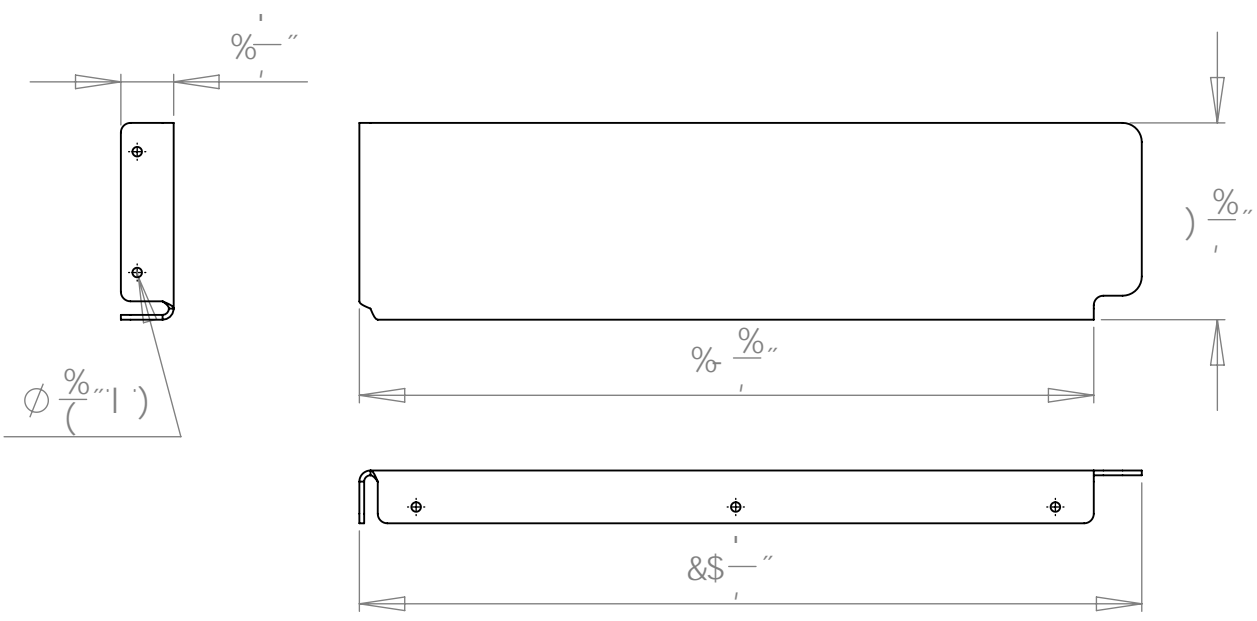


$\pm B \frac{0.000}{0.000}$



$\pm B \frac{0.000}{0.000} \pm t$



$\pm B \frac{0.000}{0.000} \pm \sigma$

$\pm B \frac{0.000}{0.000} \pm t$	
D5FHB5A 9	
5 i a]bi a 'G\Y`Z8 j]XYfg	
GA9 D5FH`BC "	
5	$\pm B \frac{0.000}{0.000} \pm t$
G< 99HG7 5 @9%)	G< 99H%cZ%

8]a Ybgjcbg'UfY `Zc f'fY ZY fY bWW `c b`m'