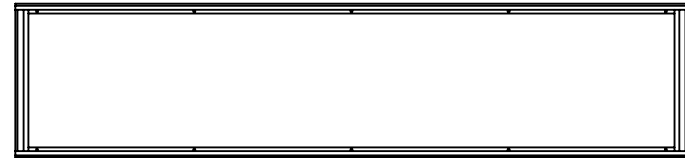
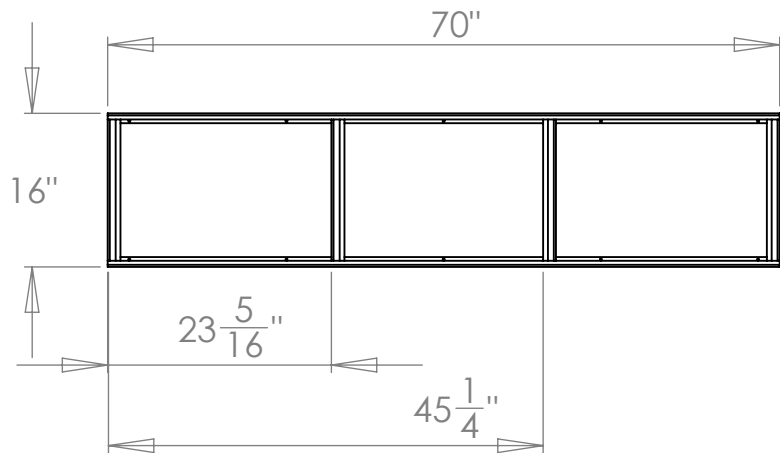


ITD1067 No Divider



ITD1067D With Divider



| REV. | DESCRIPTION | DATE | APPROVED |
|------|-------------|------|----------|
|------|-------------|------|----------|

| ITEM NO. | PART NUMBER | DESCRIPTION | QTY. |
|----------|-------------|--------------------------|------|
| 1 | ITD6327 | BXT-70" Front/Rear Rails | 2 |
| 2 | ITD6905-04 | Box Top Divider | 4 |

| | | |
|---|--|--------------|
| DRAWN BY: KBH DRAWN DATE: 12/13/2012 UNLESS OTHERWISE SPECIFIED: DIMENSIONS ARE IN INCHES TOLERANCES: FRACTIONAL $\pm 1/16"$ ANGULAR: MACH $\pm 0.25^\circ$ BEND $\pm 1.5^\circ$ TWO PLACE DECIMAL $\pm 0.020"$ THREE PLACE DECIMAL $\pm 0.005"$ MATERIAL: See BOM DO NOT SCALE DRAWING | Inventive LLC In The Ditch Towing Products PART NAME 70" Alum Box Top SIZE PART NO. A ITD1067-01 SHEET SCALE 1:20 | SHEET 1 of 1 |
|---|--|--------------|