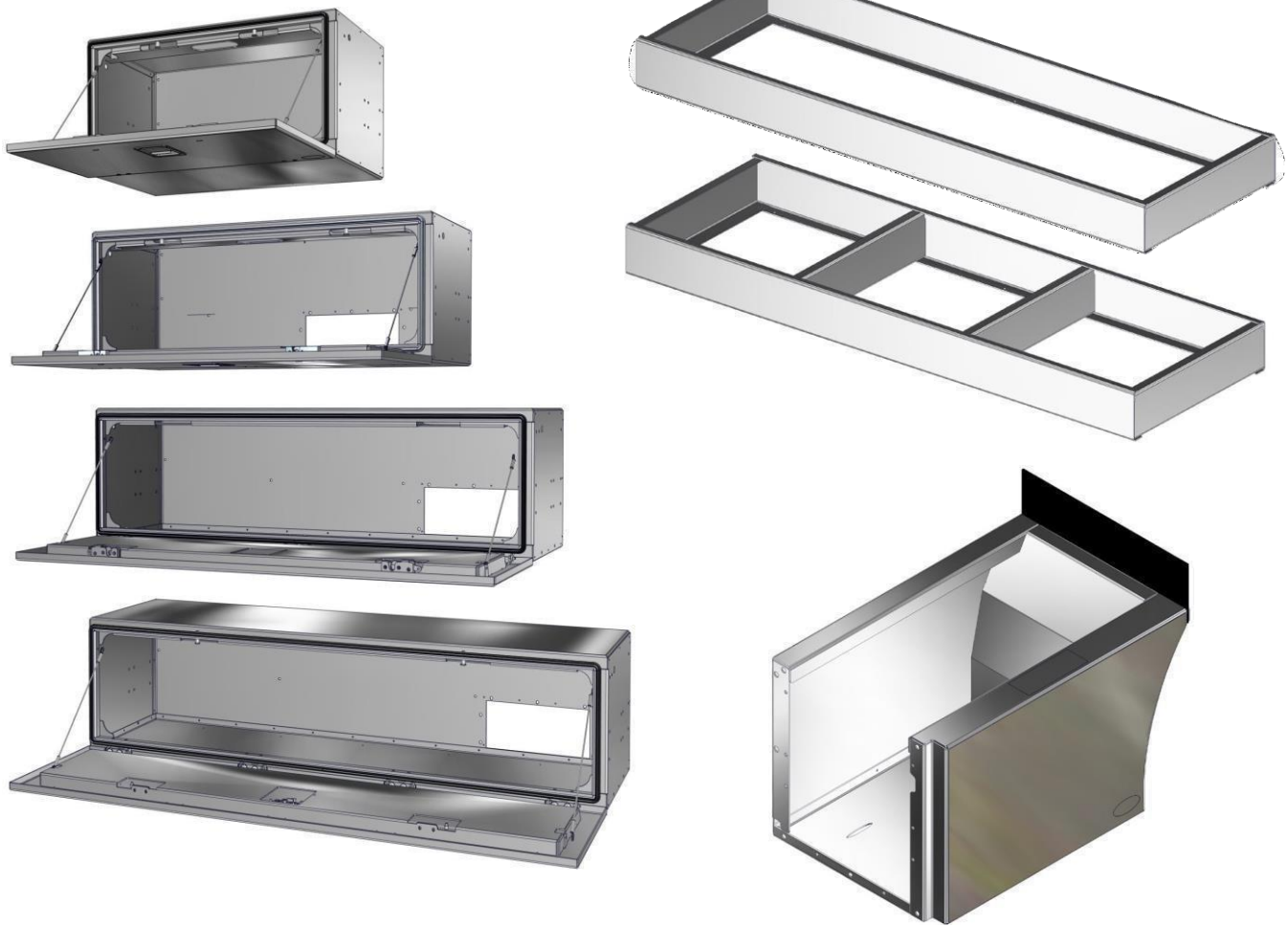




www.intheditch.com

TOOL BOX AND ACCESSORIES INSTALLATION GUIDE



Includes installation instructions for: Pro Series™ Tool Boxes, Quick™ Mounts, Power Lock™ Series, Storage™ Fenders, Box Top Trays, Lumber Baskets, Air Fitting, Jack Bracket, Full Shelf, Half Shelf, 36" Shelf, and more ...

TABLE OF CONTENTS

Configuration Overview	Pg2
Warranty Information	Pg3-6
Quick™Mounts.....	Pg13 - 18
Pro Series™Tool Boxes	Pg19 -26
Power Lock™ Series Tool Boxes.....	Pg19 -27
Storage™Fenders	Pg28
Tool Box Accessories.....	Pg33
Box Top Trays.....	Pg34
Tool Box Shelving.....	Pg36
Pro Series™Slide Out Drawer	Pg39
Jack Bracket.....	Pg40
Air and Wiring Bracket.....	Pg41
Lumber Baskets	Pg42
Trash Can Mounts.....	Pg43



www.intheditch.com

sales@inventive-group.com • 208 -587-7960

2915 Industrial Way • Mountain Home, ID 83647 • USA

CONFIGURATION OVERVIEW



Limited Warranty

In The Ditch Towing Products (also referred to herein as ITD) warrants to the original purchaser that new ITD manufactured goods will be free from defects in material and workmanship for a period of twelve (12) months from the date placed in service. The purchaser must promptly notify ITD in writing of any failure in material or workmanship. In no event shall ITD accept such notification later than twelve (12) months from the date placed in service.

ITD's obligation under this warranty, statutory or otherwise, is limited to the repair or replacement at the ITD factory, or at a point designated by ITD, of such part or parts as shall appear upon inspection by ITD to be defective in material or workmanship. This warranty is not transferable. This warranty does not obligate ITD to bear the cost of labor or transportation charges in connection with the repair or replacement of any part(s) found to be defective, nor shall it apply to a product upon which repairs or alterations have been made unless such repairs or alterations were authorized by ITD.

Except as expressly set forth in this warranty, ITD makes no other warranty, express or implied, and hereby disclaims all other warranties including, but not limited to, the implied warranties of merchantability and fitness for a particular purpose. ITD shall in no event be liable for any claims for downtime, loss of profits or goodwill, or any claims for other special, incidental, indirect, or consequential damages concerning or relating to any product or parts, whether based on negligence, strict liability, breach of contract, breach of warranty, misrepresentation, or any other legal theory, regardless of whether the loss resulted from any general or particular requirement which ITD knew or had reason to know about at the time of sale.

ITD makes no warranty, express or implied, as to the finished products manufactured or supplied by another manufacturer and supplied by ITD to purchaser, including, but not limited to, any vehicle to which an ITD product may be affixed or any accessories, and ITD expressly disclaims any implied warranties of merchantability and fitness for a particular purpose as to such equipment or products. This language shall in no way affect or diminish the rights of the purchaser to rely on such warranties as are extended by such manufacturers or suppliers. ITD shall, to the extent permitted under applicable law, pass on to the purchaser such manufacturer's or seller's warranty.

The customer must obtain and present a written authorization number from ITD prior to any work beginning, and the customer agrees to bear all costs. Please note: Merchandise covered by a manufacturer's warranty must be sent directly to the manufacturer for replacement or repair. ITD, whose policy is one of continuous improvement, reserves the right to improve its products through changes in design or materials as it may deem desirable without being obligated to incorporate such changes in any products previously sold.

This warranty is not intended to cover and shall not apply or include the following items, which are set forth by way of example only: normal deterioration of trim, paint, lettering, appearance of items due to wear or exposure to weather, road conditions, road treatments, etc.; any damage or defect due to accident, misuse, abuse, operation exceeding rated loads, improper or unauthorized repairs, failure to provide reasonable and necessary maintenance, or uses in respect of which the equipment was not designed or intended; alterations or modifications that affect performance, operations, or reliability.

It is expressly understood that ITD makes no implied or express warranty that ITD manufactured goods shall be fit for the purpose of lifting or moving people or for any other improper use. Field modification of this unit without the advice and written consent of the ITD Engineering Department will void all warranties and any guarantees pertaining to both purchased components used in the manufacture of this unit, as well as structurally fabricated parts supplied by ITD. Use of other than factory or factory authorized parts will render the warranty void.

Notice to Owner or User

It is very important that you properly fill out your product registration form at registration.intheditch.com to register your equipment. By submitting the information within 15 days of your purchase, your warranty will be validated, ensuring that your equipment will be protected subject to the terms and conditions set out herein. In the event we need to contact you concerning your registered equipment, Product Updates, Service Bulletins, or Product Recalls, the information you have provided on the product registration form will ensure your immediate notification. Do your part and let us help you by filling out your product registration form.

Installation Guidelines

Due to variances in manufacturers' wrecker bodies, truck bodies and mounting surfaces, ITD cannot provide explicit mounting requirements for every mounting option. These instructions are to serve only as a guideline. Final installation requirements are left to the discretion of a qualified installer.

Assumption of Risk

Towing and recovery (collectively "Towing") is by nature an inherently dangerous activity. As a consequence, towing operators assume the risk of serious injury or death. ITD products are only intended to be used solely by towing operators who have the requisite training and experience who not only understand the proper use of the product/s but also fully understand all risks associated with towing.

Inspection

- ITD requires that each operator of a truck or transport vehicle perform a detailed circle check before and after each use of the truck or transport vehicle. This inspection must include the power unit, the towing unit, and all items installed on the unit.
- Do not take chances with your life or other people's lives. Make sure all items are secured and in safe working order.
- Always inspect products for any signs of paint cracking, metal fatigue or premature wear.
- Maintain a visual inspection along with grabbing the products and wiggling or pulling on it to make sure there is no way anything can become dislodged from its mount.
- Remove from service immediately if repairs are needed. Do not take chances.

Paint, Powder Coated and Polished Finishes:

The ITD warranty does not cover coatings or finishes, of powder coated products, galvanized products, zinc plated products, bare aluminum products, polished or non-polished stainless steel products or finishes. This includes, but is not limited to, scratches, peeling, chipping, hazing, dulling of finish or surface.

Modifications to ITD Products

- DO NOT modify or tamper with any ITD Product. Doing so will void any applicable warranty and may result in serious injury or death.
- Warranties will be voided if any ITD Product is modified or tampered with.

Securement

- The driver/operator must verify that all hardware is secure and tight. This includes, but is not limited to, mounting hardware and retaining systems.
- It is the driver /operator's responsibility to ensure that nothing can come loose from any part of the truck or transport vehicle or the vehicle being towed. It is the operator's responsibility to make sure that all items are in good working order and are properly secured.
- Only a qualified installer should mount ITD equipment. It is the installer's responsibility to ensure mounts are secure.
- It is the operator's responsibility to ensure his or her load is secured properly to the mounts.
- ITD recommends taking this approach to load/product securement:

Imagine if you took your truck and turned it upside down. Nothing should fall out of or off of the truck.



Now imagine if you stood the truck on the end where the front bumper was facing straight up into the sky. Nothing should fall out of or off the truck.

Now imagine the rear bumper was facing the sky. Nothing should fall out of or off of the truck.

Mix and Matching of different Manufacturer's Products

- Only use In The Ditch brand mounts with In The Ditch Products.
- Only use In The Ditch brand replacement parts for In The Ditch brand products.
- Failure to do so may result in voiding any applicable warranty and serious bodily injury or death.

Product Specific Information

 **Failure to follow the safety guidelines listed may result in voiding any applicable warranty, serious bodily injury, or death.**  It is very important that you properly fill out your product registration form at registration.intheditch.com to register your equipment. By submitting the information within 15 days of your purchase, your warranty will be validated, ensuring that your equipment will be protected subject to the terms and conditions set out herein. In the event we need to contact you concerning your registered equipment, Product Updates, Service Bulletins, or Product Recalls, the information you have provided on the product re notification. Do your part and let us help you by filling out your product registration form.

SAFETY INFORMATION

This manual is supplied for the ITD unit to better familiarize the owner/operator with proper operation and maintenance procedures. The information contained in this manual must be thoroughly understood by all operating and maintenance personnel to ensure the protection of the operator of this unit and to prolong the unit's working life.

LOAD CAPACITY



Do Not exceed maximum load capacity.

- Pro Series Tool Box doors can be used as a step with 400lb. load capacity.
- Do not exceed 400lbs

SAFETY & PRECAUTIONS



Before inspecting, operating, or performing maintenance on this product, read the manual thoroughly and fully understand the contents. Keep this manual in a safe, designated place for future reference!



Due to variances in manufacturers' wrecker bodies, truck bodies and mounting surfaces, ITD cannot provide explicit mounting requirements for every mounting option. These instructions are to serve only as a guideline. Final installation requirements are left to the discretion of a qualified installer.



Always mount at a flat, level surface. Do not mount at an angle!



ITD Brand Tool Boxes and related products are intended to be used solely by towing operators who have the requisite training and experience. If you do not have the requisite experience and training as a towing operator DO NOT USE these products.

SECUREMENT

It is the driver / operator's responsibility to ensure that nothing can come loose from any part of the truck or transport vehicle, or the vehicle being towed. It is the operator's responsibility to make sure that all items are in good working order and are properly secured!

MODIFICATION

DO NOT modify or tamper with any ITD product. Doing so will void any applicable warranty and may result in serious injury or death. • Warranties will be voided if any ITD Product is modified or tampered with!

INSPECTION

ITD requires that each operator of a truck or transport vehicle perform a detailed circle check before and after each use of the truck or transport vehicle. This inspection must include the power unit, the towing unit, and all items installed on the unit.

- Do not take chances with your life or other people's lives. Make sure all items are secured and in safe working order.
- Always inspect products for any signs of paint cracking, metal fatigue or premature wear.
- Maintain a visual inspection along with grabbing the products and wiggling or pulling on it to make sure there is no way anything can become dislodged from its mount.
- Remove from service immediately if repairs are needed. Do not take chances.


MIXING & MATCHING PRODUCTS

- Only use In The Ditch brand mounts with In The Ditch brand products.
- Only use In The Ditch brand replacement parts for In The Ditch brand products.



• ALWAYS FOLLOW STATE & LOCAL GUIDELINES!



Failure to follow the safety guidelines listed may result in voiding any applicable warranty, serious bodily injury, or death.  It is very important that you properly fill out your product registration form at registration.intheditch.com to register your equipment. By submitting the information within 15 days of your purchase, your warranty will be validated, ensuring that your equipment will be protected subject to the terms and conditions set out herein. In the event we need to contact you concerning your registered equipment, Product Updates, Service Bulletins, or Product Recalls, the information you have provided on the product registration form will ensure your immediate notification. Do your part and let us help you by filling out your product registration form.

MAINTENANCE



It is the operator's responsibility to inspect before each use. Inspection should be a part of the operator's daily circle check of the vehicle

Visual Inspection

Before each use, perform a thorough visual inspection of the unit and all accessories.

Inspect for:


- Evidence of physical damage such as cracking
- Bending
- Deformation of plates and welds
- Cracking or flaking of powder coat or paint
- Loose rivets or bolts

Maintenance

- Keep clean and free of debris.
- Avoid pressure washing directly behind stainless steel panels.
- Check tightness of hardware and tighten as needed.

If any unusual conditions exist, contact ITD and remove the equipment from service immediately. Repair or replace the necessary components with ITD certified parts. Only use In The Ditch approved replacement parts. Failure to do so could result in damage, injury or death!

 **Failure to follow the safety guidelines listed may result in voiding any applicable warranty, serious bodily injury, or death.**

 It is very important that you properly fill out your product registration form at registration.intheditch.com to register your equipment. By submitting the information within 15 days of your purchase, your warranty will be validated, ensuring that your equipment will be protected subject to the terms and conditions set out herein. In the event we need to contact you concerning your registered equipment, Product Updates, Service Bulletins, or Product Recalls, the information you have provided on the product registration form will ensure your immediate notification. Do your part and let us help you by filling out your product registration form.

1

How to select the correct Quick™ Mount

Measure the distance between your truck deck and frame to determine what type of deck you have.

For decks that are roughly 4" - 6" above the truck chassis.

SUGGESTED MOUNT

ITD1580
20.5" Quick™ Mounts to mount tool box(es)

For decks that are roughly 6" - 8" above the truck chassis.

SUGGESTED MOUNT

ITD1588
18.5" Quick™ Mounts to mount tool box(es)

For decks that are roughly 8" - 10" above the truck chassis.

SUGGESTED MOUNT

ITD1584
16.5" Quick™ Mounts to mount tool box(es)

For decks that are roughly 10" - 11" above the truck chassis.

SUGGESTED MOUNT

ITD1581
14.5" Quick™ Mounts to mount tool box(es)

WARNING

For installation please use as guideline only.

2 Measure Your Usable Truck Space

Measure from first obstruction to front of rear tire

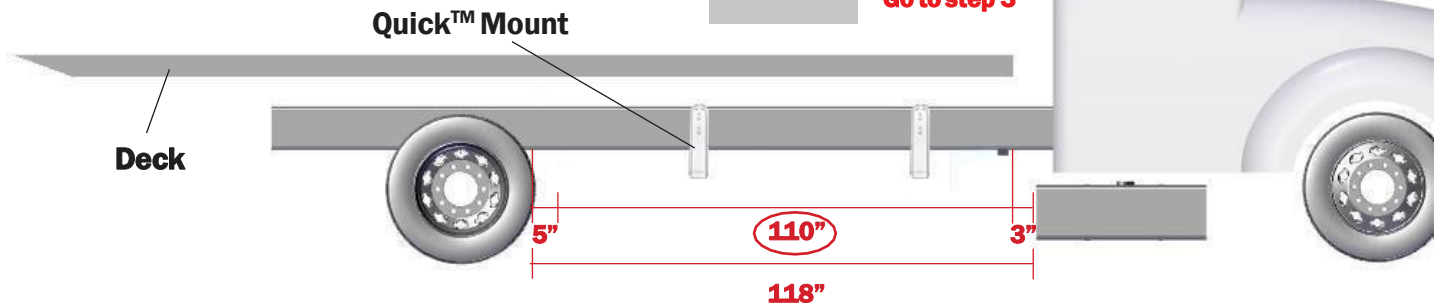
Subtract a minimum of 5" for Wheel Clearance

Subtract a minimum of 3" from first obstruction

Total Usable Space for Pro Series™ Tool Box Configuration =

Example	Your Truck
118"	_____
-5"	5"
-3"	3"
110"	_____ 2A

Go to step 3



3 Choose Your Pro Series™ Tool Box(es)

Total Usable Space for Pro Series™ Tool Box Configuration →

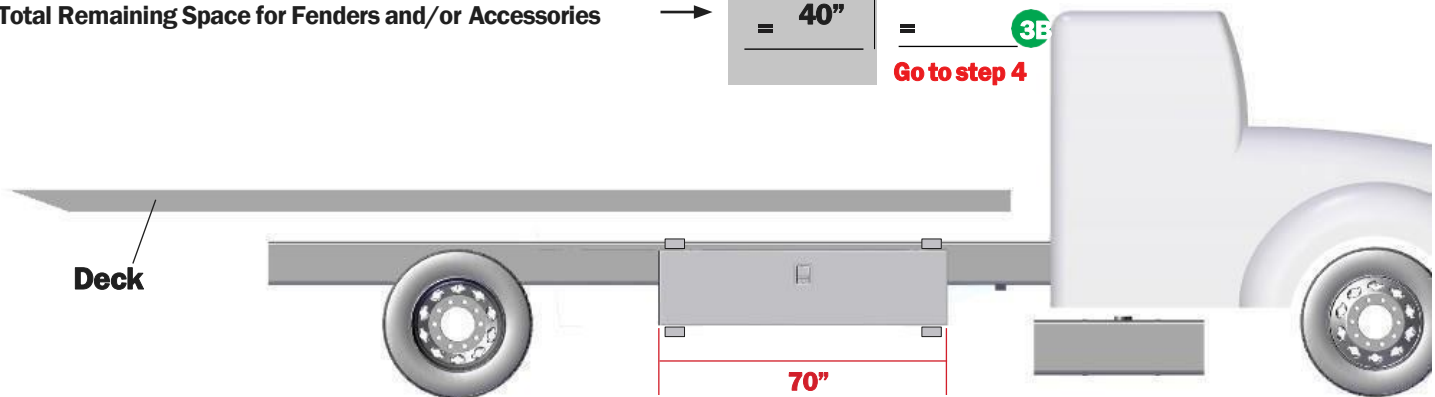
Subtract Total Length of Tool Box(es) →

Pick any tool box or combination of tool boxes to get this measurement

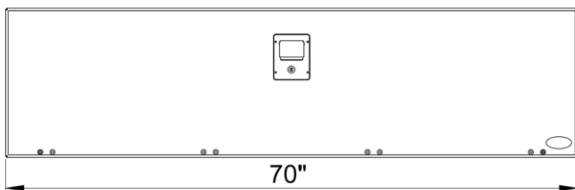
Total Remaining Space for Fenders and/or Accessories →

Example	Your Truck
110"	_____ 2A
-70"	- _____ 3A Length of Tool Box Chosen
40"	_____ 3B

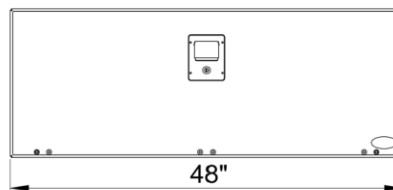
Go to step 4



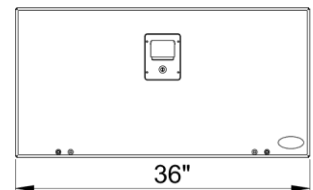
Lengths of Pro Series™ Tool Boxes to Choose From:



70" Pro Series™ Tool Box ITD1570



48" Pro Series™ Tool Box ITD1548



36" Pro Series™ Tool Box ITD1536

4

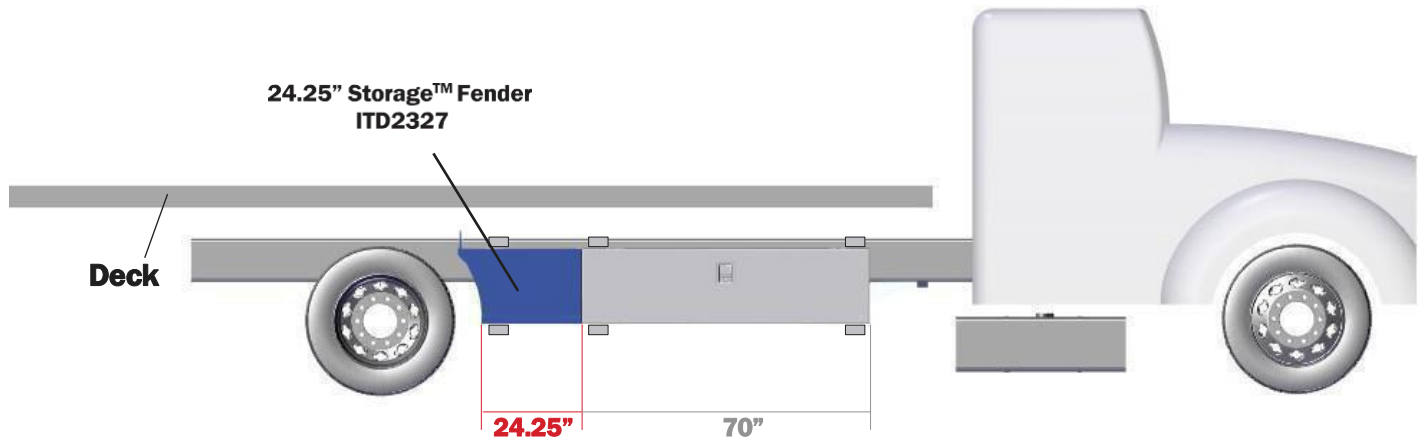
Choose Your Storage™ Fender

Pro Series™ Tool Box and Fender Combination

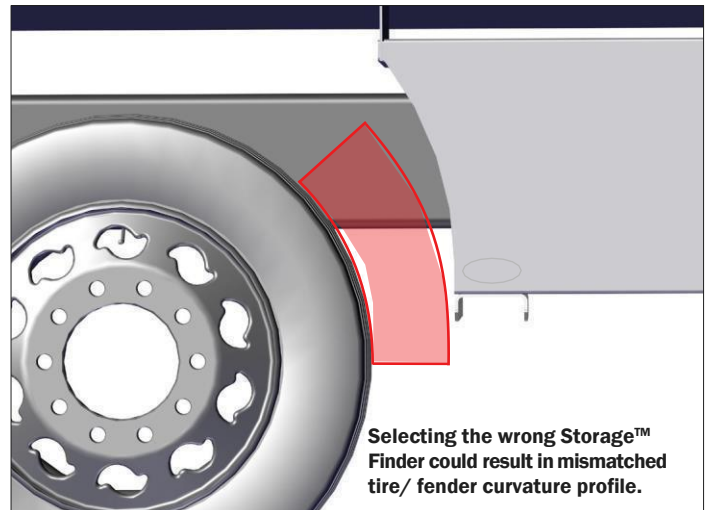
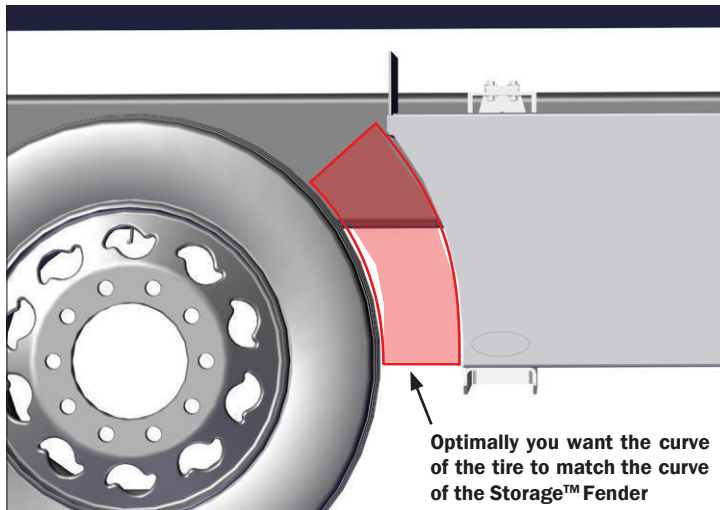
Move Tool Box location forward, closer to obstruction/chassis (Leave minimum of 3" clearance. See step 2.)

	Example	Your Truck
Total Usable Truck Space	110"	2A
Total Length of Tool Box(es)	-70"	3A
Total Remaining Space	=40"	3B
Subtract BOTTOM LENGTH of Storage™ Fender	-24.25"	4A
Total Remaining Space for Accessories	= 15.75" =	4B

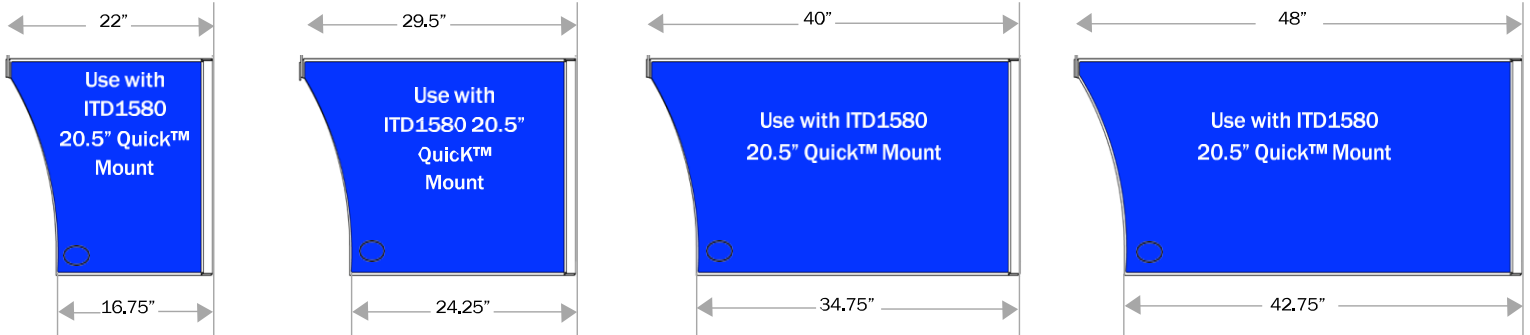
Go to step 5



We have four different styles of Storage™ fenders, each of which accommodates a different wheel curvature. Each of these styles is available in four sizes (Grouped and color-coded on the page to the right). This gives the truck installer sixteen different Storage™ Fenders to choose from, and allows them to select the best profile for any given usable truck space.



Storage™ Fenders to Choose From:

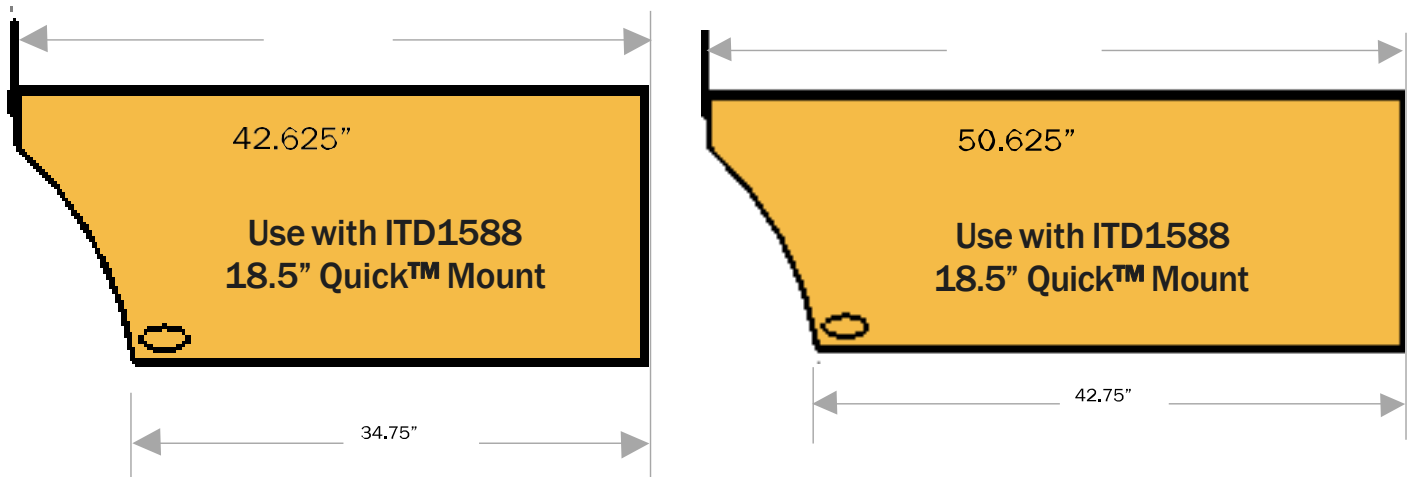


**16.75" Storage™
Fender ITD2328**

**24.25" Storage™
Fender ITD2327**

**34.75" Storage™
Fender ITD2329**

**42.75" Storage™
Fender ITD2333**



**34.75" Storage™
Fender ITD2592**

**42.75" Storage™
Fender ITD2591**

5

Choose Your Accessories

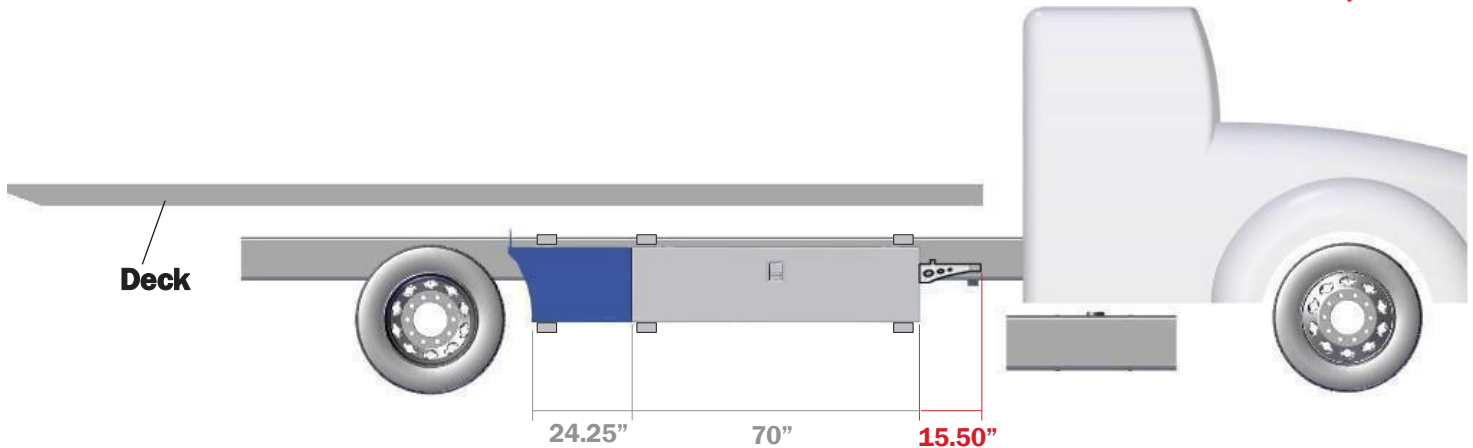
Pro Series™ Tool Accessory Combination

Subtract length of accessory product on front of tool box first, then calculate length of fender

- Total Usable Truck Space →
- Total Length of Tool Box(es) →
- Total Bottom Length of Storage™ Fender →
- Total Remaining Space →
- Subtract length of accessory →
- Total Remaining Space →

Example	Your Truck
110"	2A
-70"	3A
-24.25"	4A
= 15.75"	4B
-15.50"	5A
= 0.25"	

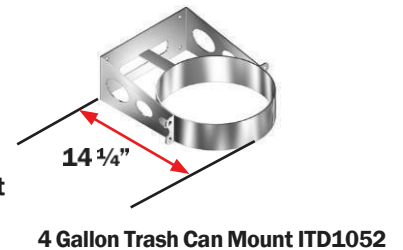
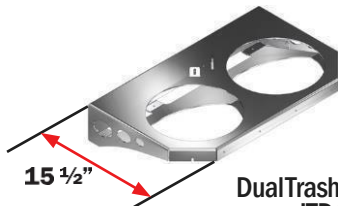
Go to step 6



We recommend you bolt the tool box and fender together on the shop floor, then place on Quick™ Mounts and center for the best look.

Accessories to Choose From:

This is a small selection of accessories to choose from. Go to www.intheditch.com for a complete selection of Pro Series™ Tool Box accessories.



6

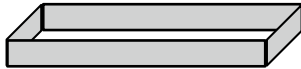
Measure your configuration for Box Top Trays

Measure the TOP of your Tool Box/Fender configuration. Refer to products below for dimensions.

Available sizes of Box Top Trays

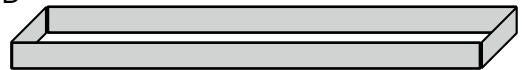
ITD1066
ITD1066-D

36" Long x 4" Tall



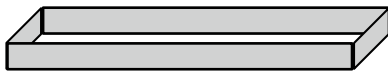
ITD1122
ITD1122-D

65" Long x 4" Tall



ITD1121
ITD1121-D

48" Long x 4" Tall



ITD1098
ITD1098-D

60" Long x 4" Tall



ITD1067
ITD1067-D

70" Long x 4" Tall



Example Your Truck

Total Length of Tool Box(es) → 70" ^{3A}

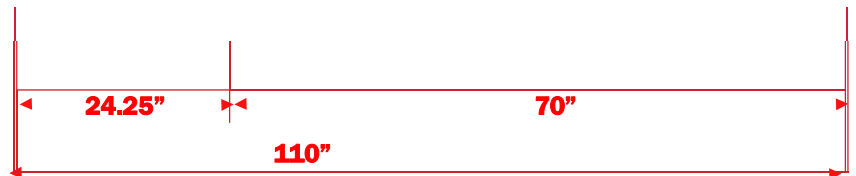
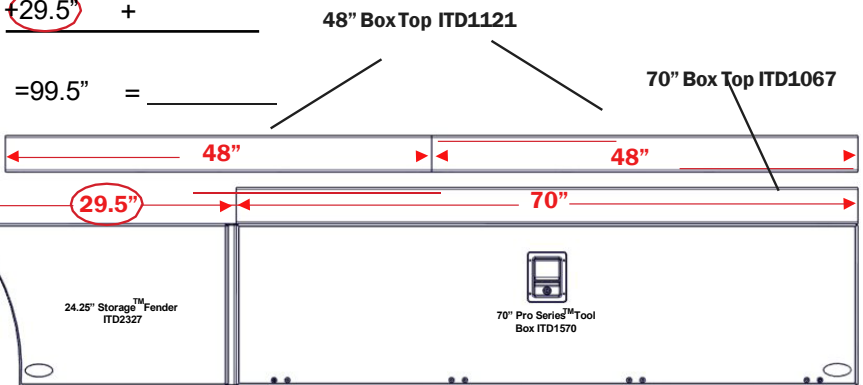
Length of TOP of Storage™ Fender → 29.5" +

Available Space for Box Top Trays

choose Box Top or combination of Box Tops closest in length to your available space.

In the example below, we used

(2) 48" Box Top Trays, equaling 96".



Example of configuration with Storage™

Fender and Box Tops full length of



Example of configuration with Storage™ Fender and Box Tops over tool box only



QUICK[™] MOUNTS



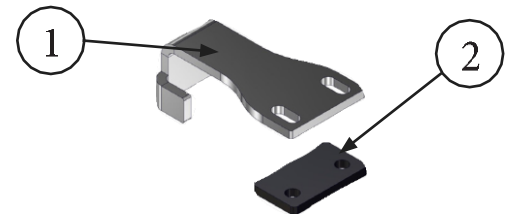
Covering Models

PART#	DESCRIPTION
ITD1580	20.5" Tuff Coat Black
ITD1580-GLV	20.5" Galvanized
ITD1588	18.5" Tuff Coat Black
ITD1588-GLV	18.5" Galvanized
ITD1584	16.5" Tuff Coat Black
ITD1581	14.5" Tuff Coat Black



Will work with most inboard or outboard tilt cylinders. Relief on ITD1580 and ITD1580-GLV will clear most hydraulic tanks. Mounting hardware is NOT included with this product.

OPTIONAL ACCESSORIES		
ITEM#	PART#	DESCRIPTION
1	ITD6268	Quick™ Mount Hang Tab
2	ITD6340	Quick™ Mount Spacer



Quick™ Mount Stop Tab

ITD Quick™ Mounts come with a pre-bent stop tab for easy installation of Pro Series™ Tool Boxes. If you choose not to use the stop tab, flatten down with a hammer.



WARNING

Read all safety warnings & instructions carefully before mounting or operating your mount



Ensure you have the correct Quick™ Mount

Measure the distance between your truck deck and frame to determine what type of deck you have.

For decks that are roughly 4" - 6" above the truck chassis.

SUGGESTED MOUNT

ITD1580
20.5" Quick™ Mounts to mount tool box(es)

For decks that are roughly 6" - 8" above the truck chassis.

SUGGESTED MOUNT

ITD1588
18.5" Quick™ Mounts to mount tool box(es)

For decks that are roughly 8" - 10" above the truck chassis.

SUGGESTED MOUNT

ITD1584
16.5" Quick™ Mounts to mount tool box(es)

For decks that are roughly 10" - 11" above the truck chassis.

SUGGESTED MOUNT

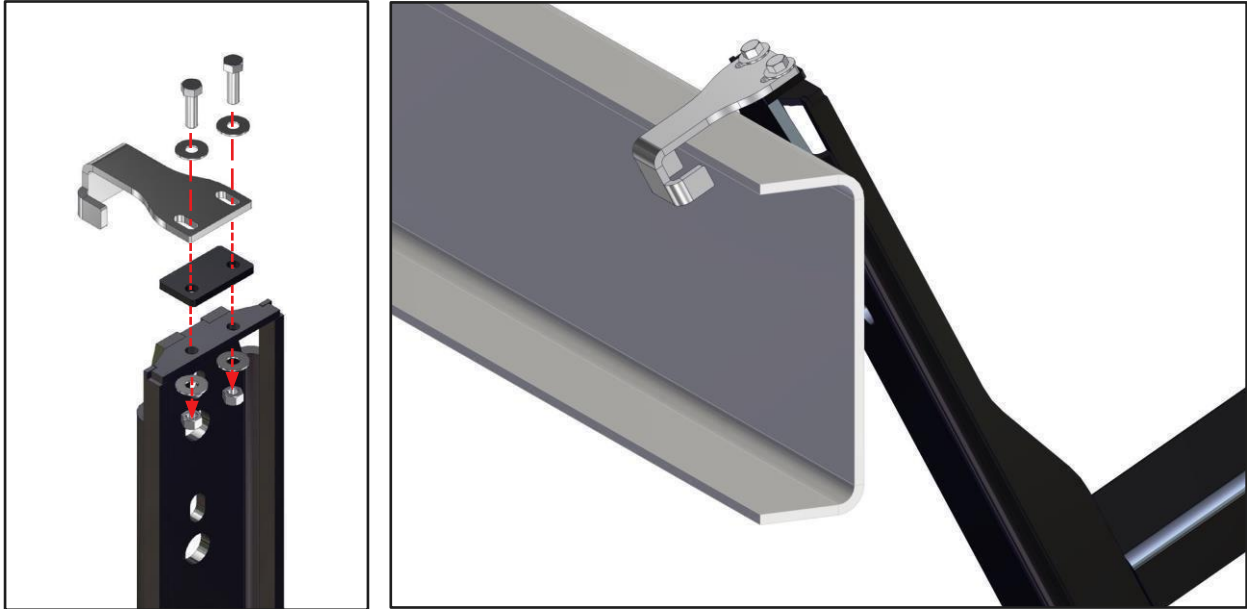
ITD1581
14.5" Quick™ Mounts to mount tool box(es)

WARNING

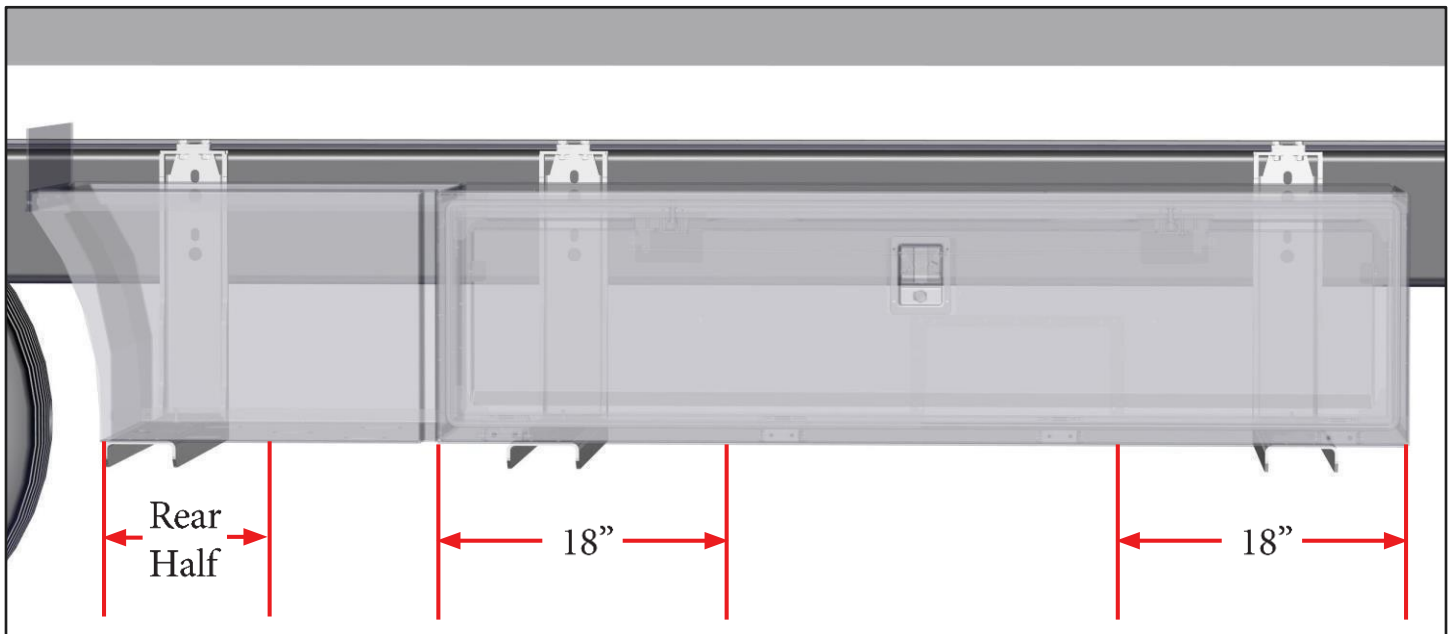
For installation please use as guideline only.

Quick™ Mount Installation

- 1 **Hang Quick™ Mounts**
Install Quick™ Mount Hang Tab onto the Quick™ Mount. Hang the Quick™ Mount from the frame rail.



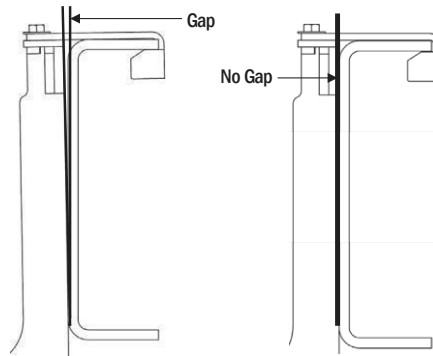
- 2 **Mount Locations**
Quick™ Mount must be located within 18" of the ends of each box. Use a minimum of 2 Quick™ Mounts per Pro Series™ Tool Box and 1 for each Storage™ Fender. If you are going to exceed 600lbs. total load limit. We recommend 3 Quick™ Mounts on a Pro Series™ Tool Box.



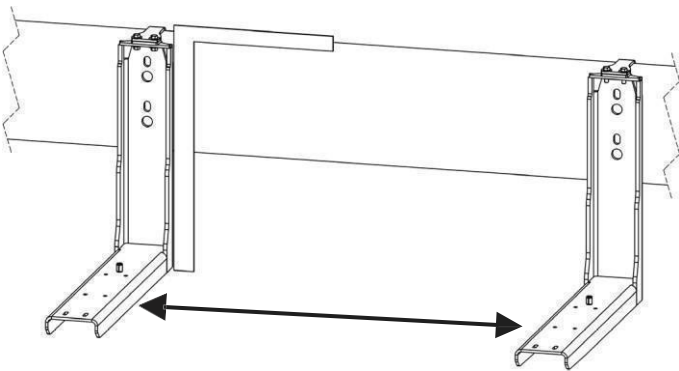
Number of Quick™ Mounts Needed

Each Pro Series™ Tool Box requires a minimum (2) Quick™ Mounts. Each Storage™ Fender requires (1) Quick™ Mount for support.

3 Verify Mount is Flush to Frame



4 Position Tool Box Mounts

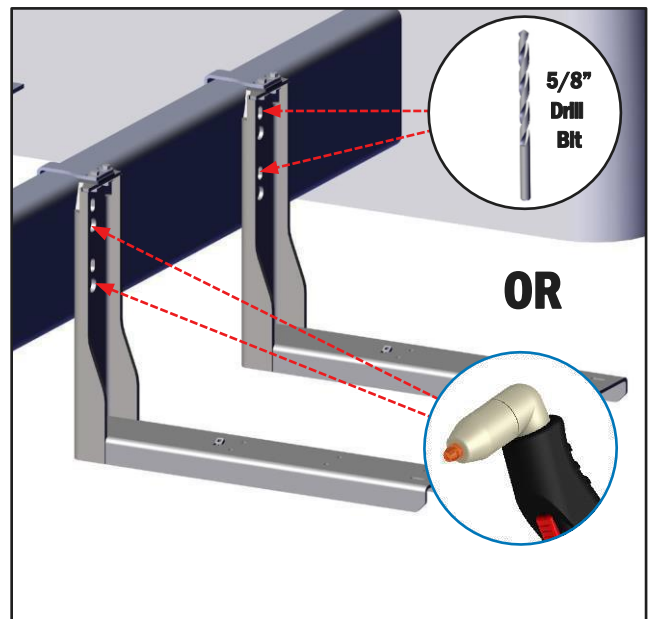
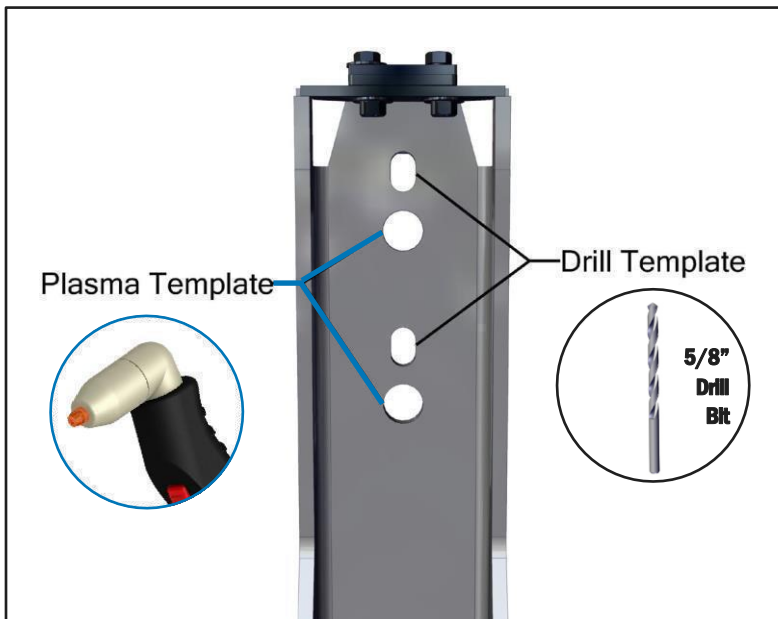


Once mounts are in position, check square with the top of the frame to make sure they are sitting plumb to the truck.

Each mount is rated for 300lb. Toolboxes require a minimum of 2 mounts each. Storage fenders require 1 mount each. Additional mounts may be required, this is up to the discretion of the installer.

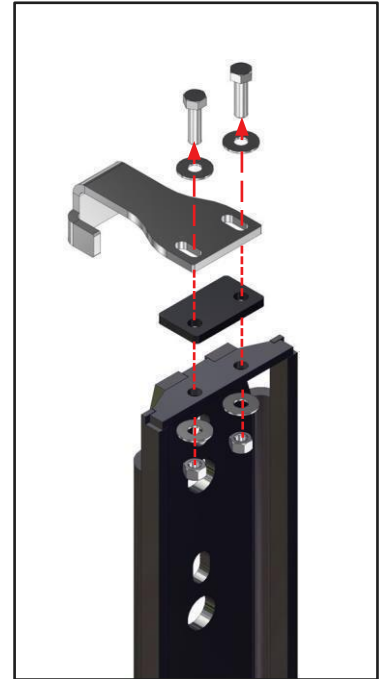
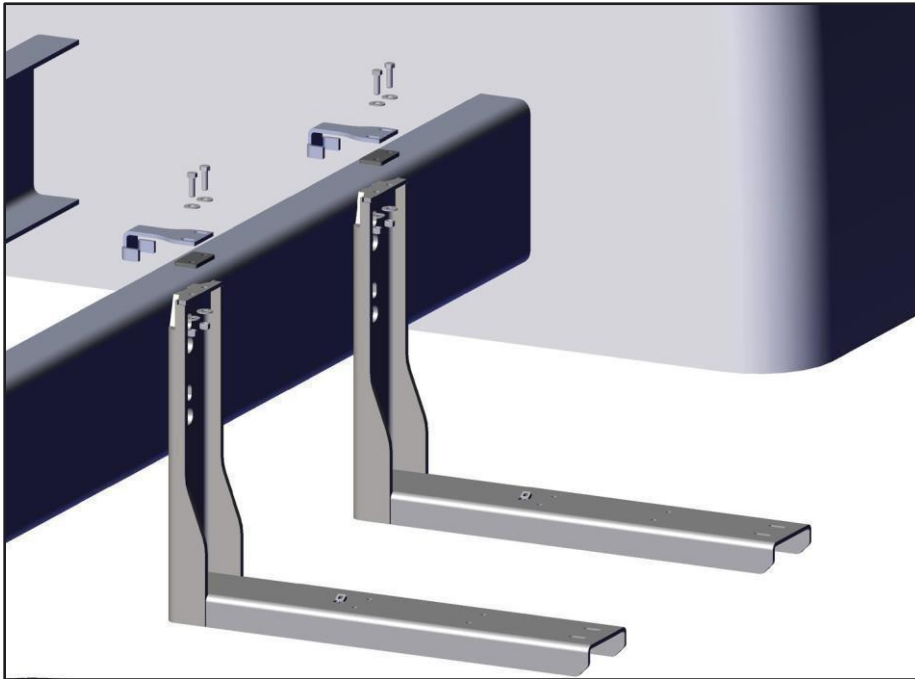
5 Mounting Templates

Quick™ Mounts are designed with pre-install mounting templates to plasma cut or drill mounting holes in the truck frame. Use the templates to quickly and easily install the Quick™ Mounts.



Use minimum of two(2) -5/8" grade 5 bolts to install mount to frame. Bolts must be properly torqued for installation. Mounting hardware NOT included.

- 6 Remove Quick™ Mounts Hang Tabs
 Once the Quick™ Mounts are securely mounted to the frame rail, remove the Quick™ hang tabs.



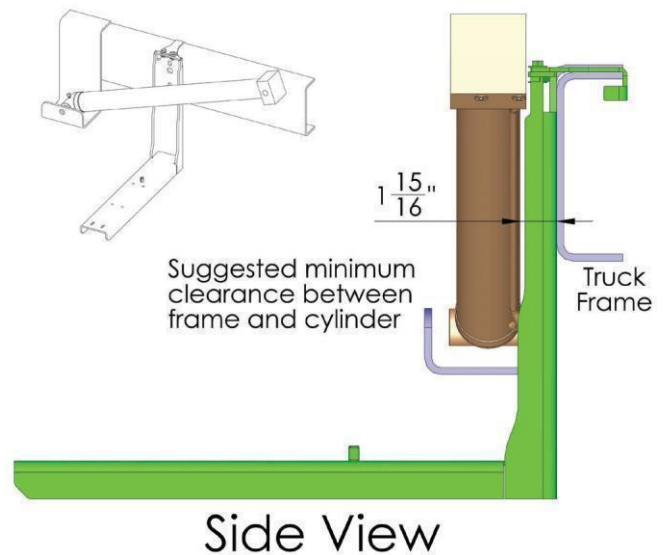
Keep tabs for future installations

Number of Quick™ Mounts Needed

Each Pro Series™ Tool Box requires a minimum (2) Quick™ Mounts. Each Storage™ Fender requires (1) Quick™ Mount for support.

Carrier with outboard tilt cylinders

Outboard tilt cylinders are a special application that requires additional measurements before mounting. With the wide variety of chassis/bed configurations available, verification of clearance should be done prior to mounting.



WARNING

Check for adequate bed clearance before mounting Tool Boxes, Box Tops, or Lumber Baskets.



PRO SERIES™ & POWER LOCK™ REMOTE LOCKING TOOL BOX



208-587-7960

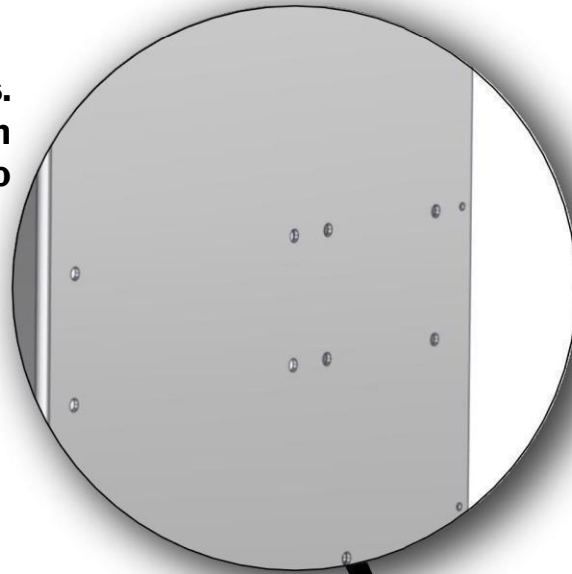
www.intheditch.com

Covering Models

PART#	DESCRIPTION
ITD1536	36" Pro Series™ Tool Box
ITD1548	48" Pro Series™ Tool Box
ITD1660	60" Pro Series™ Tool Box
ITD1570	70" Pro Series™ Tool Box

Pro Series™ Tool Boxes pre drilled accessory mounting holes

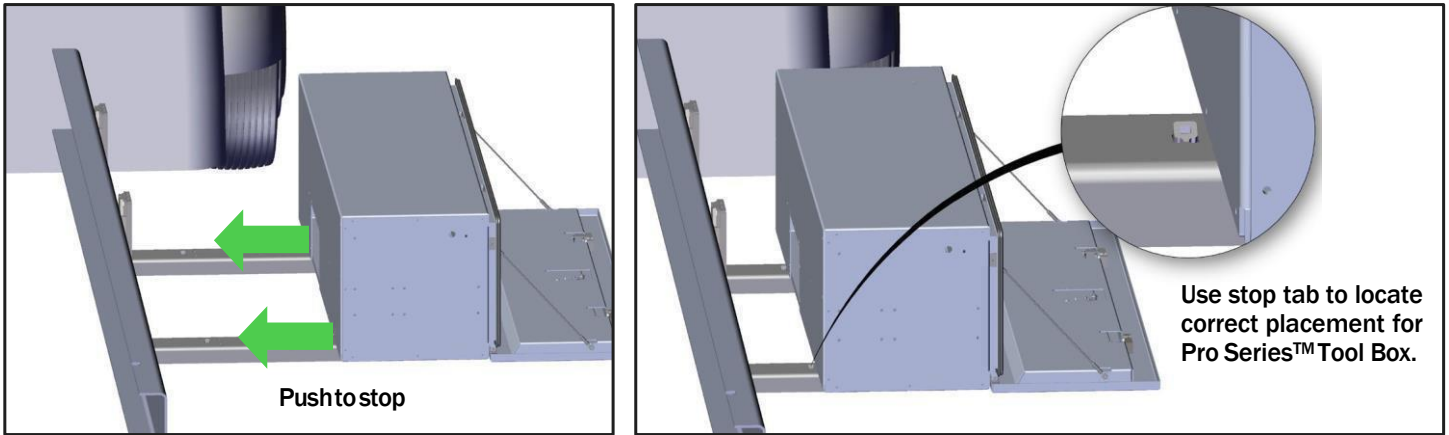
Pre-drilled for In The Ditch™ accessories. Just pop out the plastic plug and bolt in your favorite accessory. No drilling, no measuring - it's that simple.



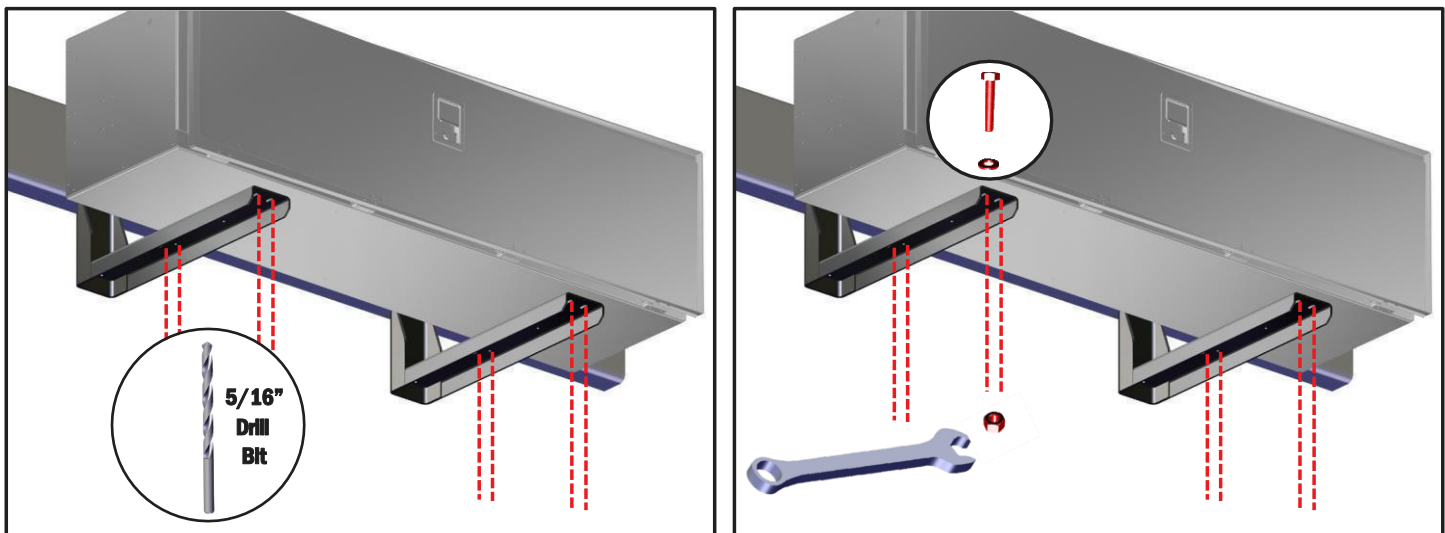
400lb. Load Rating

Pro Series™ Tool Box doors can be used as a step with a 400lb. load rating

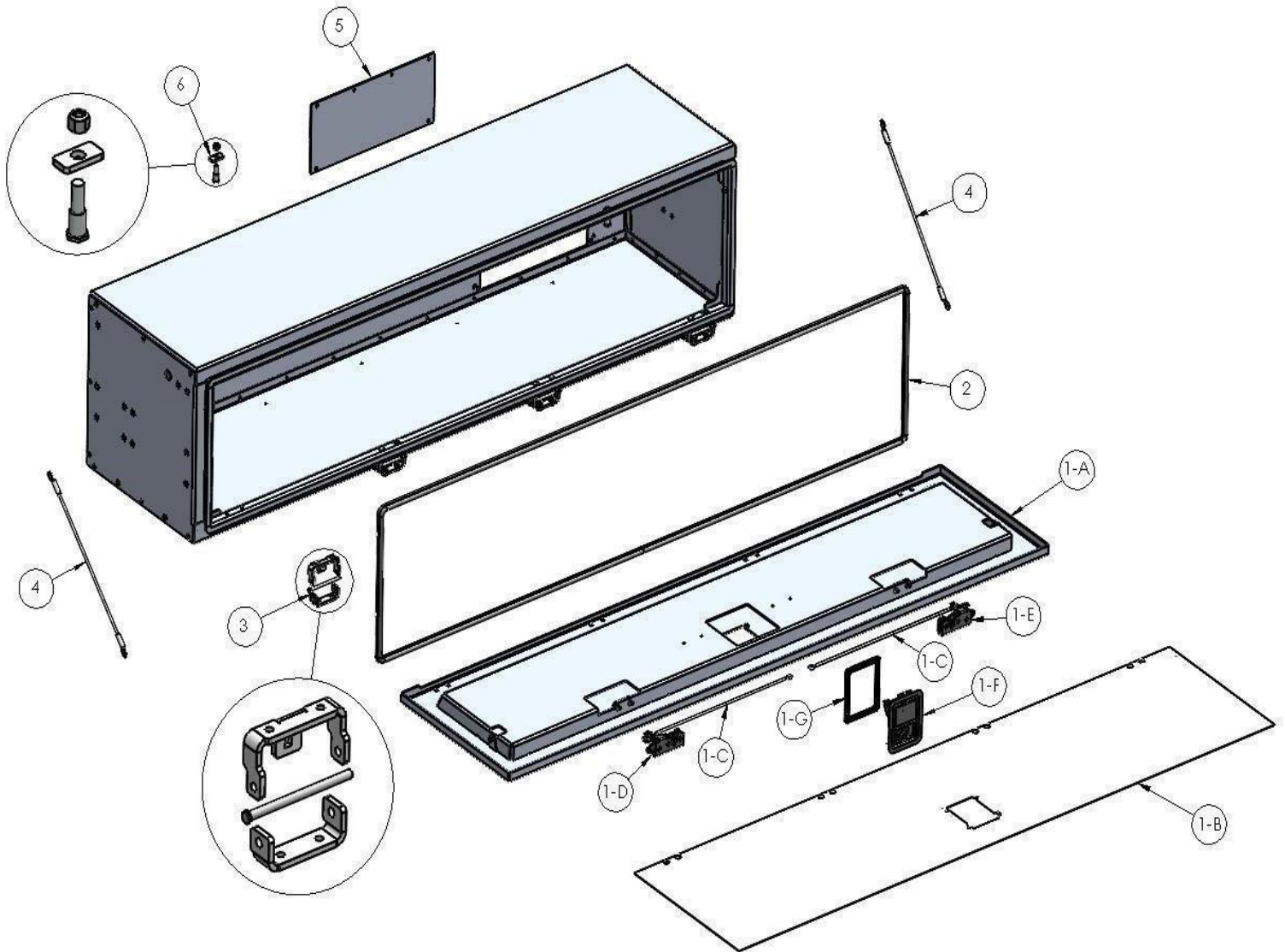
- 1 **Set Pro Series™ Tool Box**
Set Pro Series™ Tool Box on Quick™ Mounts, make sure to check fore and aft measurements. The stop tab is used to quickly align tool box. If you want to set tool box in closer to the frame, simply bend stop tab down with a hammer.



- 2 **Drill & Bolt Pro Series™ Tool Box**
Drill four 5/16" holes through the tool box per Quick™ Mount, two in the front and two in rear of box. When mounting Pro Series™ Tool Box on Quick™ Mounts, it is recommended to use a minimum of eight 5/16" flanged hex nuts and bolts.



PRO SERIES™ Tool Box



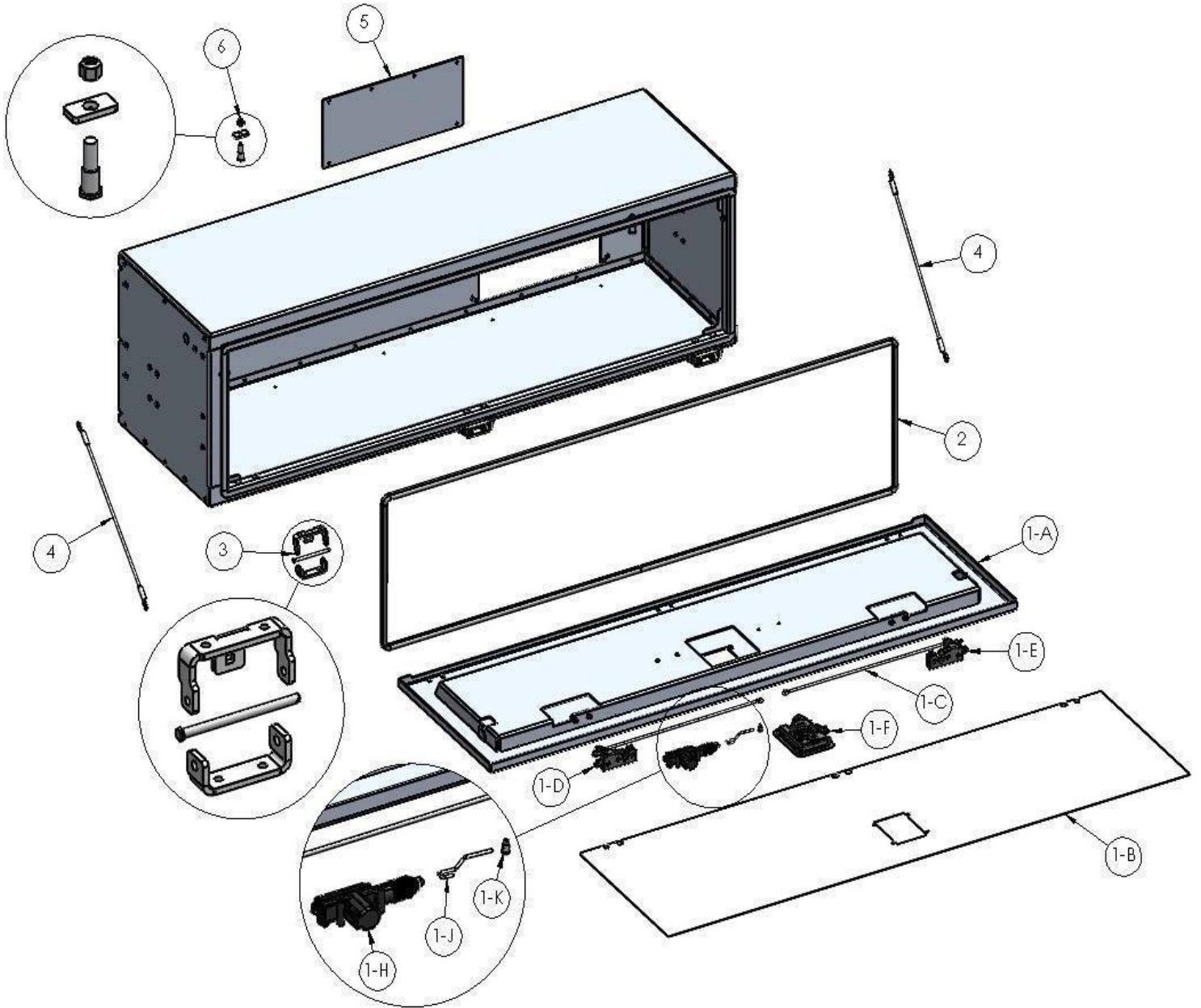
ITD PRO SERIES™ TOOL BOX

ITD Pro Series™ Tool Box Parts			
Item#	Part	Description	QTY
36" Pro Series™ Toolbox			
1 - A	ITD6304	Complete 36" Door Assembly (Stainless Hinges Included, See Item #3)	1
1 - B	ITD6305	36" Replacement Stainless Steel Panel (Includes 3M Adhesive Tape)	1
1 - C	ITD7115	8" Connection Rod (For 36" Door)	2
48" Pro Series™ Tool Box			
1 - A	ITD6284	Complete 48" Door Assembly (Stainless Hinges Included, See Item #3)	1
1 - B	ITD6285	48" Replacement Stainless Steel Panel (Includes 3M Adhesive Tape)	1
1 - C	ITD7114	14.5" Connection Rod (For 48" Door)	2
60" Pro Series™ Tool Box			
1 - A	ITD1655	Complete 60" Door Assembly (Stainless Hinges Included, See Item #3)	1
1 - B	ITD1656	60" Replacement Stainless Steel Panel (Includes 3M Adhesive Tape)	1
1 - C	ITD7110	20" Connection Rod (For 60" & 70" Door)	2
70" Pro Series™ Tool Box			
1 - A	ITD6259	Complete 70" Door Assembly (Stainless Hinges Included, See Item #3)	1
1 - B	ITD6261	70" Replacement Stainless Steel Panel (Includes 3M Adhesive Tape)	1
1 - C	ITD7110	20" Connection Rod (For 60" & 70" Door)	2
All Pro Series™ Tool Box Models			
1 - D	ITD7317	Right Rotary Latch (Fits All Models) Serial# 500657 or newer	1
1 - E	ITD7318	Left Rotary Latch (Fits All Models) Serial# 500657 or newer	1
1 - F	ITD23396	Paddle Latch w/ Free Wheeling Cam (Fits All Models) Serial# 500657 or newer	1
1 - G	ITD7111	Gasket - For Paddle Latch (Fits All Models)	1
2	ITD7112	Door Gasket (Custom cut to fit each Pro Series™ Tool Box model)	1
3	ITD6408	Stainless Hinge Assembly (Includes Both Sides of Hinge)	3 or 4
4	ITD7116	18" Cable Lanyard	2
5	ITD6008	Cover Plate (For ITD1570 and ITD1548 ONLY)	1
6	ITD6409	Striker Assembly (Includes Striker, Stainless Back Plate, Nut)	2

ATTENTION

Please Note: Due to contributing factors beyond our control that could cause rust, staining, or discoloration of Polished Surfaces, In The Ditch Towing Products does not warranty polished stainless steel panels. In an effort to keep your stainless looking its best, please visit www.intheditch.com to find the best practices for maintaining your polished stainless steel products. By following our maintenance recommendation, your polished stainless steel should look great for years to come.

POWER LOCK™ REMOTE LOCKING TOOL BOX

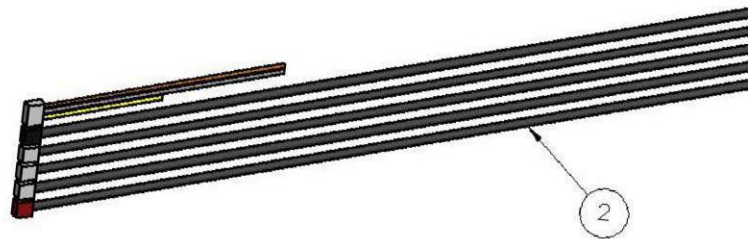
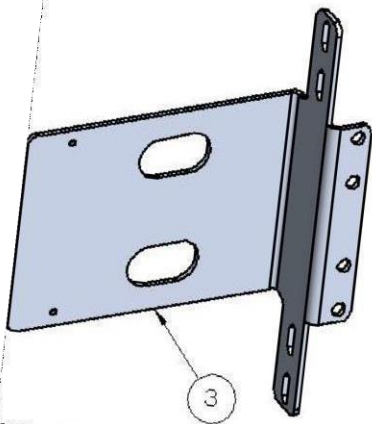
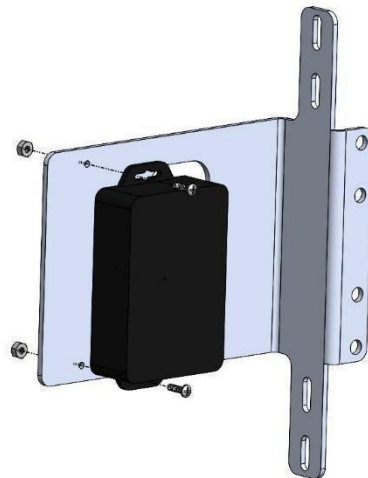
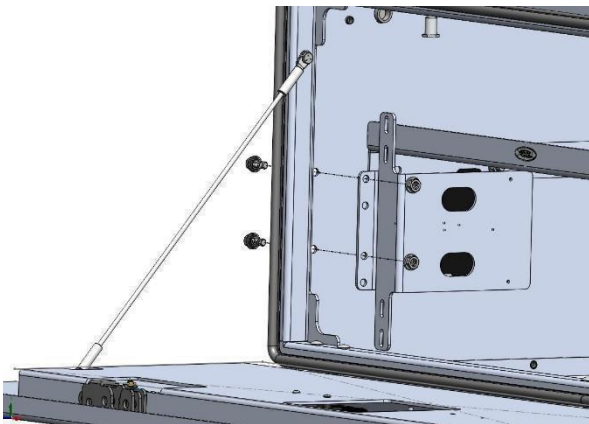
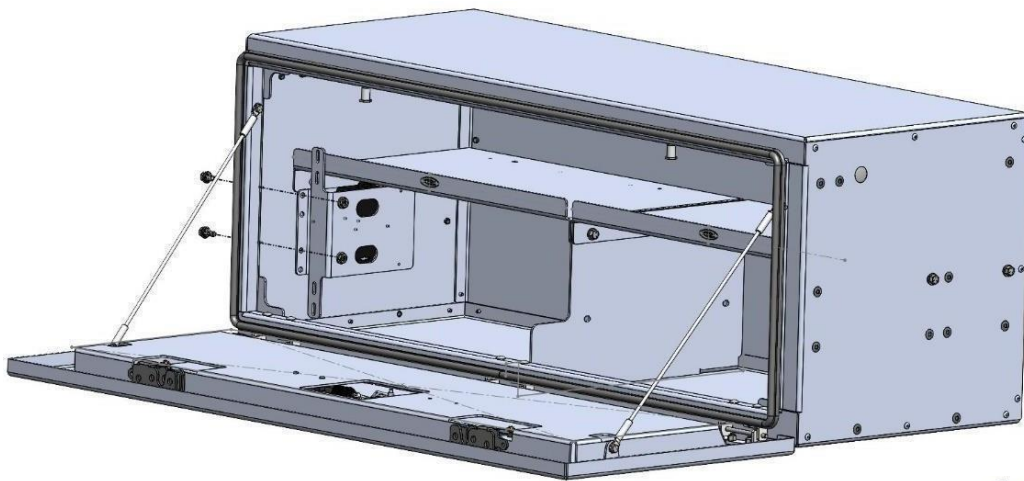


ITD POWER LOCK™ REMOTE LOCKING TOOL BOX

ITD PowerLock Remote Locking Tool Box Parts			
Item #	Part	Description	QTY
36" ProSeries™ Tool Box			
1 - A	ITD6304	Complete 36" Door Assembly (Stainless Hinges Included, See Item #3)	1
1 - B	ITD6305	36" Replacement Stainless Steel Panel (Includes 3M Adhesive Tape)	1
1 - C	ITD7115	8" Connection Rod (For 36" Door)	2
48" ProSeries™ Tool Box			
1 - A	ITD6284	Complete 48" Door Assembly (Stainless Hinges Included, See Item #3)	1
1 - B	ITD6285	48" Replacement Stainless Steel Panel (Includes 3M Adhesive Tape)	1
1 - C	ITD7114	14.5" Connection Rod (For 48" Door)	2
60" ProSeries™ Tool Box			
1 - A	ITD1655	Complete 60" Door Assembly (Stainless Hinges Included, See Item #3)	1
1 - B	ITD1656	60" Replacement Stainless Steel Panel (Includes 3M Adhesive Tape)	1
1 - C	ITD7110	20" Connection Rod (For 60" & 70" Door)	2
70" ProSeries™ Tool Box			
1 - A	ITD6259	Complete 70" Door Assembly (Stainless Hinges Included, See Item #3)	1
1 - B	ITD6261	70" Replacement Stainless Steel Panel (Includes 3M Adhesive Tape)	1
1 - C	ITD7110	20" Connection Rod (For 60" & 70" Door)	2
All Pro Series™ Tool Box Models			
1 - D	ITD7317	Right Rotary Latch (Fits All Models) Serial# 500657 or newer	1
1 - E	ITD7318	Left Rotary Latch (Fits All Models) Serial# 500657 or newer	1
1 - F	ITD23396	Paddle Latch W/ Free Wheeling Cam (Fits All Models) Serial# 500657 or newer	1
1 - G	ITD7111	Gasket-For Paddle Latch (Fits All Models)	1
1 - H	ITD23139	Power Actuator For Door Locks (Fits All Models)	1
1 - J	ITD23140	Connecting Rod For Linear Actuator (Fits All Models)	1
1 - K	ITD23141	Linear Actuator Rod Adapter (Fits All Models)	1
2	ITD7112	Door Gasket (Custom cut to fit each Power Lock Remote Locking Toolbox model)	1
3	ITD6408	Stainless Hinge Assembly (Includes Both Sides of Hinge)	3 or 4
4	ITD7116	18" Cable Lanyard	2
5	ITD6008	Cover Plate (For ITD1570 and ITD1548 ONLY)	1
6	ITD6409	Striker Assembly (Includes Striker, Stainless Back Plate, Nut)	2

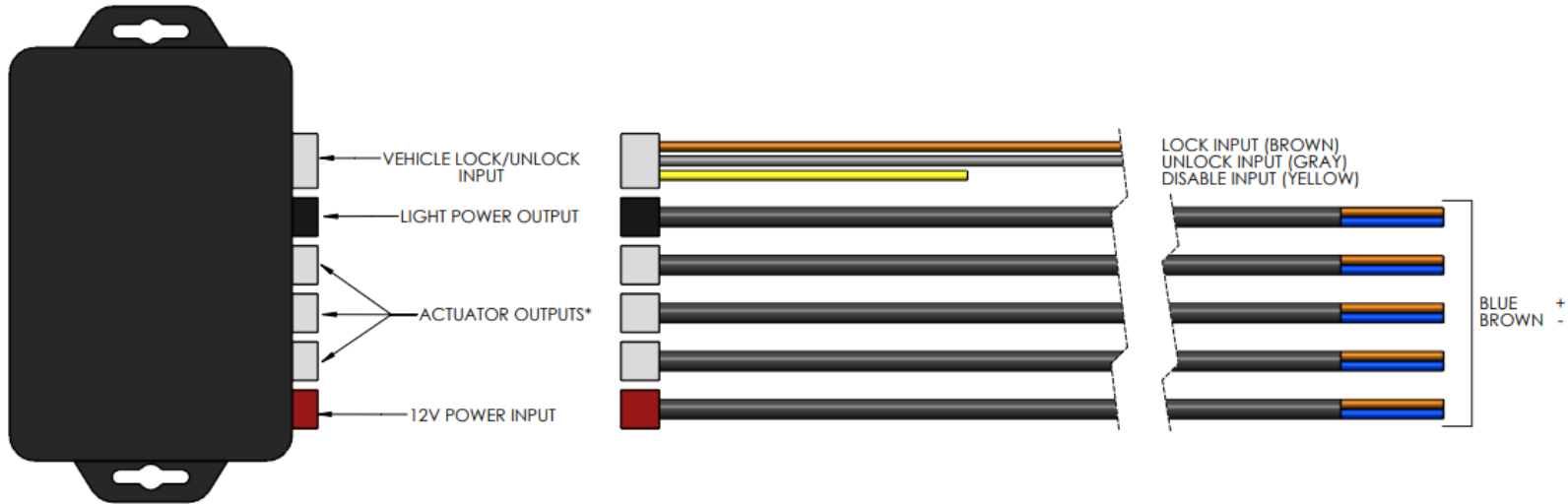
ATTENTION

Please Note: Due to contributing factors beyond our control that could cause rust, staining, or discoloration of Polished Surfaces, In The Ditch Towing Products does not warranty polished stainless steel panels. In an effort to keep your stainless looking its best, please visit www.intheditch.com to find the best practices for maintaining your polished stainless steel products. By following our maintenance recommendation, your polished stainless steel should look great for years to come.



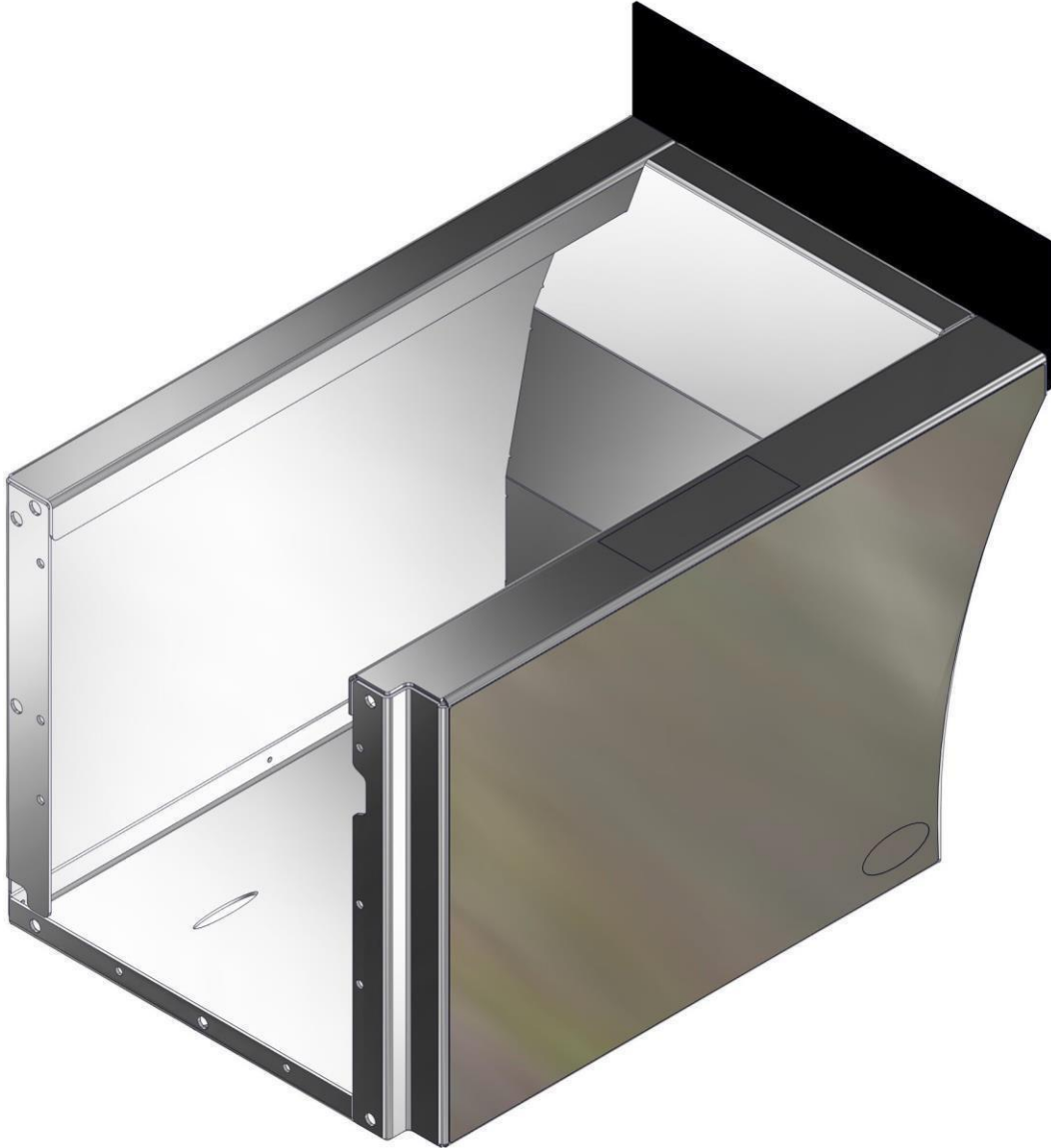
Power Lock Complete Wiring Kit			
ITEM #	PART #	Description	QTY
1	ITD23465	RF Controller W/ 2 Key Fobs	1
2	ITD23466	RF Controller Wiring Harness Kit	1
3	ITD23501	Power Lock Module Mounting Bracket	1

Wiring Instructions



***NOTE- MULTIPLE ACTUATORS CAN BE WIRED INTO EACH OUTPUT EACH ACTUATOR OUTPUT HAS MAX OUTPUT OF 20 AMPS IN THE DITCH ACTUATORS HAVE MAX DRAW OF 4.5 AMPS**


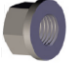
STORAGE[™] FENDERS

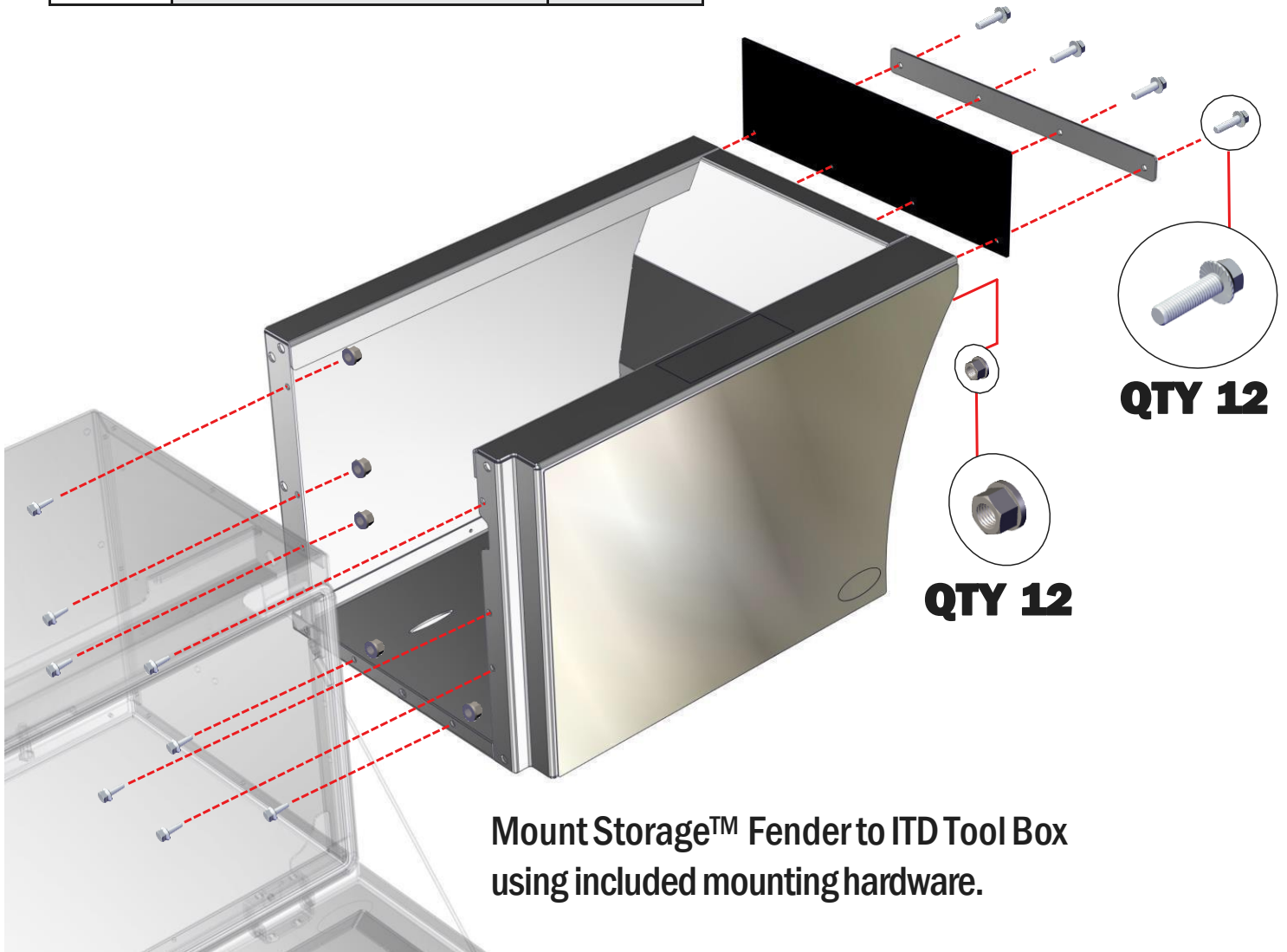


208-587-7960

www.intheditch.com

Storage™ Fender Installation

	DESCRIPTION	QUANTITY
	5/6"- 18X 3/4" FLANGED BOLT	12
	5/16"- 18 FLANGED NUT	12



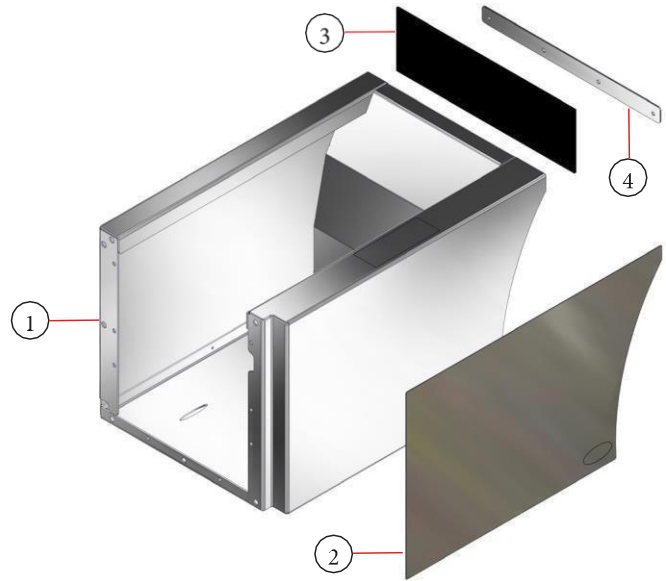
Mount Storage™ Fender to ITD Tool Box using included mounting hardware.

Part Breakdown

ITEM #	DESCRIPTION
1	STORAGE™ FENDER
2	STAINLESSSTEEL PANEL
3	RUBBER GUARD
4	RUBBERGUARD BACKING PANEL

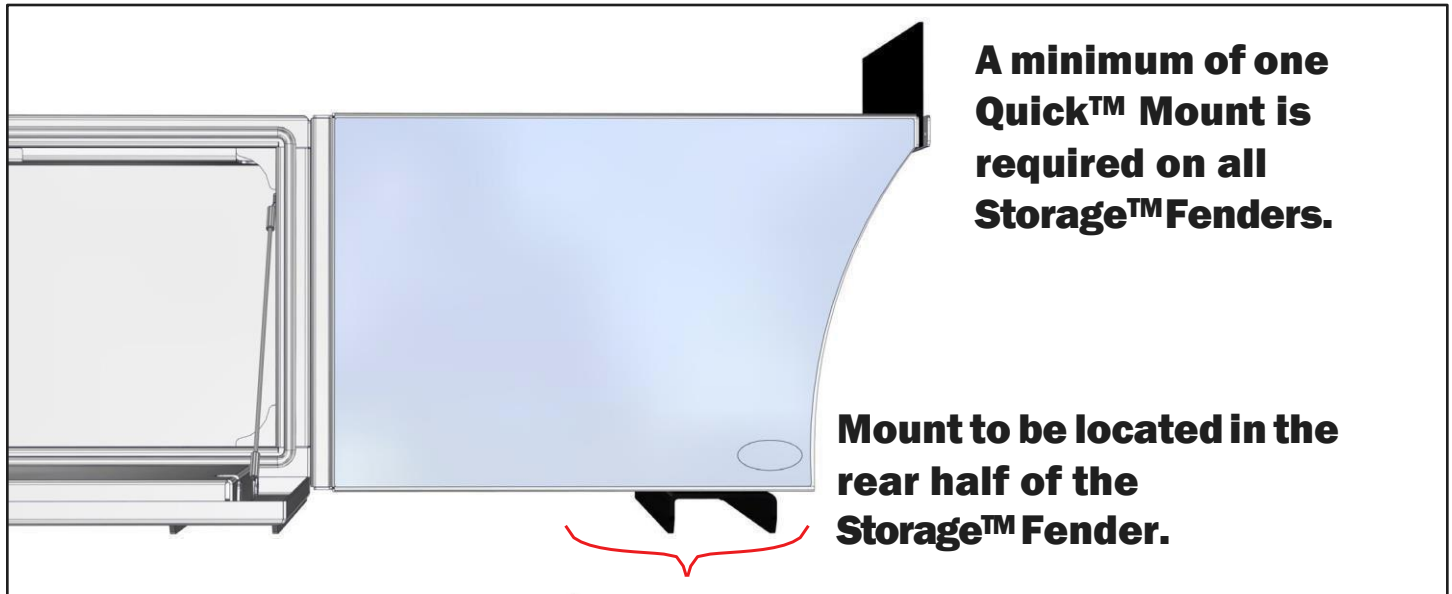
ATTENTION

Stainless Steel products may rust if not properly cared for in extreme conditions. We are not responsible for replacing rusted Stainless Steel if used in extreme environments (such as high in Salt or Chlorine exposure). Do not allow stagnant water to stand on the stainless steel. Always check a small area to see if finish changes before polishing or washing, and be sure not to use abrasive cleaners or brushes.

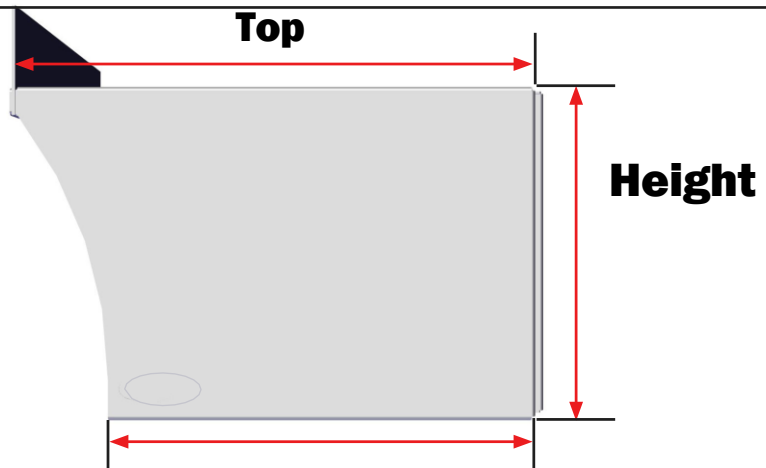


Number of Quick™ Mounts Needed

Each Storage™ Fender requires (1) Quick™ Mount for support.

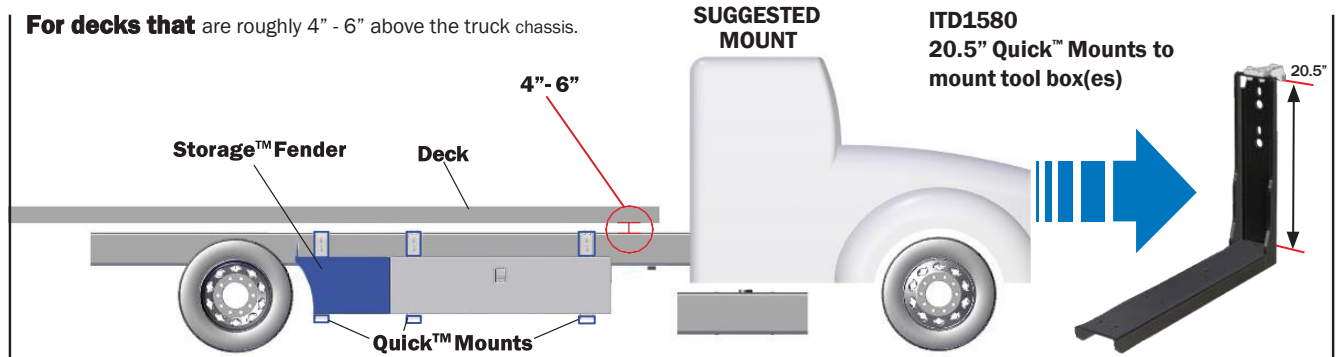
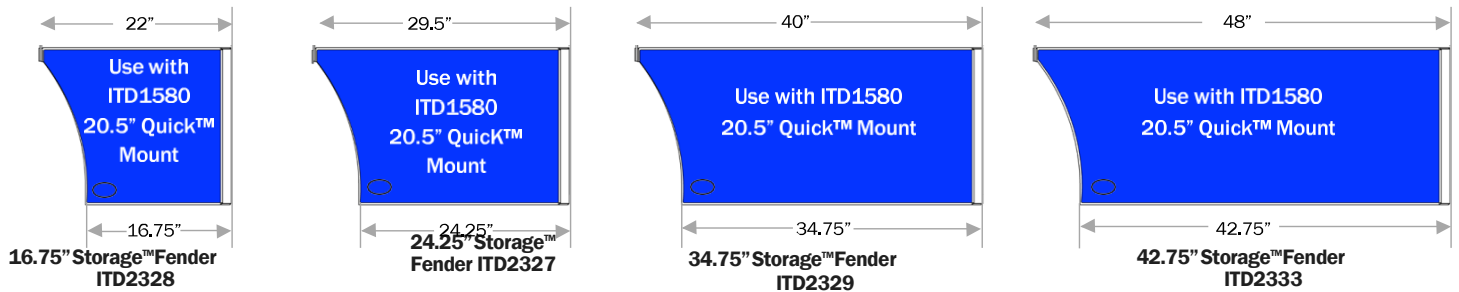


Storage™ Fender Measurement Diagram

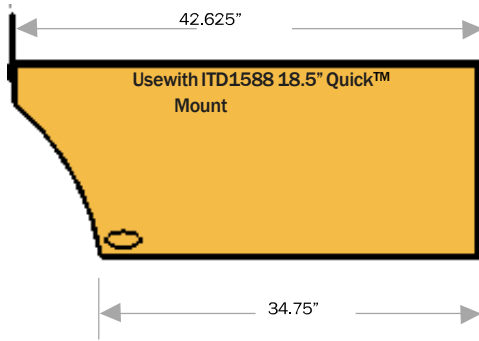


Storage™ Fenders to Choose From

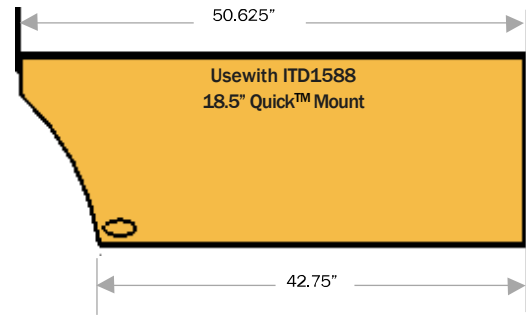
Storage™ Fenders for use with 20.5" Quick™ Mount (ITD1580)				
Part Number	Description	Bottom	Top	Height
ITD2333	Storage™ Fender Set 42.75" (includes 1R & 1L fender with SS Panels installed)	42.75"	48"	18.25"
ITD1333 (R-L)	Storage™ Fender 42.75" (with SS Panels installed, Specify Right or Left Fender)	42.75"	48"	18.25"
Replacement Parts for 42.75" Storage™ Fenders				
ITD1335 (R-L)	42.75" Stainless-steel Panel (Specify Right or Left Fender)	42.75"	48"	18.25"
ITD2329	Storage™ Fender Set 34.75" (includes 1R & 1L fender with SS Panels installed)	34.75"	40"	18.25"
ITD1329 (R-L)	Storage™ Fender 34.75" (with SS Panels installed, Specify Right or Left Fender)	34.75"	40"	18.25"
Replacement Parts for 34.75" Storage™ Fenders				
ITD1334 (R-L)	34.75" Stainless Steel Panel (Specify Right or Left Fender)	34.75"	40"	18.25"
ITD1327 (R-L)	Storage™ Fender 24.25" (with SS Panels installed, Specify Right or Left Fender)	24.25"	29.5"	18.25"
Replacement Parts for 24.25" Storage™ Fenders				
ITD1308 (R-L)	24.25" Stainless Steel Panel (Specify Right or Left Fender)	24.25"	29.5"	18.25"
ITD2328	Storage™ Fender Set 16.75" (includes 1R & 1L fender with SS Panels installed)	16.75"	22"	18.25"
ITD1328 (R-L)	Storage™ Fender 16.75" (with SS Panels installed, Specify Right or Left Fender)	16.75"	22"	18.25"
Replacement Parts for 16.75" Storage™ Fenders				
ITD1332 (R-L)	16.75" Stainless Steel Panel (Specify Right or Left Fender)	16.75"	22"	18.25"
General Replacement Parts				
ITD7117	Rubber Guard Foral storage™ fenders			
ITD6331	Rubber Guard backing plate for all storage™ fenders			



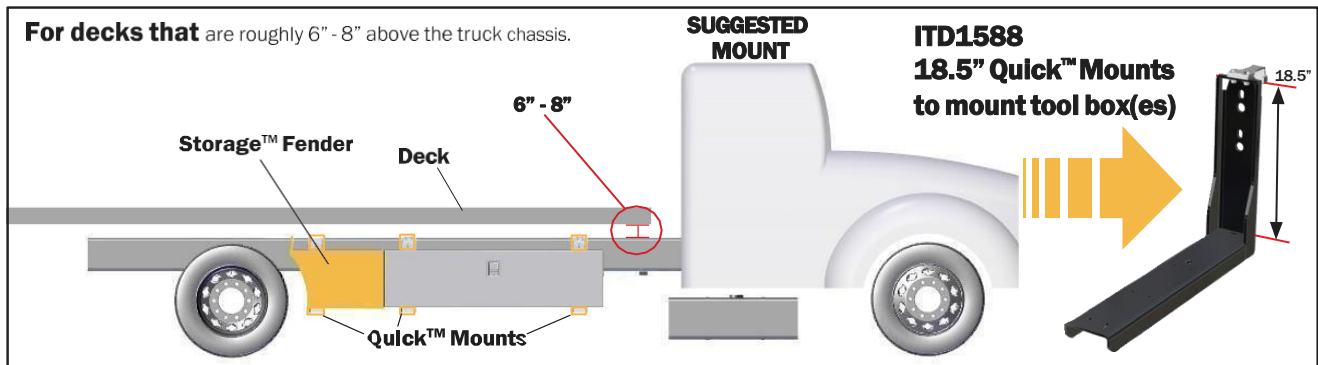
Storage™ Fenders for use with 18.5" Quick™ Mount (ITD1588)				
Part Number	Description	Bottom	Top	Height
ITD2591	Storage™ Fender Set 42.75" (includes 1R&1Lfender with SS Panels installed)	42.75"	50.625"	18.25"
ITD1591 (R-L)	Storage™ Fender 42.75" (with SS Panels installed, Specify Right or Left Fender)	42.75"	50.625"	18.25"
Replacement Parts for 42.75" Storage™ Fenders				
ITD4622 (R-L)	42.75" Stainless Steel Panel (Specify Right or Left Fender)	42.75"	50.625"	18.25"
ITD2592	Storage™ Fender Set 34.75" (includes 1R&1Lfender with SS Panels installed)	34.75"	42.625"	18.25"
ITD1592 (R-L)	Storage™ Fender 34.75" (with SS Panels installed, Specify Right or Left Fender)	34.75"	42.625"	18.25"
Replacement Parts for 34.75" Storage™ Fenders				
ITD4623 (R-L)	34.75" Stainless Steel Panel (Specify Right or Left Fender)	34.75"	42.625"	18.25"
General Replacement Parts				
ITD7117	Rubber Guard Foral storage™ fenders			
ITD6331	Rubber Guard backing plate for all storage™ fenders			



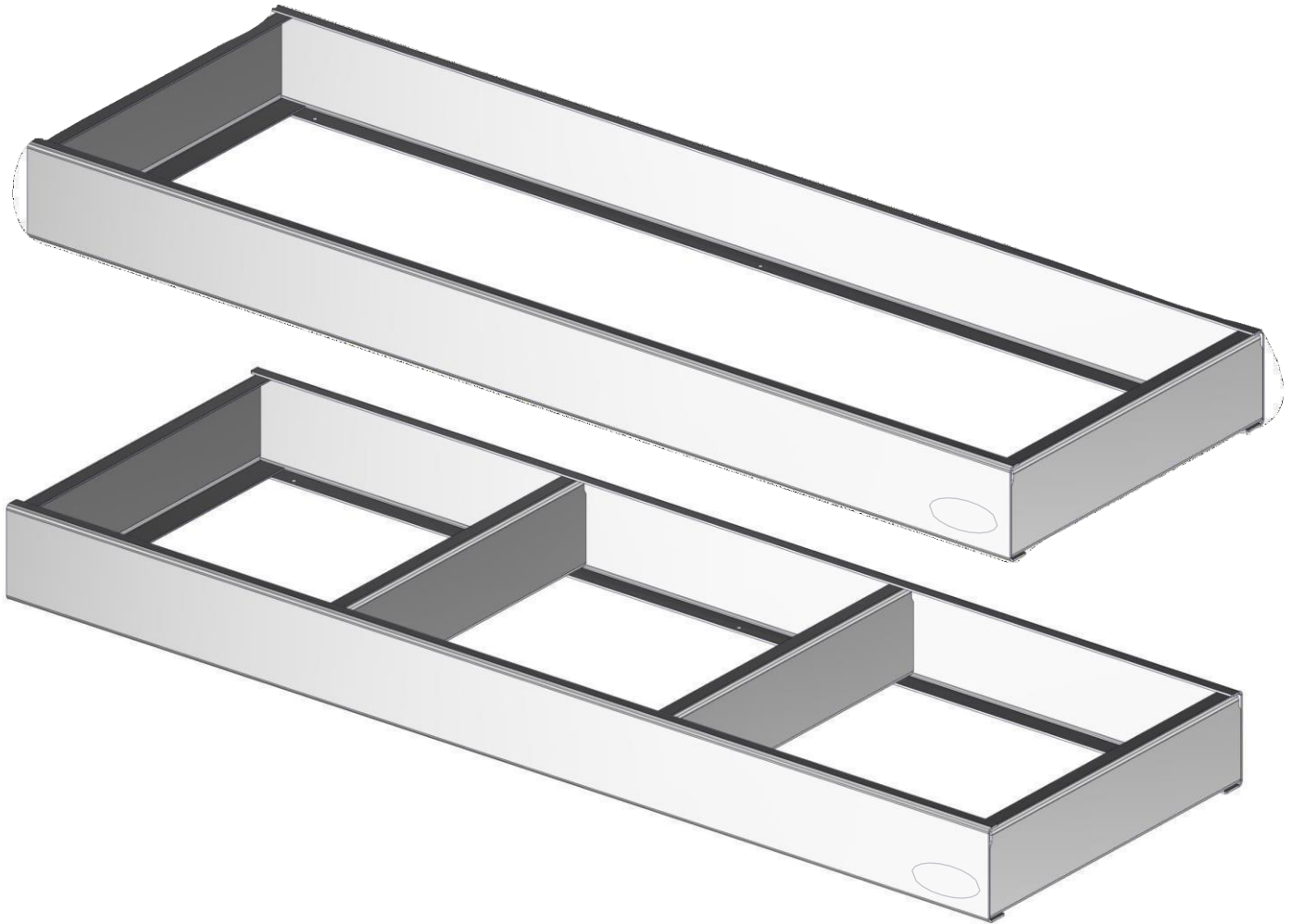
34.75" Storage™ Fender ITD2592



42.75" Storage™ Fender ITD2591




Tool Box Accessories



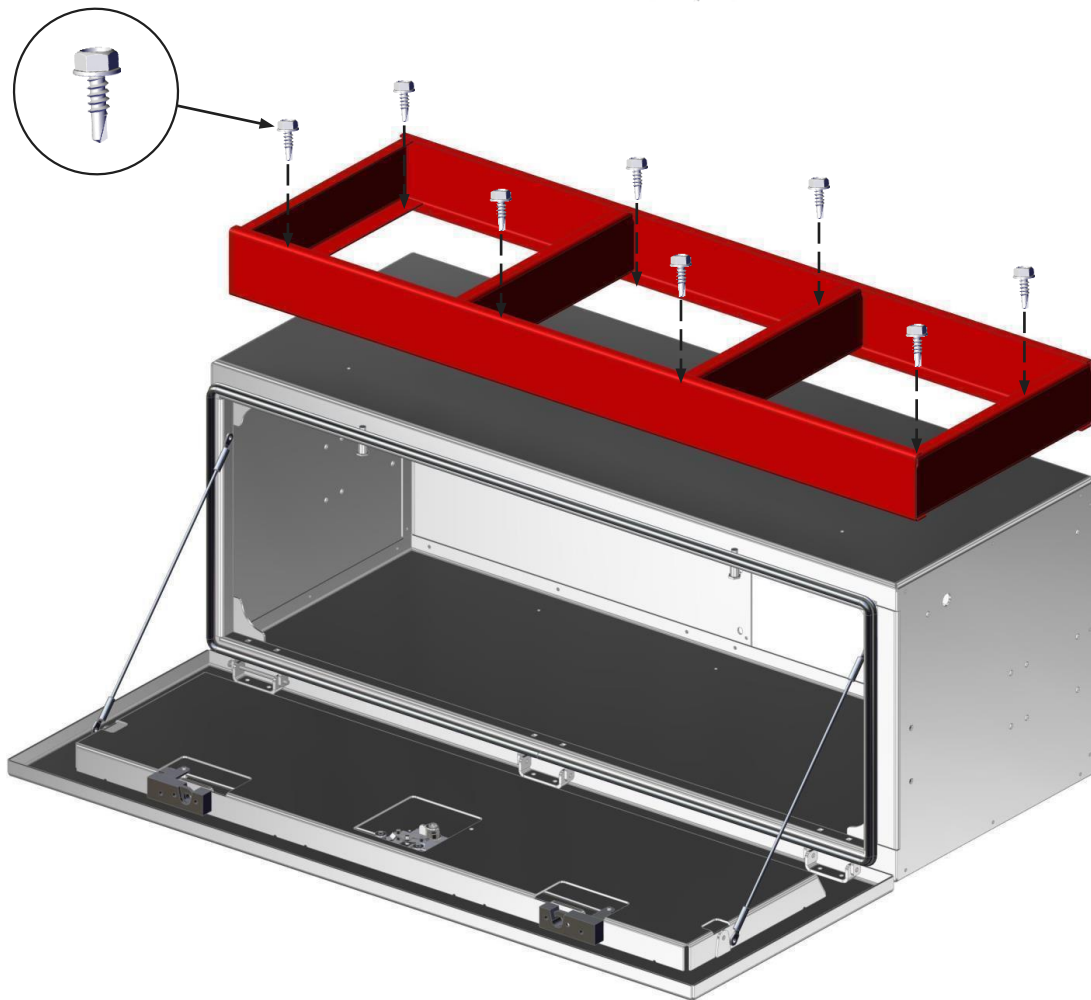
Installation Guide for ITD Box Top Trays
Installed on any Tool Box

48" Box Top shown

	DESCRIPTION	QUANTITY
	#10 Self Drilling Screw	Varies
Alternative Fasteners Include: 3/16" Rivets #10 - 24 Machine Screws and Nuts		



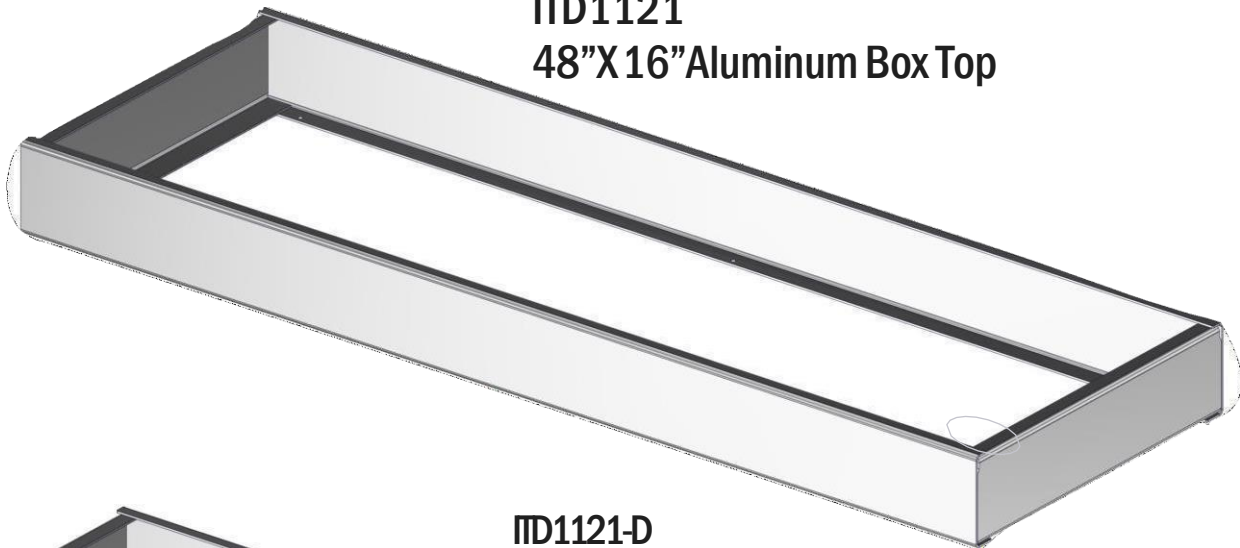
Mounting hardware Not included



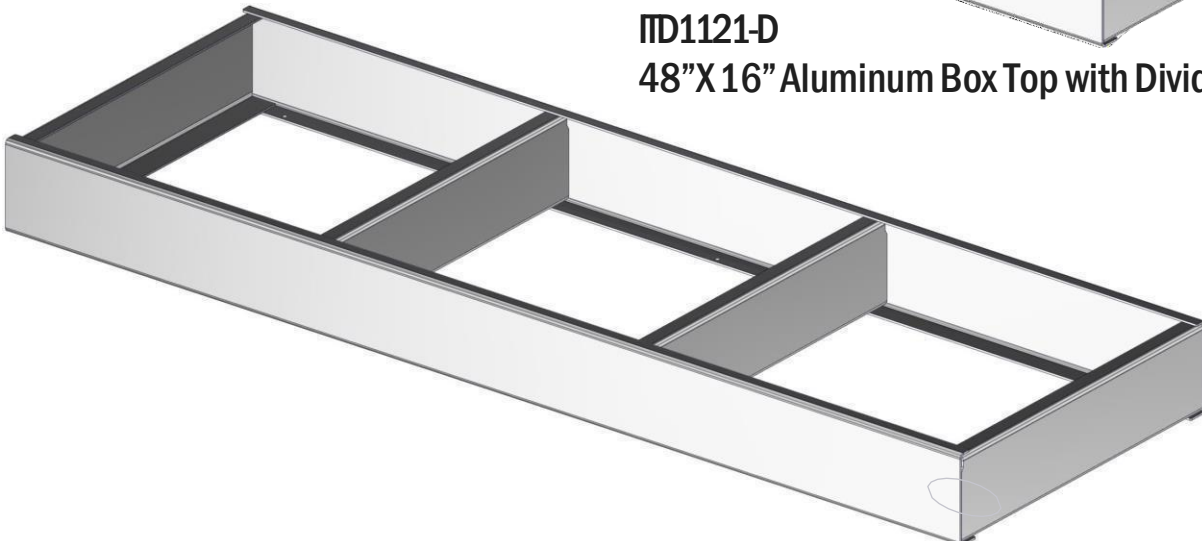
Its up to the installer to ensure proper Installation.

ITD Box Top Trays		
Part #	Description	QTY OF DIVIDERS
ITD1066	36"X 16" Aluminum Box Top Tray	-
ITD1066D	36"X 16" Aluminum Box Top Tray with Dividers	1
ITD1121	48"X 16" Aluminum Box Top Tray	-
ITD1121-D	48"X 16" aluminum Box Top Tray with Dividers	2
ITD1098	60"X 16" Aluminum Box Top Tray	-
ITD1098D	60"X 16" Aluminum Box Top Tray with Dividers	2
ITD1122	65"X 16" Aluminum Box Top Tray	-
ITD1122-D	65"X 16" Aluminum Box Top Tray with Dividers	2
ITD1067	70"X 16" Aluminum Box Top Tray	-
ITD1067-D	70"X 16" Aluminum Box Top Tray with Dividers	2

ITD1121
48"X 16" Aluminum Box Top

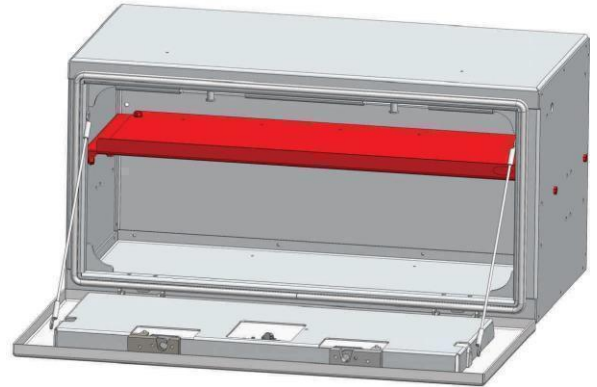


ITD1121-D
48"X 16" Aluminum Box Top with Dividers

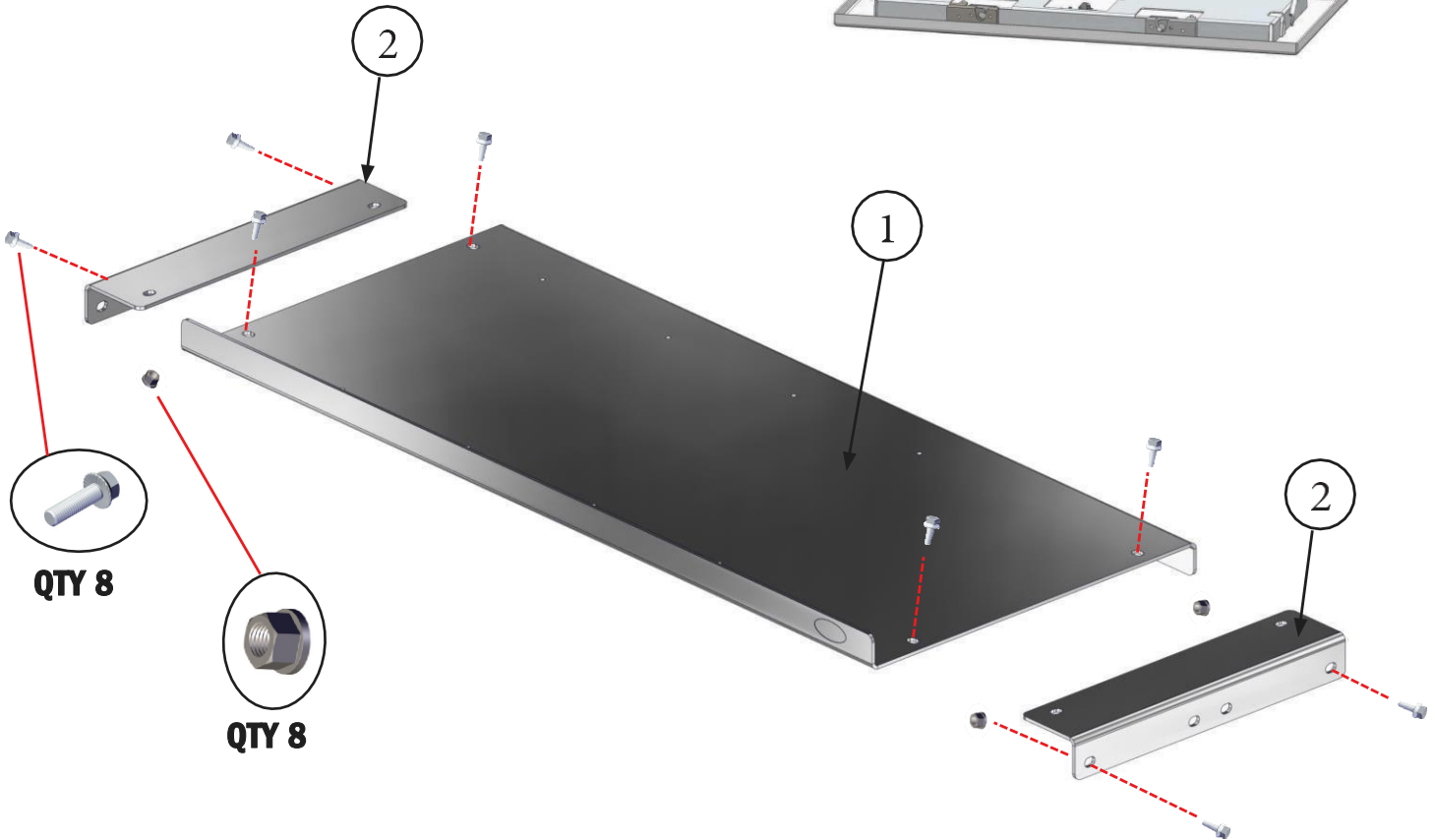


36" (ITD1288) Full Length Shelf Kit			
Item #	Part#	Description	QTY
1	ITD6302	Shelf	1
2	ITD6301	Support Brackets	2

	DESCRIPTION	QUANTITY
	5/16"- 18X 3/4" Flanged Bolt	8
	5/16"- 18 Flanged Nut	8



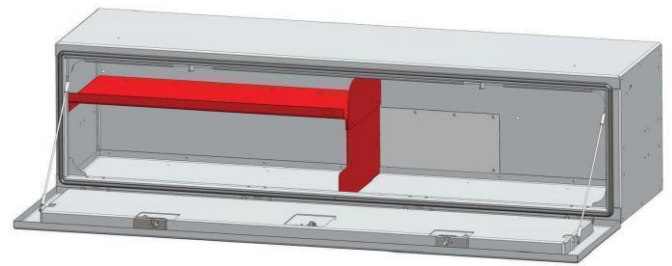
Mounting hardware included.



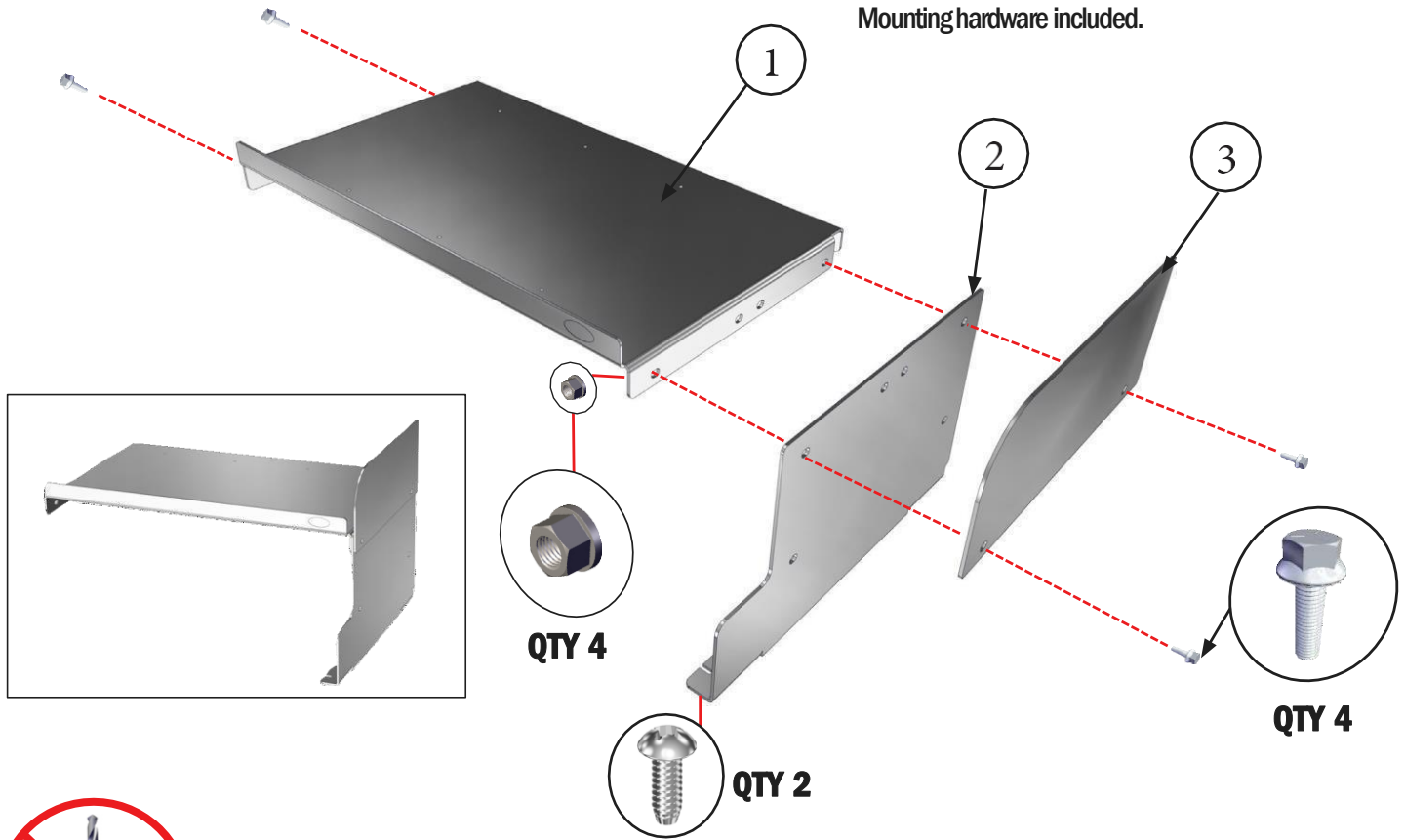
No Drilling Required, Fits ITD Pro Series™ Tool Box Pre Drilled Holes.

48"(ITD1342),60"(ITD1661) or70"(ITD1341) Half Length ShelfKit			
Item #	Part#	Description	QTY
1	ITD6282	48" Replacement Shelf	1
1	ITD1659	60" Replacement Shelf	1
1	ITD6257	70" Replacement Shelf	1
2	ITD6281	Center Support	1
3	ITD1326	Center Divider	1

	DESCRIPTION	QUANTITY
	5/16" - 18X3/4" Flanged Bolt	4
	5/16" - 18 Flanged Nut	4
	#10-24 Self Threaded Screw	2



Mounting hardware included.



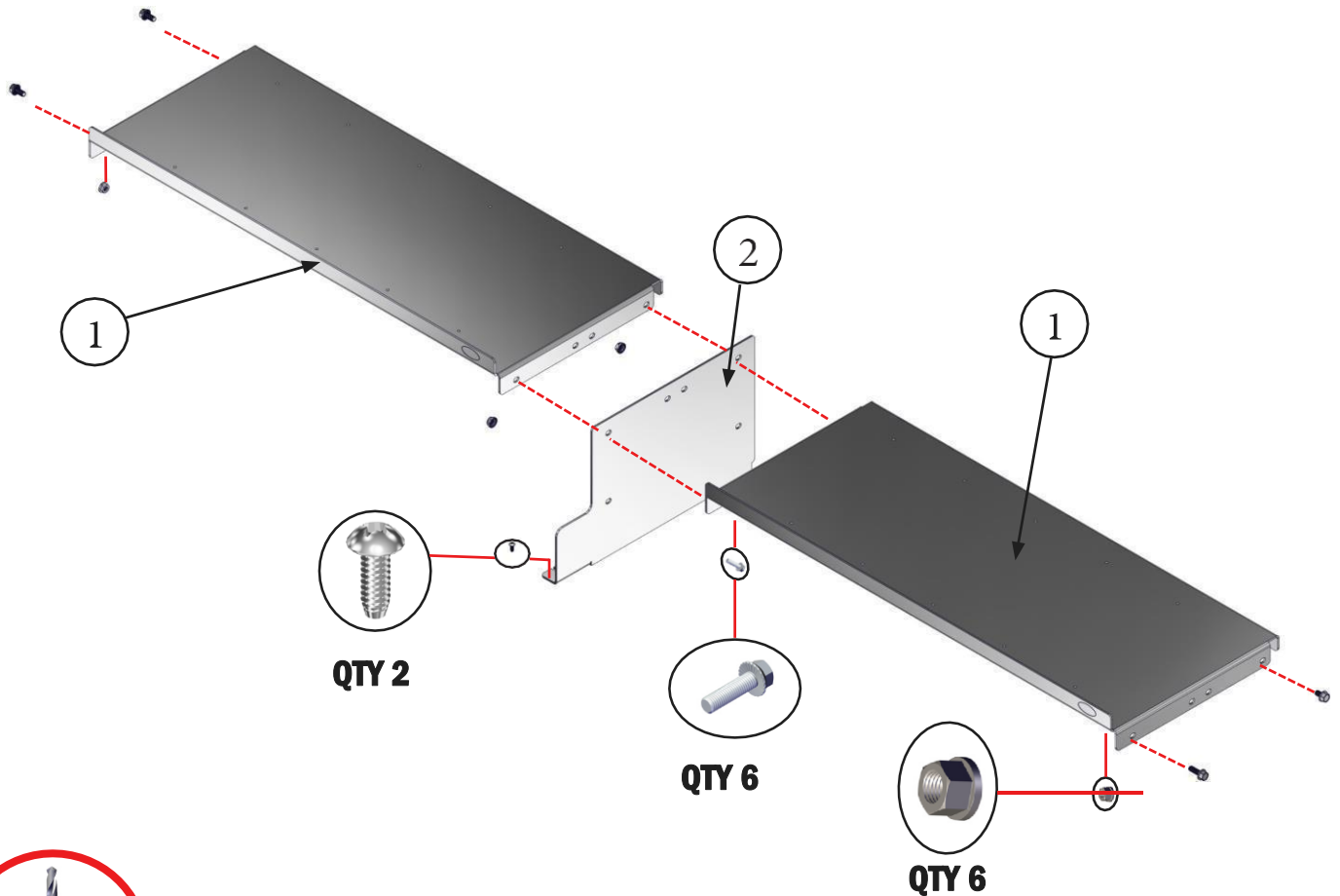
No Drilling Required, Fits ITD Pro Series™ Tool Box Pre Drilled Holes.

48" (ITD1287), 60" (ITD1658) or 70" (ITD1286) Full-length Shelf Kit			
Item #	Part#	Description	QTY
1	ITD6282	48" Replacement Shelf	2
1	ITD1659	60" Replacement Shelf	2
1	ITD6257	70" Replacement Shelf	2
2	ITD6281	Center Support	1

	DESCRIPTION	QUANTITY
	5/16" - 18X 3/4" Flanged Bolt	6
	5/16" - 18 Flanged Nut	6
	#10-24 Self Threaded Screw	2



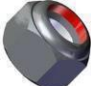



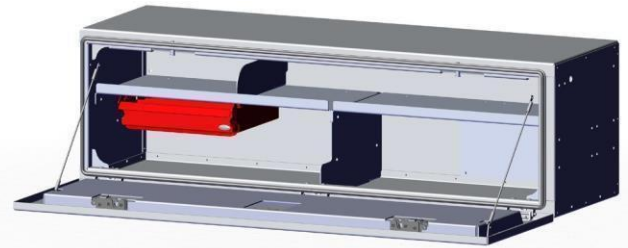
Mounting hardware included.



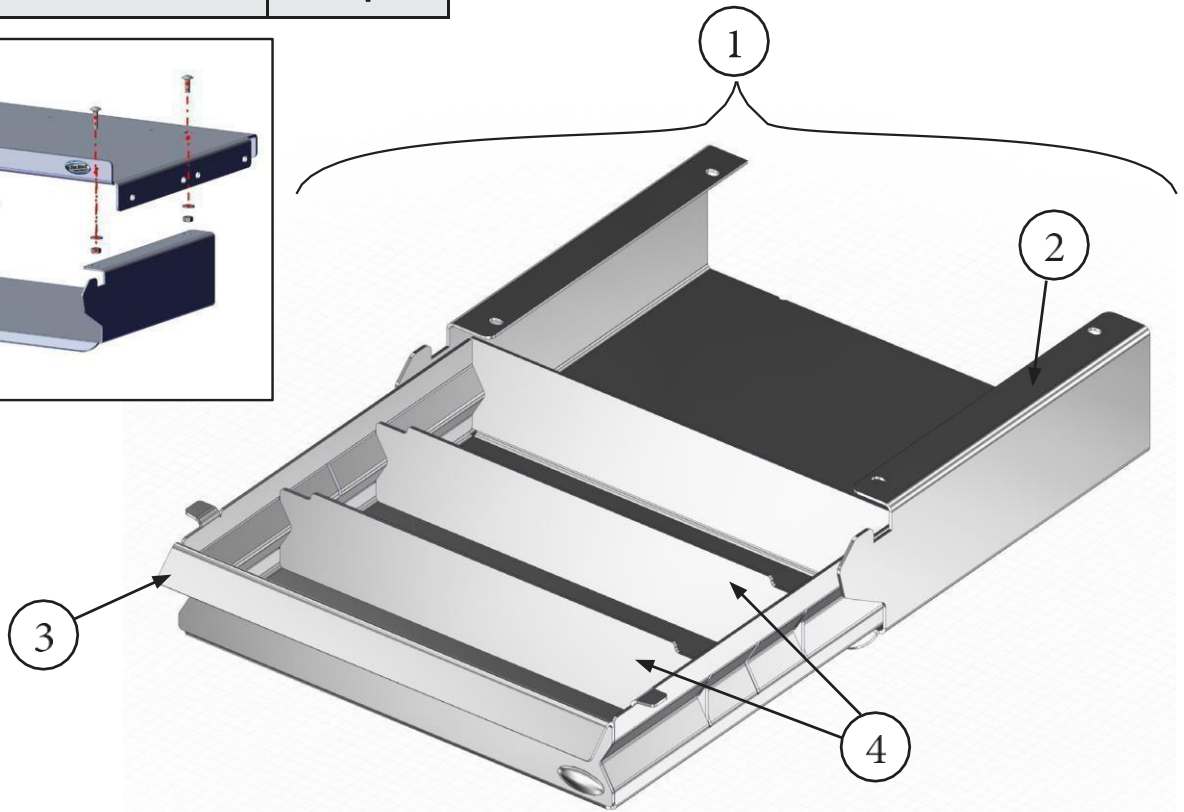
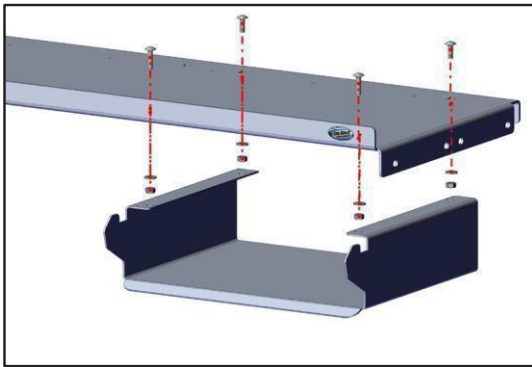
No Drilling Required, Fits ITD Pro Series™ Tool Box Pre Drilled Holes.

Pro Series™ Slide Out Drawer			
Item #	Part#	Description	QTY
1	ITD1613	Pro Series™ Slide Out Drawer (Complete Assembly)	1
2	ITD1614	Slide Out Drawer Bracket	1
3	ITD1615	Slide Out Tray	1
4	ITD1616	Drawer Dividers	2

	DESCRIPTION	QUANTITY
	1/4"-20X1" Carriage Bolt (Front of Shelf)	2
	1/4"-20X3/4" Carriage Bolt (Back of Shelf)	2
	1/4" NY lock Nuts	4
	1/4" Flat Washers	4



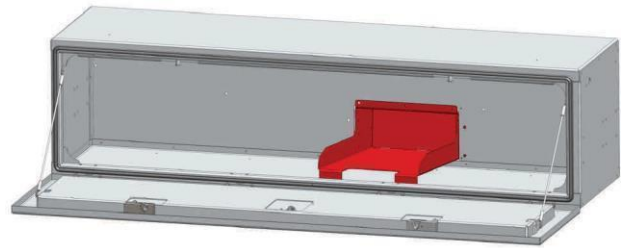
Mounting hardware included.



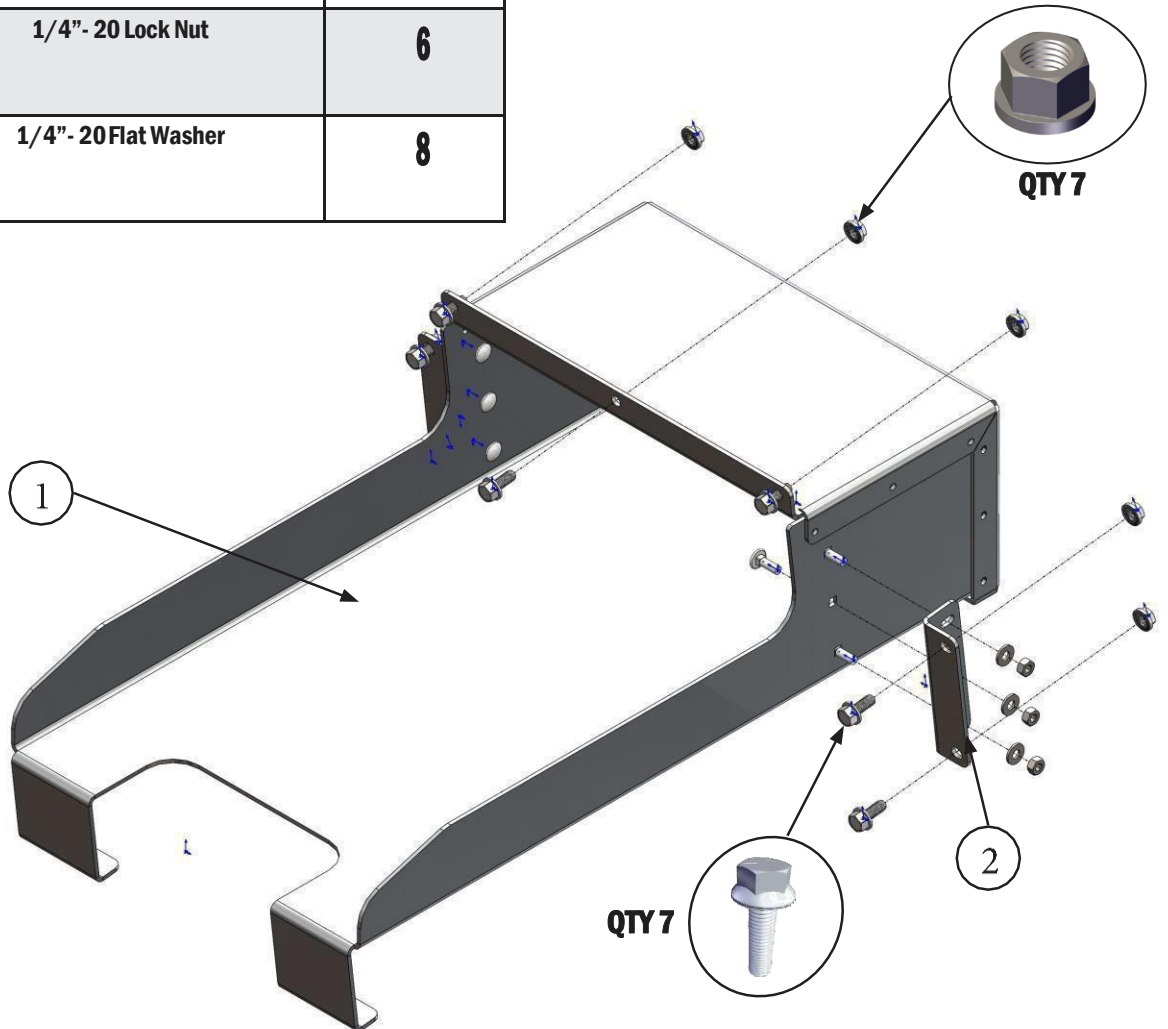
No Drilling Required, Fits Pre Drilled Holes.

Jack Bracket			
Item #	Part#	Description	QTY
1	ITD1284	Main Body	1
2	ITD6295	Angle Support Brackets	2

	DESCRIPTION	QUANTITY
	5/16"- 18X 3/4" Flanged Bolt	7
	5/16"- 18 Flanged Nut	7
	1/4"- 20X 3/4" SS Carriage Bolt	6
	1/4"- 20 Lock Nut	6
	1/4"- 20 Flat Washer	8





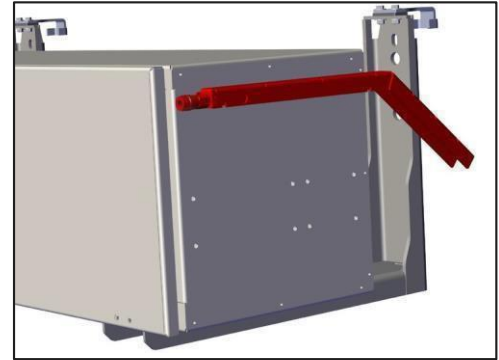
Mounting hardware included.



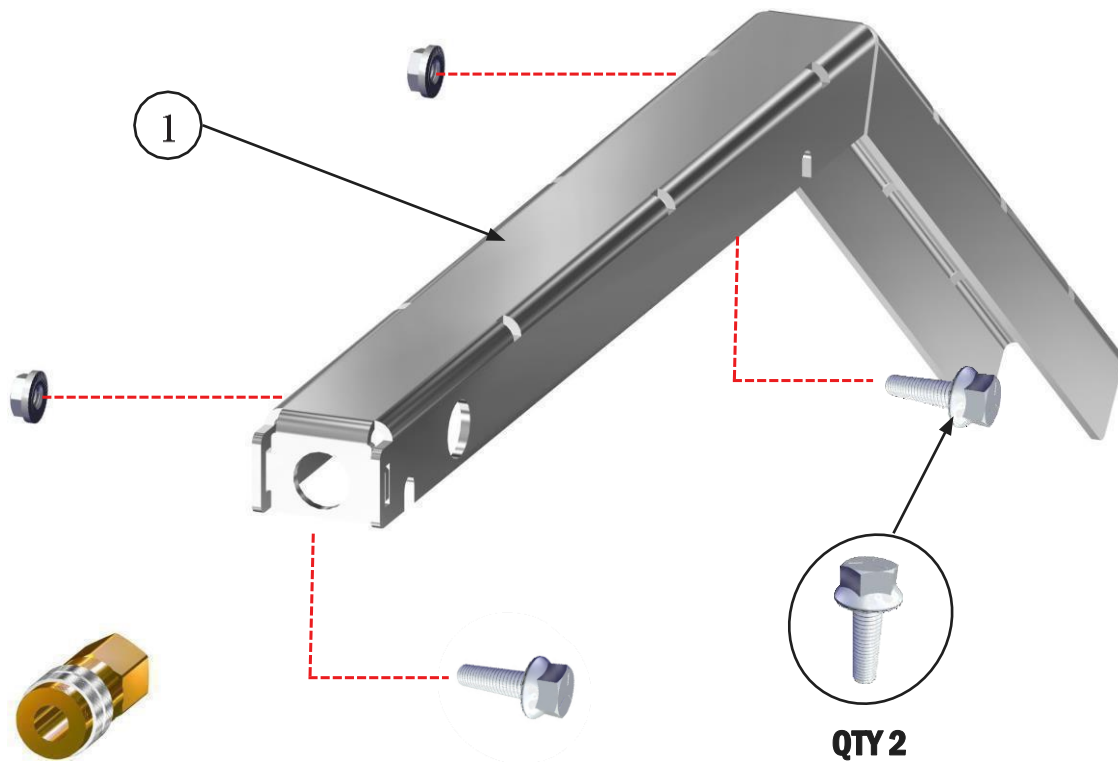
No Drilling Required, Fits ITD Pro Series™ Tool Box Pre Drilled Holes.

Air Fitting and Wiring Bracket			
Item #	Part#	Description	QTY
1	ITD6274	Air Fitting Wiring Bracket	1

	DESCRIPTION	QUANTITY
	5/16"- 18X 3/4" Flanged Bolt	2
	5/16"- 18 Flanged Nut	2



Mounting hardware NOT included.



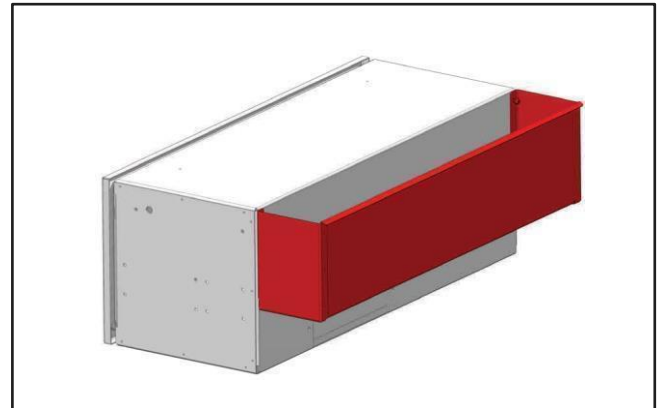
**Air Fitting
Not included**



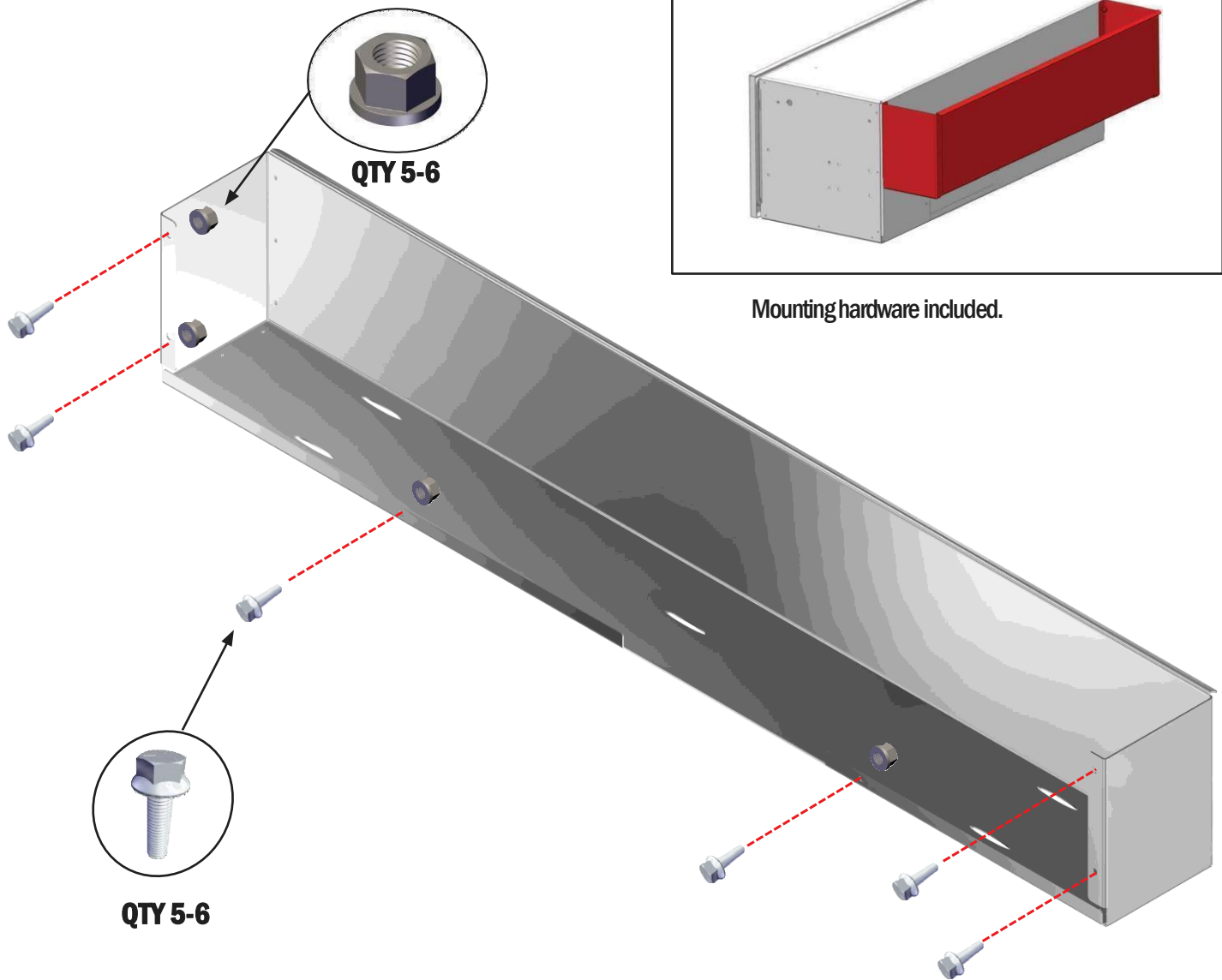
No Drilling Required, Fits ITD Pro Series™ Tool Box Pre Drilled Holes.

Lumber Baskets	
Part#	Description
ITD1280	70" Lumber Basket
ITD1281	60" Lumber Basket
ITD1282	48" Lumber Basket
ITD1283	36" Lumber Basket

	DESCRIPTION	QUANTITY
	5/16" - 18X 3/4" Flanged Bolt	56
	5/16" - 18 Flanged Nut	56


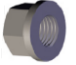



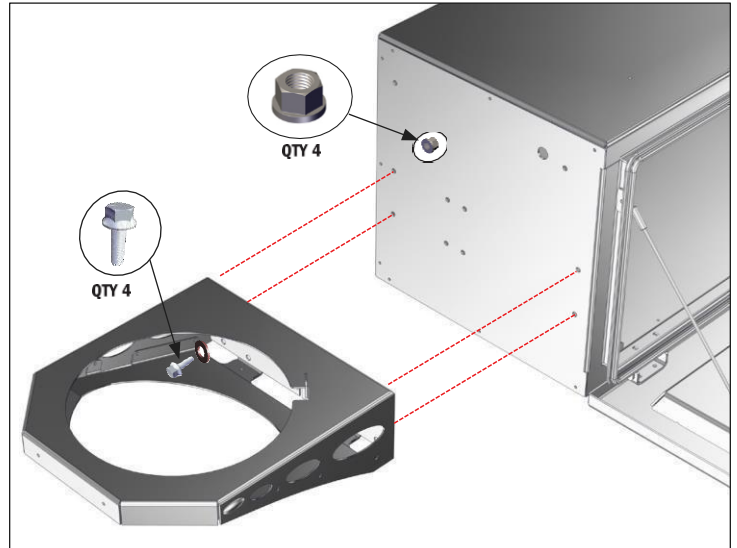
Mounting hardware included.



No Drilling Required, Fits ITD Pro Series™ Tool Box Pre Drilled Holes.

Trash Can Mount Installation

	DESCRIPTION	QUANTITY
	5/6"- 18X 3/4" FLANGED BOLT	4
	5/16"- 18 FLANGED NUT	4
	5/16" Flat Washers	4



Mounting hardware Not included.



No Drilling Required, Fits ITD Pro Series™ Tool Box Pre Drilled Holes.

ITD Trash Can Mounts	
Part#	Description
ITD1374	6Gallon XD™ Trash Can Mount
ITD1378	4Gallon XD™ Trash Can Mount
ITD1270	Dual Trash Can Mount
ITD1056	6Gallon Trash Can Mount
ITD1052	4Gallon Trash Can Mount



6 Gallon XD Trash Can Mount
ITD1374



6 Gallon Trash Can Mount
ITD1056



4 Gallon Trash Can Mount
ITD1052



4 Gallon XD Trash Can Mount
ITD1378



Dual Trash Can Mount
ITD1270



www.intheditch.com

sales@inventive-group.com • 208 -587-7960

2915 Industrial Way • Mountain Home, ID 83647 • USA

DOC0036